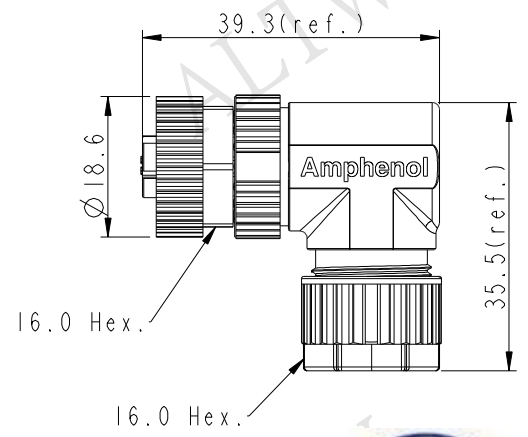
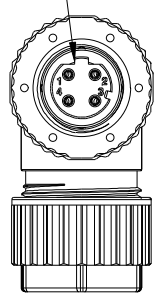
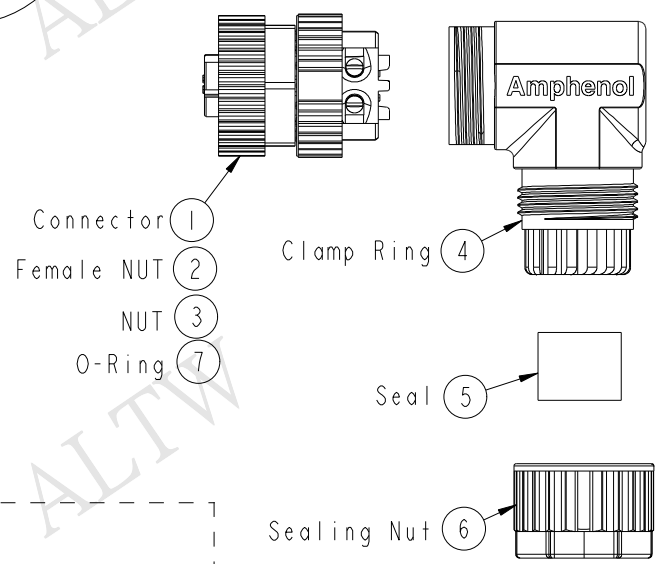


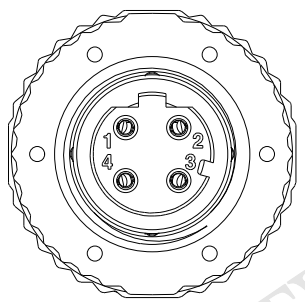
REV.	ECN NO.	DATE	SIGN	DESCRIPTION
A	Initial Release	2015/10/13	Mila	Change Rev.01 To Rev.A

ALTW
CONFIDENTIAL
2015-10-13
R&D DEPT.

360° Adjustable Key Code Direction



ALTW
DCC. DEPT.
CONFIDENTIAL
2015.10.28
ISSUED



Pin Assignments
 Front View

UNIT:mm TOLERANCE ±0.5mm	TITLE M12 D-Code 90° Unshielded Assy 4Pin F Conn. F Pin		Amphenol LTW 安費諾亮泰企業股份有限公司		ITEM NO MSDP-04BFFB-SR7001	DRAWN BY Mila	DATE 2015-10-13
	SCALE 1:1	SIZE A4			SHEET 1 OF 2	DWG NO MSDP-04BFFB-SR7001	CHECKED BY Cary
	REV. A	WC-REV. A.1	QC: Inspection item	CUSTOMER ALTW	APPROVED BY Jerry	DATE 2015-10-13	

THIS DOCUMENT IS SUBJECT TO CHANGE WITHOUT NOTICE. IT IS CONFIDENTIAL AND A PROPERTY OF Amphenol LTW. DISCLOSURE TO THIRD PARTY HAS TO BE AUTHORIZED BY Amphenol LTW.

THIS DOCUMENT IS SUBJECT TO CHANGE WITHOUT NOTICE. IT IS CONFIDENTIAL AND A PROPERTY OF AMPHENOL LTW. DISCLOSURE TO THIRD PARTY HAS TO BE AUTHORIZED BY AMPHENOL LTW.

1 2 3 4 5 6 7 8

F

E

D

C

B

A

M SDP - 04 B F F B - S R 7 001

SDP: D-Code Plastic Nut

04: 4Pin

B: Without S/R(無網尾)

F: Female Connector(母座)

F: Female Pin(母Pin)

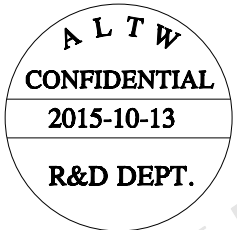
001: Without Cable

7: IP67(防水等級67)

R: Right(90°)

S: Screw(螺紋式)

B: Screw in Type(組裝式)



Note:

- * QC Important Dimension To Check.
- * Waterproof Rate: IP67(Mated)
- * Housing: Nylon, Black
- * Female Pin: Copper Alloy, Gold Plated
- * Female Nut: PBT+PC, Black
- * Nut: PBT+PC, Black
- * O-Ring: Silicon, Grey
- * Clamp Ring: Nylon, Black
- * Sealing Nut: PBT+PC, Black
- * Seal: Silicon, Grey
- * Seal For Cable OD: $\varnothing 4.0\text{mm} \sim \varnothing 7.0\text{mm}$
- * Screws for Wire connection recommended tightening torque: 0.61~0.84 kgf.cm / 0.059~0.082 N.m
- * Applicable Wire gauge (Stranded wire cross section) 0.14mm² (26AWG) ~ 0.82mm² (18AWG)
- * Mating Recommended tightening torque: 3~4 kgf.cm / 0.29~0.39 N.m
- * Sealing-Nut Recommended tightening torque: 4~6 kgf.cm / 0.39~0.59 N.m
- * Detailed applicable wire specifications may vary depending on the actual wire construction.

UNIT:mm	
TOLERANCE	
±0.5mm	

TITLE M12 D-Code 90° Unshielded Assy 4Pin F Conn. F Pin			
SCALE 1:1	SIZE A4	SHEET 2 OF 2	
REV. A	WC-REV. A.1	QC : Inspection item	

Amphenol LTW
安費諾亮泰企業股份有限公司

ITEM NO MSDP-04BFFB-SR7001	DRAWN BY Mila	DATE 2015-10-13
DWG NO MSDP-04BFFB-SR7001	CHECKED BY Cary	DATE 2015-10-13
CUSTOMER ALTW	APPROVED BY Jerry	DATE 2015-10-13

1 2 3 4 5 6 7 8 FMM10702-01-02A1