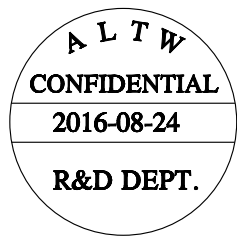
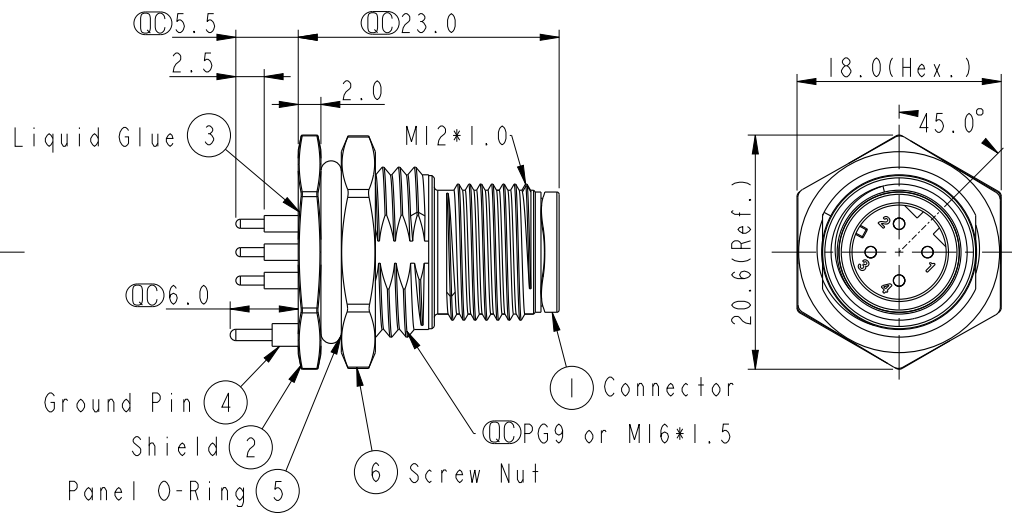
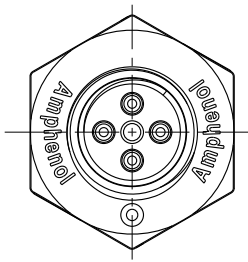
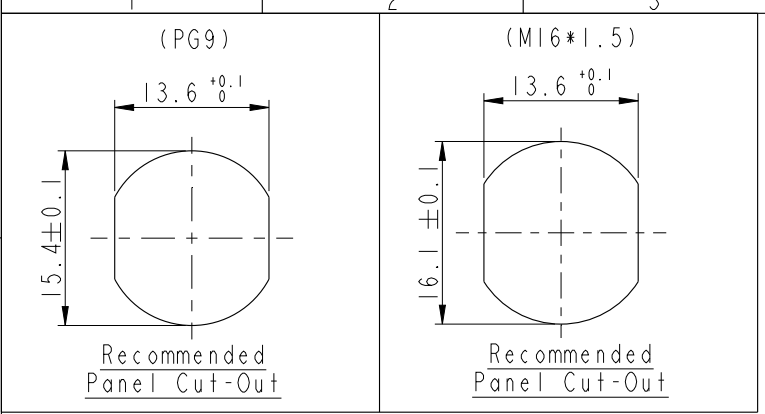
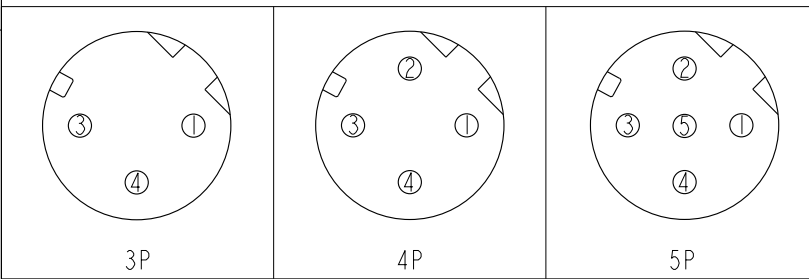


THIS DOCUMENT IS SUBJECT TO CHANGE WITHOUT NOTICE. IT IS CONFIDENTIAL AND A PROPERTY OF Amphenol LTW. DISCLOSURE TO THIRD PARTY HAS TO BE AUTHORIZED BY Amphenol LTW.

REV.	ECN NO.	DATE	SIGN	DESCRIPTION
B	LEN1580027-028	2015/07/24	Yulong_wang	Change to Share Drawing.
C	LEN1690155-156	2016/08/24	Yulong_wang	Add 3, 5 Pin & IP69K.



- Note:
- * \varnothing Important Dimension.
 - $\triangle A$ * Waterproof Rate: IP68, IP69K.
 - * Housing: Nylon+GF, Black.
 - * Male Pin: Copper Alloy, Gold Plated.
 - * Shield: Zinc Alloy, Nickel Plated.
 - * Ground Pin: Copper Alloy, Gold Plated.
 - * Screw Nut: Zinc Alloy, Nickel Plated.
 - * Panel O-Ring: Viton, Black.
 - $\triangle C$ * Rated Voltage: 3 & 4Pin 250V dc. or ac.
5Pin 60V dc. or ac.
 - * Rated Current: 4A
 - * Operating Temperature: -40~+105°C
 - * For Panel Thickness Max 4.5mm.
 - * Recommended Nut Torque: 4-6 Kgf.cm.

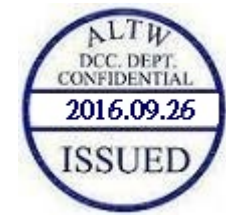
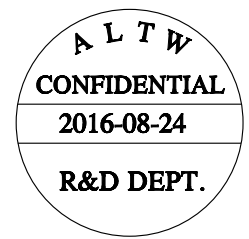


Pin Assignment Front View

UNIT: mm		TITLE		ITEM NO.		DRAWN BY		DATE	
		M12 D-Code Male Conn. PCB Type Shielded		MSDS-XXPMPM-SF8XXX		Yulong_wang		2016-08-24	
		SCALE	SIZE	SHEET	OF	CHECKED BY	DATE		
TOLERANCE		3:2	A4	1	2	Jinhai	2016-08-24		
.X ±0.25		REV.	WC-REV.	\varnothing : Inspection item		APPROVED BY	DATE		
.XX ±0.1		C	A.5			Jerry	2016-08-24		
.XXX ±0.05						CUSTOMER		DATE	
ANGLES ±1°						ALTW			

Amphenol LTW
安費諾亮泰企業股份有限公司

THIS DOCUMENT IS SUBJECT TO CHANGE WITHOUT NOTICE. IT IS CONFIDENTIAL AND A PROPERTY OF Amphenol LTW. DISCLOSURE TO THIRD PARTY HAS TO BE AUTHORIZED BY Amphenol LTW.



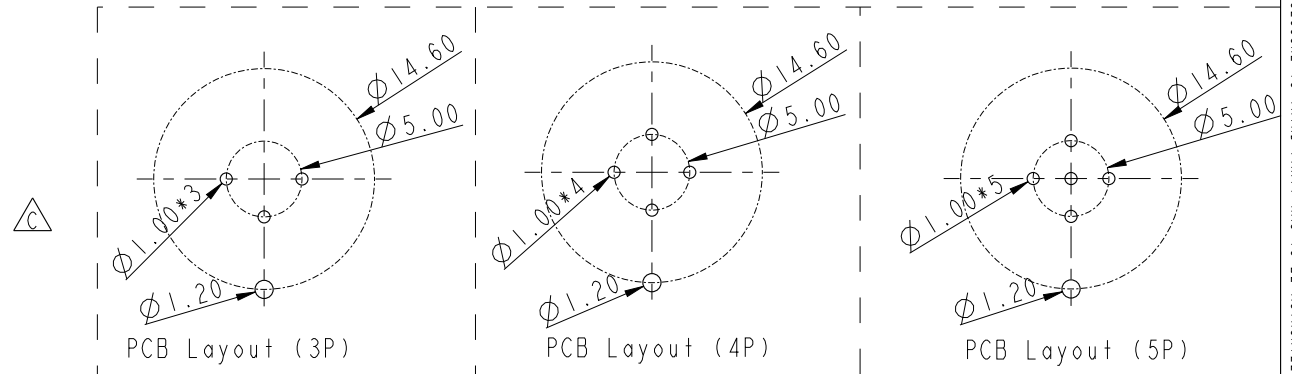
M SDS - XX P M M P - S F 8 XXX

SDS: D-Code Shielded
 03: 3Pin
 04: 4Pin
 05: 5Pin

P: Panel (板端)
 M: Male Connector (公座)
 M: Male Pin (公Pin)

001: PG9
 002: M16*1.5
 8: IP68/69K (防水等級68/69K)

F: Front Fasten (前鎖式/Enclosure Rear Mount)
 S: Screw (螺紋式)
 P: PCB THT/DIP Type (180° 基板插件式)



UNIT: mm		
TOLERANCE	.X	±0.25
	.XX	±0.1
	.XXX	±0.05
ANGLES		±1°

TITLE M12 D-Code Male Conn. PCB Type Shielded			
SCALE 3:2	SIZE A4	SHEET 2 OF 2	
REV. C	WC-REV. A.3	: Inspection item	

Amphenol LTW
安費諾亮泰企業股份有限公司

ITEM NO	DRAWN BY Yulong_wang	DATE 2016-08-24
DWG NO MSDS-XXPMMP-SF8XXX	CHECKED BY Jinhai	DATE 2016-08-24
CUSTOMER ALTW	APPROVED BY Jerry	DATE 2016-08-24

DATE 2016-08-24
DATE 2016-08-24
DATE 2016-08-24