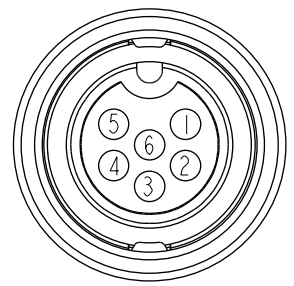
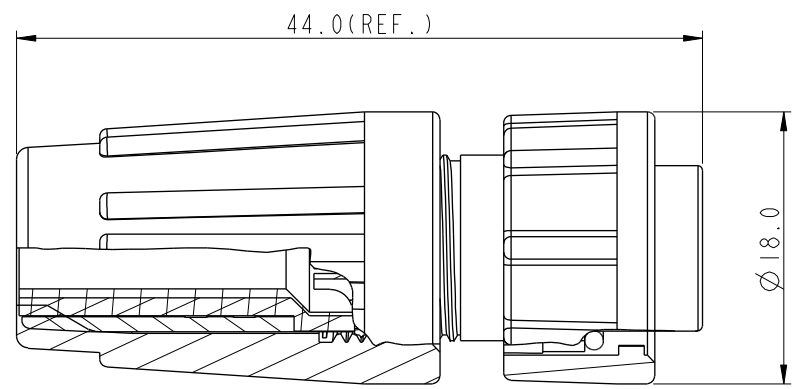
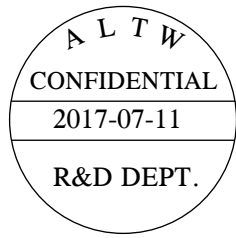
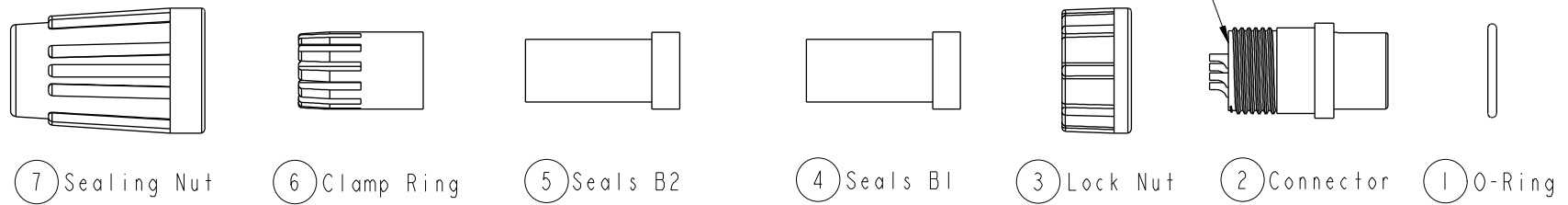


THIS DOCUMENT IS SUBJECT TO CHANGE WITHOUT NOTICE. IT IS CONFIDENTIAL AND A PROPERTY OF AMPHENOL LTW. DISCLOSURE TO THIRD PARTY HAS TO BE AUTHORIZED BY AMPHENOL LTW.

| | | | | |
|------|------------|------------|-------|-------------|
| REV. | ECN NO. | DATE | SIGN | DESCRIPTION |
| B | LEN1770150 | 2017/07/11 | Vicky | Update Note |



Pin Assignments
Front View 前視圖

Note:

- * \varnothing Important Dimension
- * Waterproof Rate: IP66
- * Ring: EPDM, Black
- * Housing: Nylon+GF, Black
- * Male Pin: Copper Alloy, Gold Plated
- * Lock Nut: Nylon+GF, Black
- * Seals: EPDM, Black
- * Clamping Ring: Nylon+GF, Black
- * Sealing Nut: Nylon+GF, Black
- * PE Bag: 90mm*85mm
- * Liquid Glue: Clear
- * Seals B1 for Cable OD: \varnothing 4.5mm~ \varnothing 6.5mm
(防水墊圈B1線徑: \varnothing 4.5mm~ \varnothing 6.5mm)
- * Seals B2 for Cable OD: \varnothing 3.5mm~ \varnothing 5.3mm
(防水墊圈B2線徑: \varnothing 3.5mm~ \varnothing 5.3mm)
- * One Set Unassembled in One PE Bag
(每一組未組裝, 放置於一個PE袋, 並封口)

| | | | |
|---|----------------|---------------------------------|--|
| UNIT: mm | | | TITLE Standard, Assy Lock 6Pin F Conn M Pin |
| TOLERANCE .X ±0.25 .XX ±0.1 .XXX ±0.05 ANGLES ±1° | SCALE 1:1 | SIZE A4 | SHEET 1 OF 1 |
| REV. B | WC-REV. A.2 | \varnothing : Inspection item | |

Amphenol LTW
安費諾亮泰企業股份有限公司

| | | |
|------------------------------|--------------------|--------------------|
| ITEM NO. BD-06BFMA-LL6001 | DRAWN BY Vicky | DATE 2017-07-11 |
| DWG NO. BD-06BFMA-LL6001 | CHECKED BY Rita | DATE 2017-07-11 |
| CUSTOMER ALTW | APPROVED BY Max | DATE 2017-07-11 |