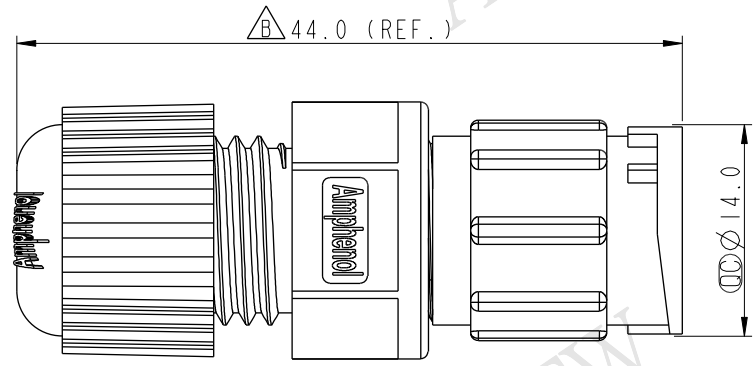
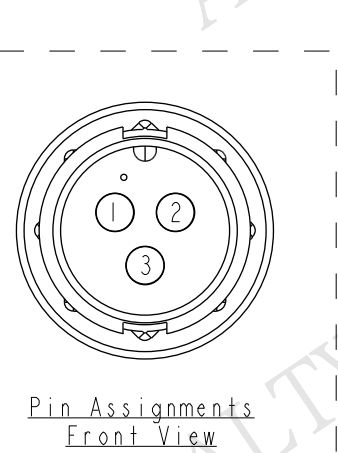
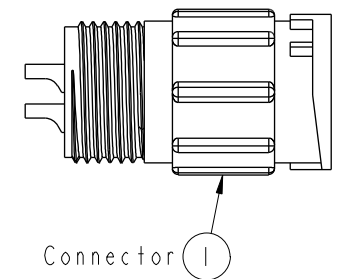
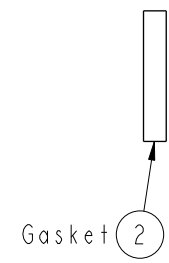
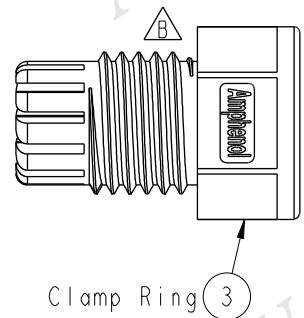
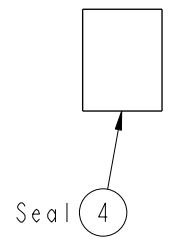
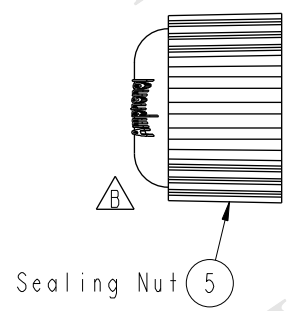
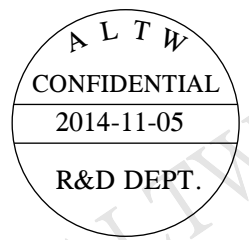


THIS DOCUMENT IS SUBJECT TO CHANGE WITHOUT NOTICE. IT IS CONFIDENTIAL AND A PROPERTY OF Amphenol LTW. DISCLOSURE TO THIRD PARTY HAS TO BE AUTHORIZED BY Amphenol LTW.

REV.	ECN NO.	DATE	SIGN	DESCRIPTION
B	LEN14B0104	2014/11/05	Vicky	Update Logo & Dimension



- Note:
- * \varnothing Important Dimension.
 - * Waterproof Rate: IP67
 - * Housing: Nylon+GF, Black
 - * Male Pin: Copper Alloy, Gold Plated
 - * Gasket: EPDM, Black
 - * Clamp Ring: Nylon, Black
 - * Seal: EPDM, Black
 - * Sealing Nut: Nylon, Black
 - * Seal For Cable OD: $\varnothing 4.5\text{mm} \sim \varnothing 6.5\text{mm}$
(防水墊圈線徑: $\varnothing 4.5\text{mm} \sim \varnothing 6.5\text{mm}$)
 - * One Set Unassembled In One PE Bag
(每一組未組裝, 放置於一個PE袋, 並封口)

UNIT:mm TOLERANCE .X ±0.25 .XX ±0.1 .XXX ±0.05 ANGLES ±1°	TITLE Standard Assy Lock 3Pin M Conn M Pin		Amphenol LTW 安費諾亮泰企業股份有限公司		ITEM NO	BB-03BMM-LL7001	DRAWN BY	Vicky	DATE	2014-11-05		
	SCALE	3:2			SIZE	A4	DWG NO	BB-03BMM-LL7001	CHECKED BY	Sam	DATE	2014-11-05
	REV.	B			WC-REV.	A.3	CUSTOMER	ALTW	APPROVED BY	Rita	DATE	2014-11-05
	REV. B WC-REV. A.3 \varnothing : Inspection item											