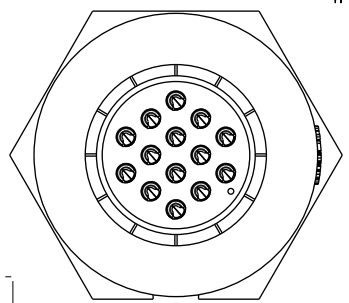
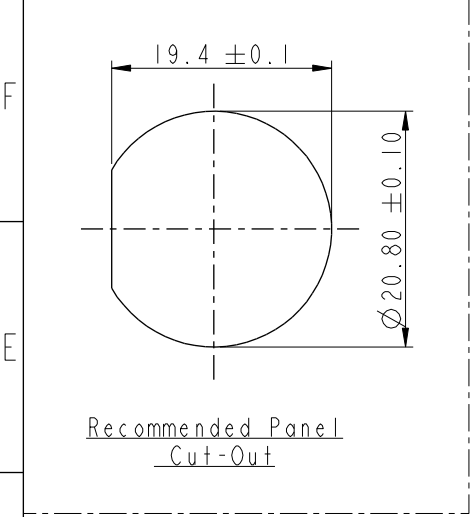
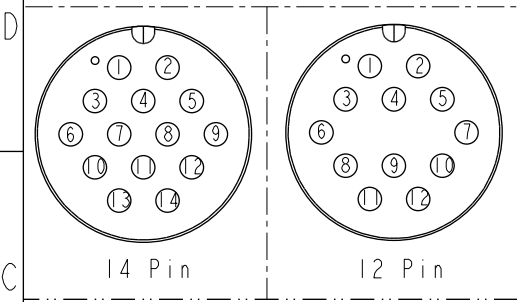
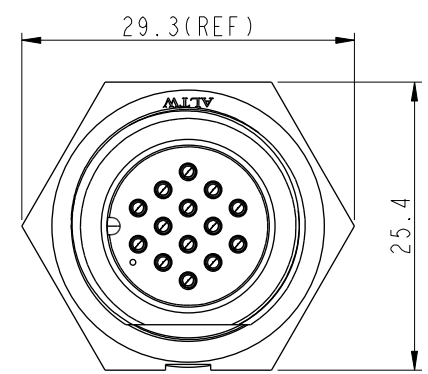
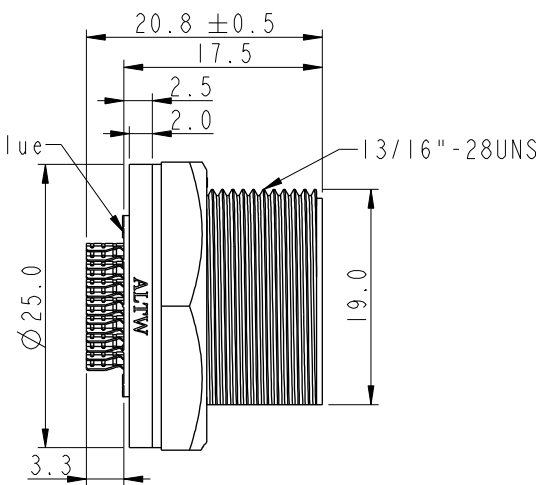


THIS DOCUMENT IS SUBJECT TO CHANGE WITHOUT NOTICE. IT IS CONFIDENTIAL AND A PROPERTY OF AMPHENOL LTW. DISCLOSURE TO THIRD PARTY HAS TO BE AUTHORIZED BY AMPHENOL LTW.

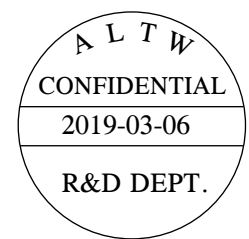
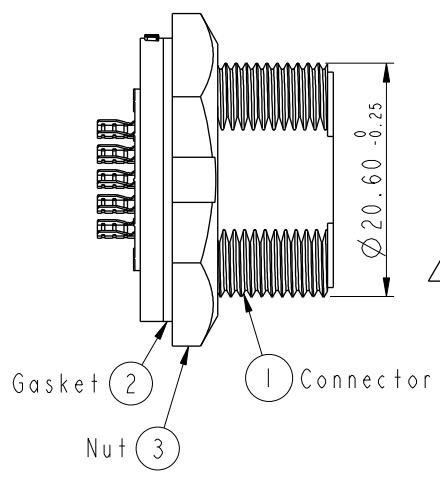
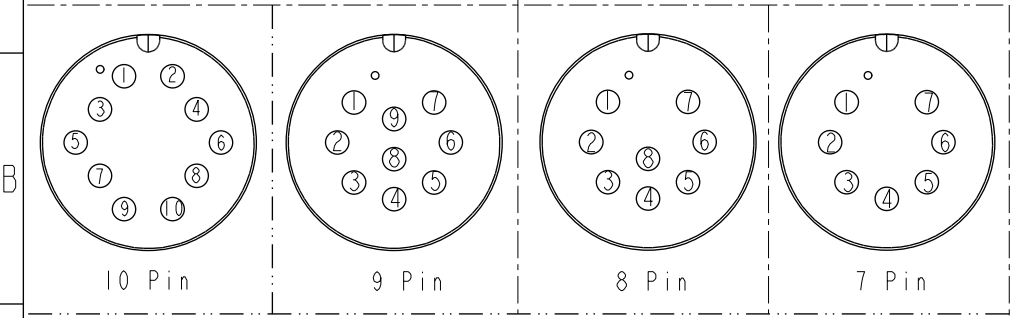
| REV. | ECN NO. | DATE | SIGN | DESCRIPTION |
|------|---------|------------|-------|-------------|
| B | C190348 | 2019/03/06 | Vicky | Change Note |



With Liquid Glue



ACD-XXPMMS-SC7001
07:7Pin
14:14Pin



- Note:**
- * CC Important Dimension To Check.
 - * Waterproof Rate: IP67, Unmated.
 - * Housing: Thermoplastic, Black.
 - * Pin: Copper Alloy, Gold Plated.
 - * Gasket: Rubber, Gray.
 - * Nut: Thermoplastic, Black.
 - * Use with waterproof cap or dust cap
Maximum Panel Thickness: 2.3mm
 - * Use without waterproof cap or dust cap
Maximum Panel Thickness: 3.5mm
 - * Gasket and Nut are packed separately in PE bags. (Gasket/Nut 不組裝, 散裝出貨)

| | | | | |
|-----------|-------|---------------------------------------------|---------|-------------------------------|
| UNIT: mm | | TITLE MIDDLE PANEL SCREW M CONN M PIN | | |
| TOLERANCE | | SCALE | SIZE | SHEET |
| .X | ±0.25 | 3:2 | A4 | 1 OF 1 |
| .XX | ±0.1 | REV. | WC-REV. | |
| .XXX | ±0.05 | B | A.2 | CC : Inspection item |
| ANGLES | ±1° | | | |

Amphenol LTW
安費諾亮泰企業股份有限公司

| | | |
|-------------------|-------------|------------|
| ITEM NO. | DRAWN BY | DATE |
| | Vicky | 2019-03-06 |
| DWG NO. | CHECKED BY | DATE |
| ACD-XXPMMS-SC7001 | Rita | 2019-03-06 |
| CUSTOMER | APPROVED BY | DATE |
| ALTW | Max | 2019-03-06 |