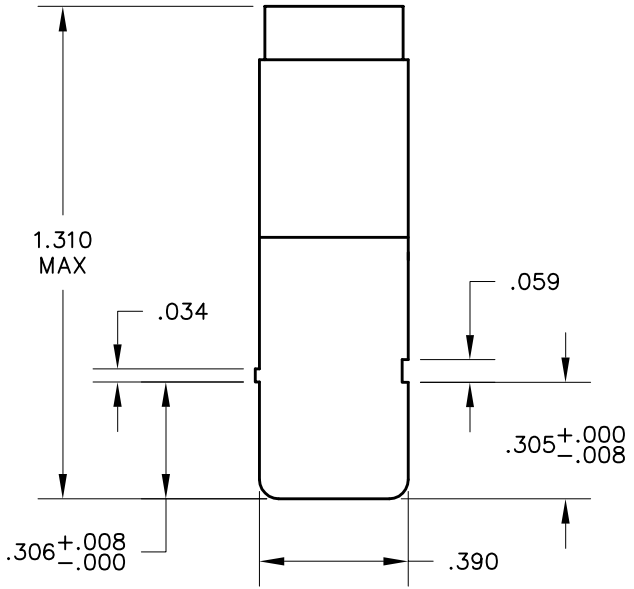
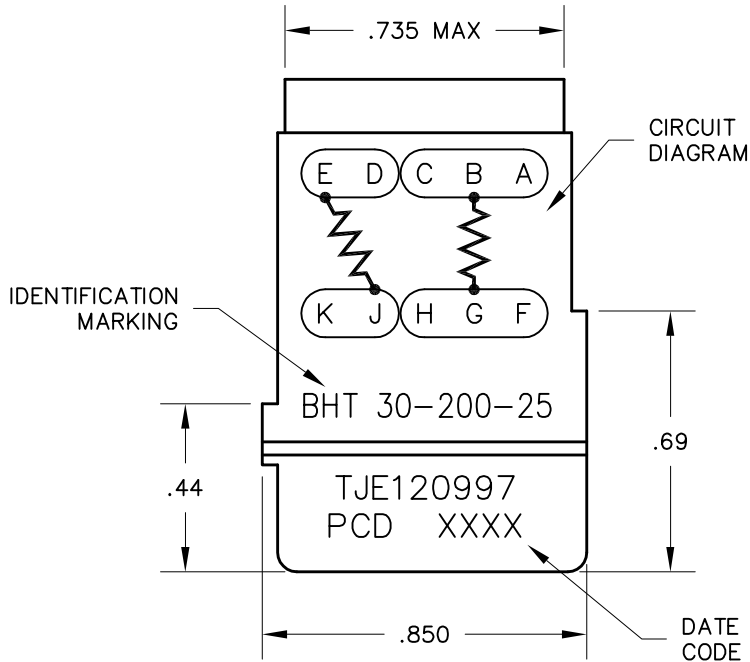
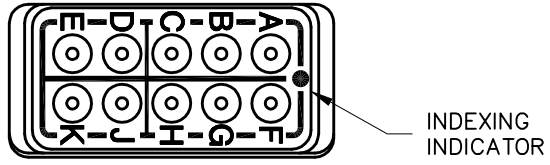


REV	ECN	APP'D
D		



NOTES:
 1. MATERIALS:
 HOUSING - POLYETHERIMIDE, COLOR: BLACK.
 GROMMET - SILICONE ELASTOMER, COLOR: BLUE
 RESISTORS - 100Ω±5%, 1/4 W, RLR07C101JS, QTY: 2
 2. MODULE ACCEPTS M39029/1-101 PIN CONTACTS
 (NOT INCLUDED)

DIMENSIONS ANSI Y14.5M UNITS: INCHES ACAD FILE	TOLERANCES .XX ±.01 .XXX ±.005 ANGLES ±2°	PROJECTION 	SPECIFICATION DRAWING			TITLE ELECTRONIC MODULE RESISTOR, 100Ω, 1/4W RLR07C101JS	
			ENGR A. PATRIE 3/24/03				
ORIGINAL	THIS DOCUMENT CONTAINS PROPRIETARY INFORMATION WHICH IS THE CONFIDENTIAL PROPERTY OF PCD, INC. PEABODY, MA, USA	CHKD		SIZE A	DWG NO. TJE120997	REV D	
		APPD		CODE: 58982	SCALE: 2X	SHEET 1 OF 1	