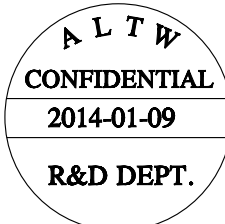
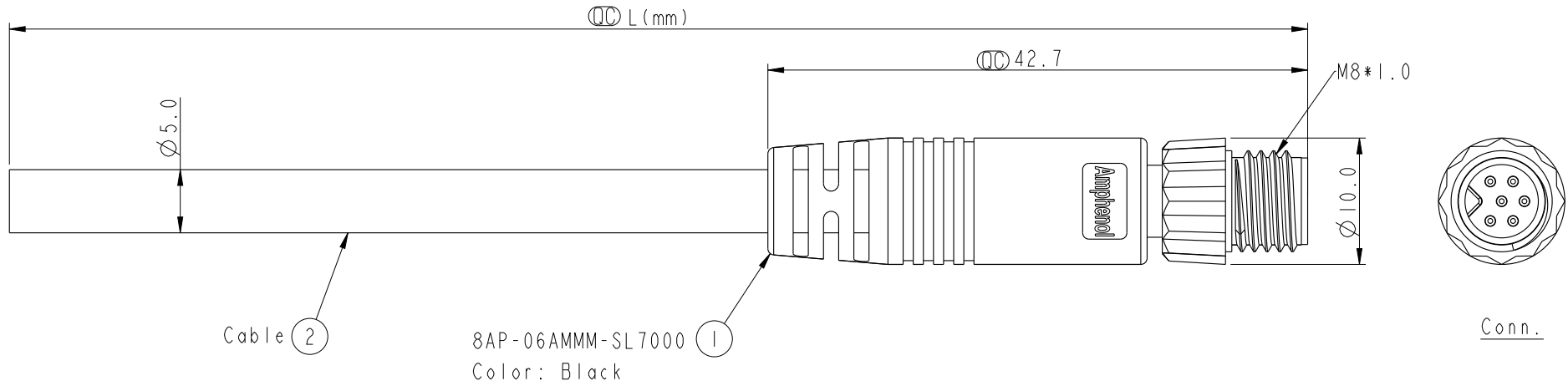


THIS DOCUMENT IS SUBJECT TO CHANGE WITHOUT NOTICE. IT IS CONFIDENTIAL AND A PROPERTY OF Amphenol LTW. DISCLOSURE TO THIRD PARTY HAS TO BE AUTHORIZED BY Amphenol LTW.

REV.	ECN NO.	DATE	SIGN	DESCRIPTION

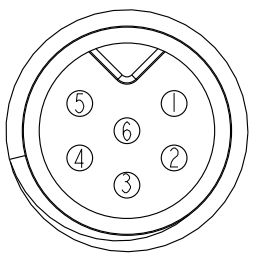


8AP-06AMMM-SL7AXX

XX: 01~99Meters
 01: 01Meter
 02: 02Meter
 ...
 99: 99Meters

Cable Length(L): 01~99Meters

- Note:
- * ③ Important Dimension.
 - * Waterproof Rate: IP67.
 - * Connector: PU, Black.
 - * Male Pin: Copper Alloy, Gold Plated.
 - * Screw Nut: Nylon+GF, Black.
 - * Cable: UL2464 24AWG*6C+Al/Mylar, PVC Jacket, UV Resistant, OD=5.0, Black.
 - * Cable Length Tolerance:
 - 01M: ±40mm
 - 02~05M: ±60mm
 - 06~10M: ±100mm
 - 11~30M: ±200mm
 - 31~99M: ±500mm



Pin	Wire Color	Pin Out
6	Green 綠	6
5	Yellow 黃	5
4	Orange 橘	4
3	Red 紅	3
2	Brown 棕	2
1	Black 黑	1
Conn.	Wire Color	Pin Out

UNIT:mm		TITLE
TOLERANCE	±0.5 mm	M8 6Pin Cable M Conn. M Pin
SCALE	2:1	SHEET 1 OF 1
REV.	A	WC-REV. A.2
		③: Inspection item

Amphenol LTW
 安費諾亮泰企業股份有限公司

ITEM NO	DRAWN BY	DATE
DWG NO	CHECKED BY	DATE
CUSTOMER	APPROVED BY	DATE
8AP-06AMMM-SL7AXX	Mila	2014-01-09
ALTW	Jimmy	2014-01-09
	Jerry	2014-01-09