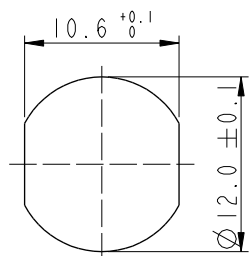


THIS DOCUMENT IS SUBJECT TO CHANGE WITHOUT NOTICE. IT IS CONFIDENTIAL AND A PROPERTY OF Amphenol LTW. DISCLOSURE TO THIRD PARTY HAS TO BE AUTHORIZED BY Amphenol LTW.

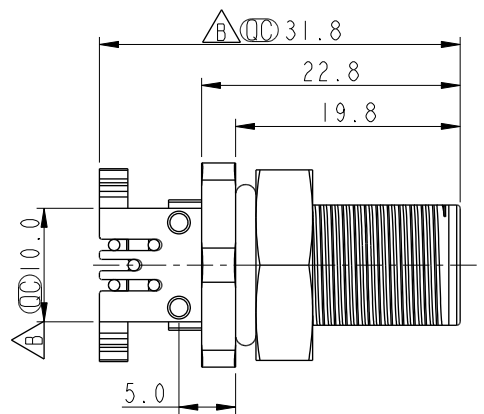
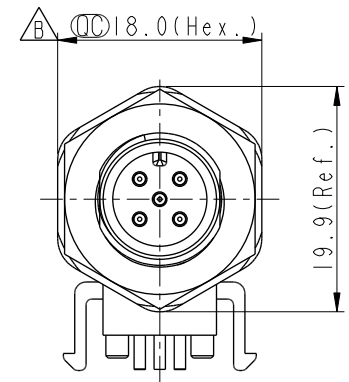
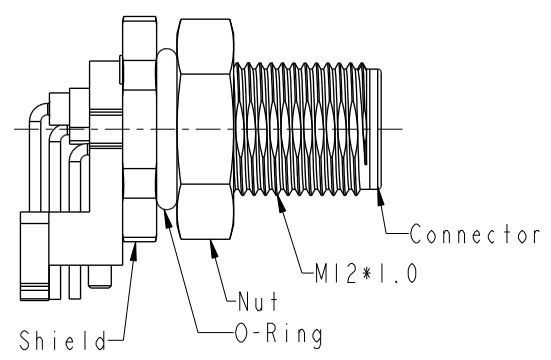
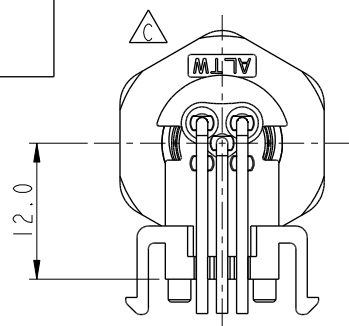
REV.	ECN NO.	DATE	SIGN	DESCRIPTION
B	C210309	2021/03/05	Ruru	$\triangle B$ X7
C	C211126	2021/07/14	Ruru	$\triangle C$ XI



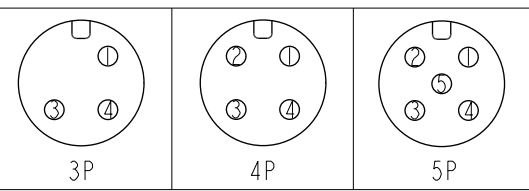
$\triangle B$   
MSAP-XXPMMR-SF8003

XX: No. Of Pin

Recommended  
Panel Cut-Out



- $\triangle B$ Note:
- \* RoHS Compliant
  - \*  $\text{⌀}$  Important dimension
  - \* Waterproof rate: IPX8, unmated 1m/24h
  - \* Connector
  - Housing: Thermoplastic, Black
  - Pin: Copper alloy, Gold plated
  - \* Shield: Thermoplastic, Black
  - \* Nut: Thermoplastic, Black
  - \* O-Ring: Rubber, Gray
  - \* For panel thickness max: 4.0mm
  - \* For pcb thickness max: 1.6mm
  - \* Nut is packed separately in pe bag



Pin Assignment Front View

UNIT:mm	$\text{⌀}$	$\text{⌀}$
TOLERANCE		
.X	$\pm 0.25$	
.XX	$\pm 0.1$	
.XXX	$\pm 0.05$	
ANGLES	$\pm 1^\circ$	

TITLE N SEN, M12 A -PLASTIC, SCREW RECEPTACLE, M, M, PCB R $\triangle B$			
SCALE 3:2	SIZE A4	SHEET 1 OF 2	
REV. C	WC-REV. A.2	$\text{⌀}$ : Inspection item	

**Amphenol LTW**  
安費諾亮泰企業股份有限公司

ITEM NO	DRAWN BY Yulong_wang	DATE 2016-12-07
DWG NO MSAP-XXPMMR-SF8003	CHECKED BY Jinhai	DATE 2016-12-07
CUSTOMER ALTW	APPROVED BY Jerry	DATE 2016-12-07

THIS DOCUMENT IS SUBJECT TO CHANGE WITHOUT NOTICE. IT IS CONFIDENTIAL AND A PROPERTY OF Amphenol LTW. DISCLOSURE TO THIRD PARTY HAS TO BE AUTHORIZED BY Amphenol LTW.

1 2 3 4 5 6 7 8

F

E

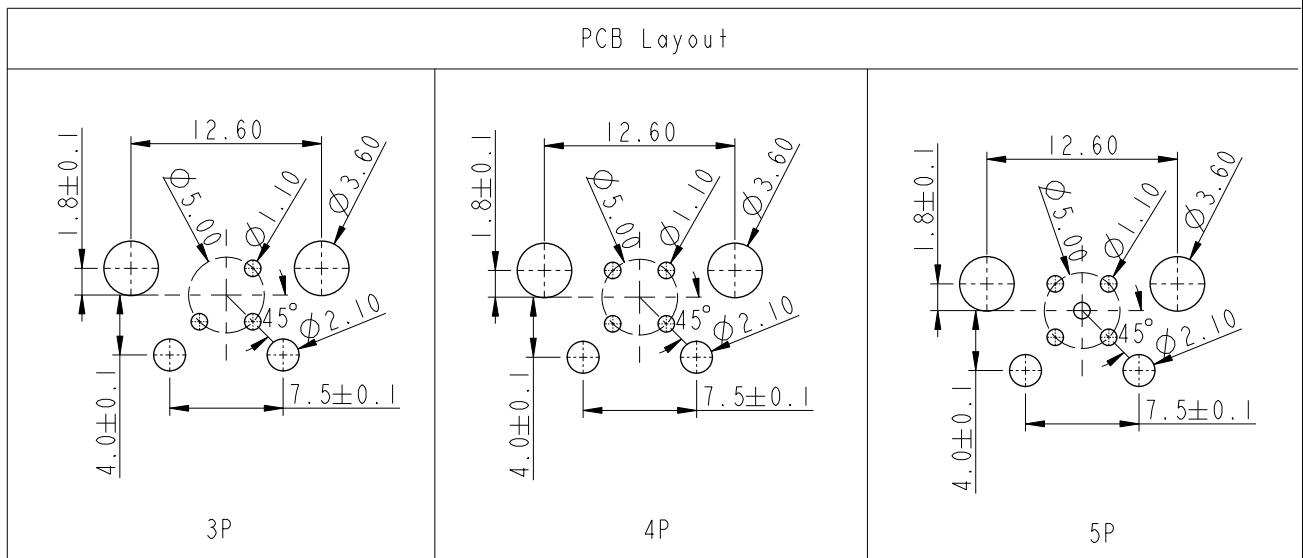
D

C

B

A

PCB Layout



UNIT: mm		
TOLERANCE	.X	±0.25
	.XX	±0.1
	.XXX	±0.05
ANGLES		±1°

TITLE N SEN, M12 A -PLASTIC, SCREW RECEPTACLE, M, M, PCB R			
SCALE	3:2	SIZE	A4
		SHEET	2 OF 2
REV.	C	WC-REV.	A.2
		: Inspection item	

**Amphenol LTW**  
安費諾亮泰企業股份有限公司

ITEM NO	
DWG NO	MSAP-XXPMR-SF8003
CUSTOMER	ALTW

DRAWN BY	Yulong_wang
CHECKED BY	Jinhai
APPROVED BY	jerry

DATE	2016-12-07
DATE	2016-12-07
DATE	2016-12-07

1 2 3 4 5 6 7 8 W10814-03-001A2