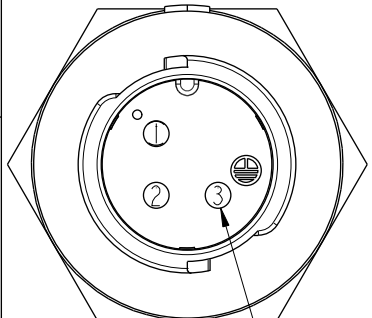
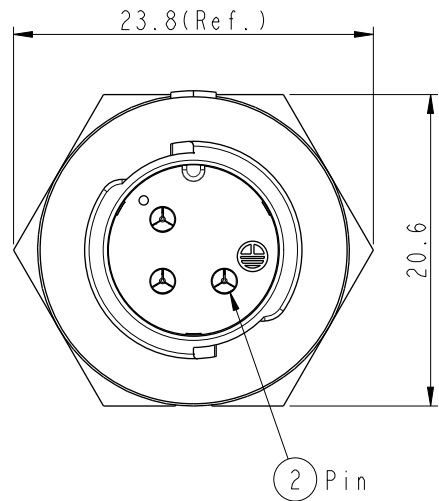
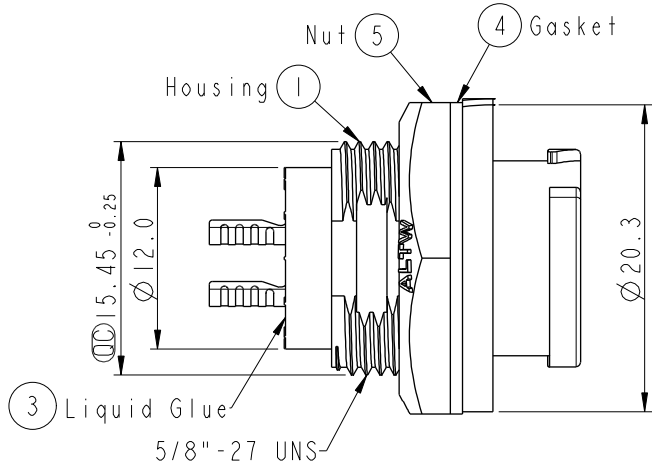
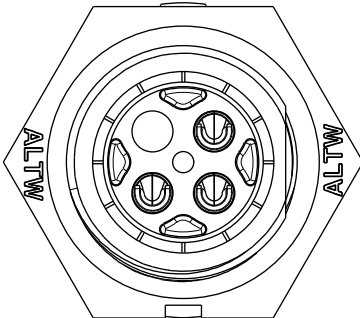


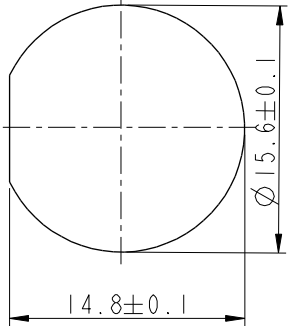
THIS DOCUMENT IS SUBJECT TO CHANGE WITHOUT NOTICE. IT IS CONFIDENTIAL AND A PROPERTY OF AMPHENOL LTW. DISCLOSURE TO THIRD PARTY HAS TO BE AUTHORIZED BY AMPHENOL LTW.

REV.	ECN NO.	DATE	SIGN	DESCRIPTION
B	CI90411	2019/03/14	Vicky	Change Note

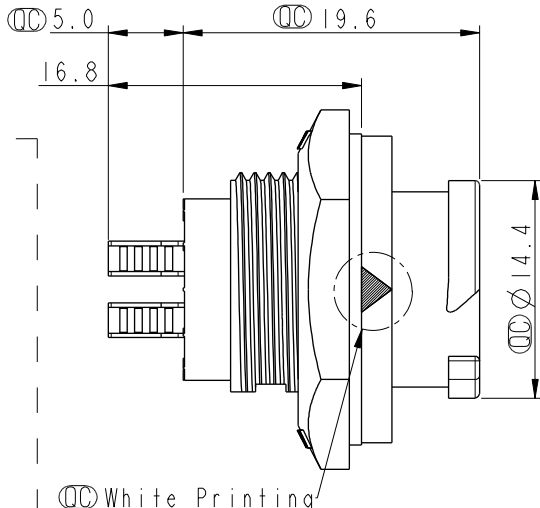
**ALTW**  
**CONFIDENTIAL**  
 2019-03-14  
**R&D DEPT.**



Pin Assignments  
Front View

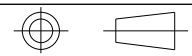


Recommended Panel Cut-out



- Note:**
- \*  $\text{CC}$  Important Dimension To Check.
  - \* Waterproof Rate: IP68, Unmated.  
In 1 meter water within 24 hours
  - \* Housing: Thermoplastic, Black.
  - \* Pin: Copper Alloy, Gold Plated.
  - \* Nut: Thermoplastic, Black.
  - \* Gasket: Rubber, Gray.
  - \* Panel Thickness Maximum: 4.5mm
  - \* Gasket and Nut are packed separately in PE bags.

**UNIT:mm**



TITLE X Lok B-Size Receptacle Rear Fastened M Conn M 3 Pin			
SCALE 2:1	SIZE A4	SHEET 1 OF 1	
REV. B	WC-REV. A.2	$\text{CC}$ : Inspection item	

**Amphenol LTW**  
**安費諾亮泰企業股份有限公司**

ITEM NO BB-03RMMS-OC800P	DRAWN BY Vicky	DATE 2019-03-14
DWG NO BB-03RMMS-OC800P	CHECKED BY Rita	DATE 2019-03-14
CUSTOMER ALTW	APPROVED BY Max	DATE 2019-03-14