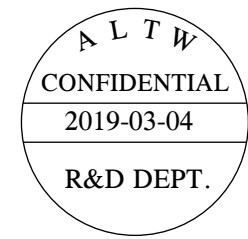
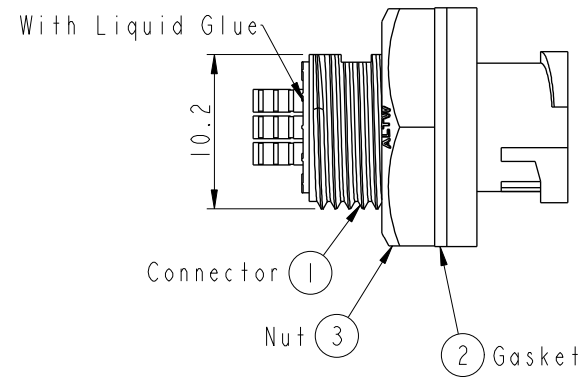
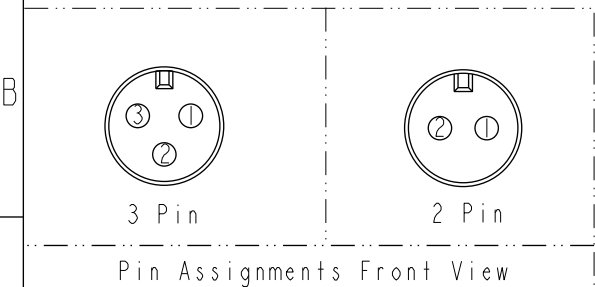
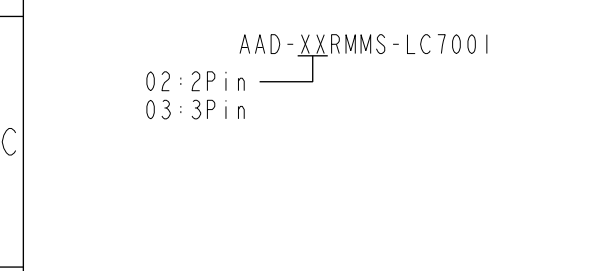
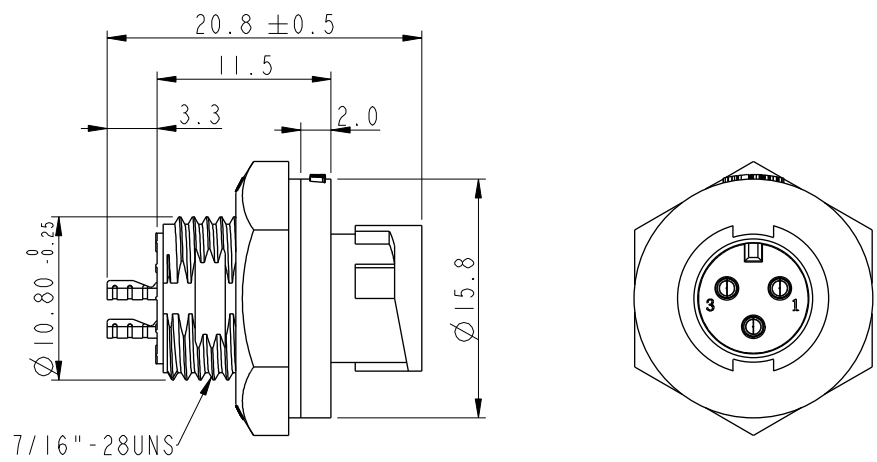
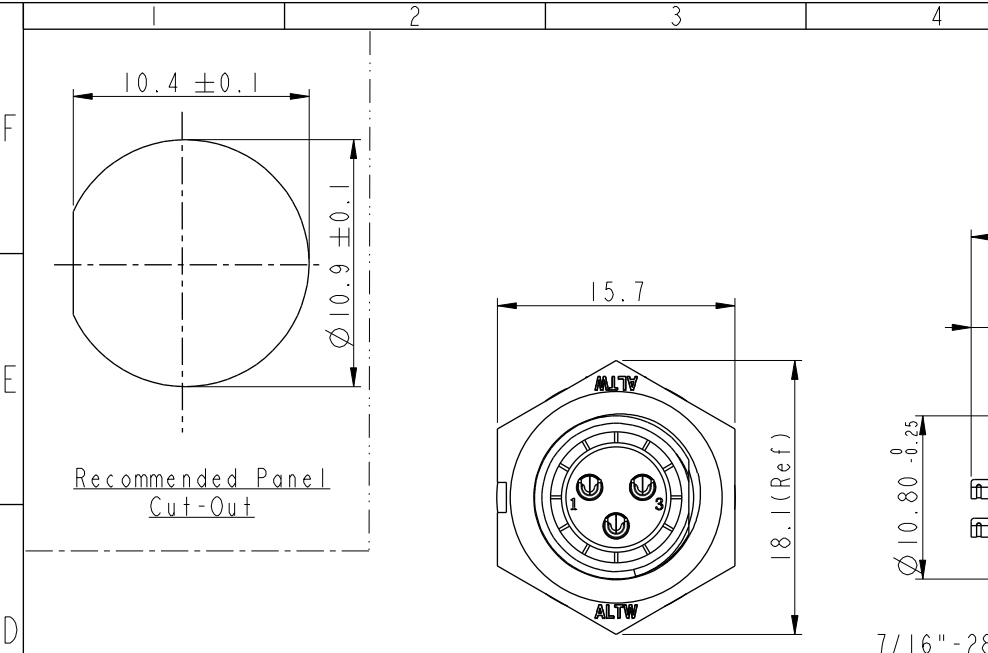


THIS DOCUMENT IS SUBJECT TO CHANGE WITHOUT NOTICE. IT IS CONFIDENTIAL AND A PROPERTY OF Amphenol LTW. DISCLOSURE TO THIRD PARTY HAS TO BE AUTHORIZED BY Amphenol LTW.

REV.	ECN NO.	DATE	SIGN	DESCRIPTION
B	C190323	2019/03/04	Vicky	Change Note



- Note:**
- * \varnothing Important Dimension To Check.
 - * Waterproof Rate: IP67, Unmated.
 - * Housing: Thermoplastic, Black.
 - * Pin: Copper Alloy, Gold Plated.
 - * Nut: Thermoplastic, Black.
 - * Gasket: Rubber, Gray.
 - * Maximum Panel Thickness: 4.5mm
 - * Gasket and Nut are packed separately in PE bags. (Gasket/Nut不組裝, 散裝出貨)

UNIT: mm		TITLE MINI PANEL LOCK M CONN M PIN			ITEM NO	DRAWN BY Vicky	DATE 2019-03-04
		TOLERANCE .X ±0.25 .XX ±0.1 .XXX ±0.05 ANGLES ±1°	SCALE 2:1	SIZE A4	SHEET 1 OF 1	DWG NO AAD-XXRMMS-LC7001	CHECKED BY Rita
REV. B		WC-REV. A.1	QC: Inspection item	Amphenol LTW 安費諾亮泰企業股份有限公司		APPROVED BY Max	DATE 2019-03-04
				CUSTOMER ALTW			