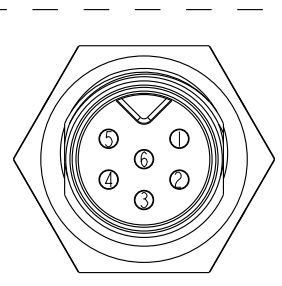
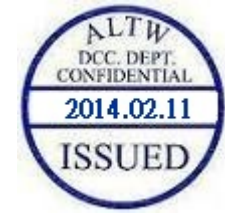
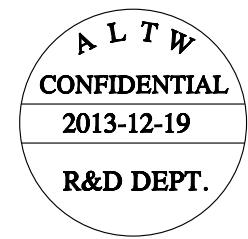
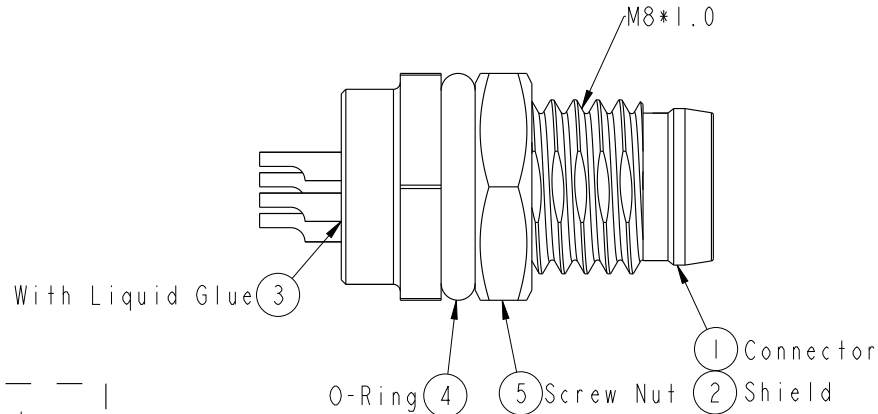
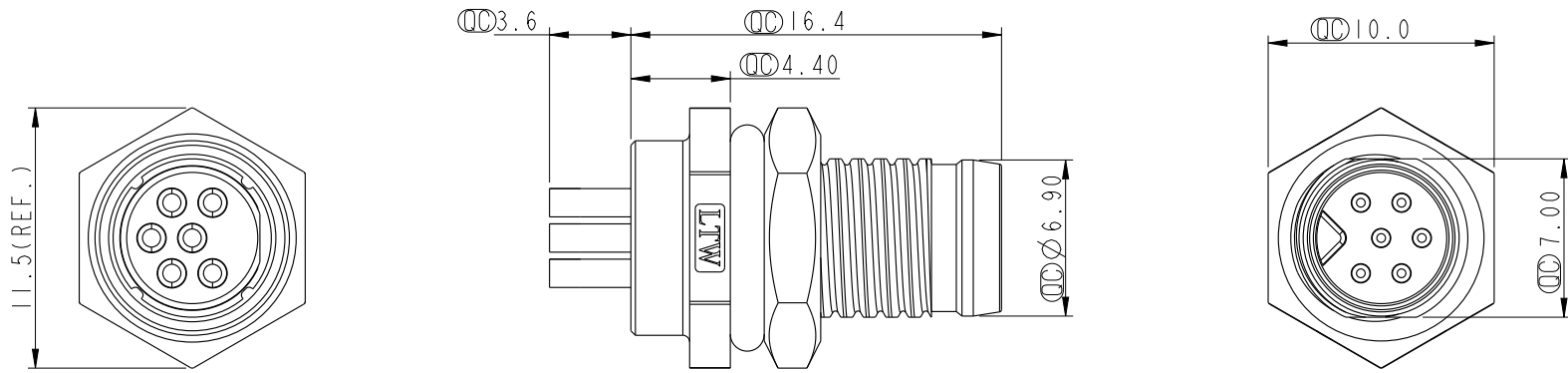
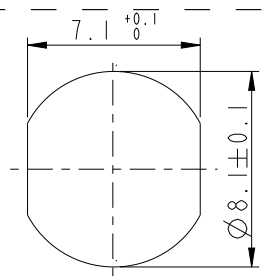


THIS DOCUMENT IS SUBJECT TO CHANGE WITHOUT NOTICE. IT IS CONFIDENTIAL AND A PROPERTY OF AMPHENOL LTW. DISCLOSURE TO THIRD PARTY HAS TO BE AUTHORIZED BY AMPHENOL LTW.

REV.	ECN NO.	DATE	SIGN	DESCRIPTION



Pin Assignment
Front View



Recommended
Panel Cut-Out

- Note:
- * \varnothing Important Dimension.
 - * Waterproof Rate: IP67.
 - * Housing: Nylon+GF, Black.
 - * Male Pin: Copper Alloy, Gold Plated.
 - * Shield: Zinc Alloy, Nickel Plated.
 - * Screw Nut: Copper Alloy, Nickel Plated.
 - * O-Ring: EPDM, Black.
 - * For Panel Thickness Max 3.0mm.
 - * Nut Torque: 4~6 kgf.cm.

UNIT:mm TOLERANCE .X ±0.25 .XX ±0.1 .XXX ±0.05 ANGLES ±1°	TITLE M8 6Pin Panel M Conn. M Pin		Amphenol LTW 安費諾亮泰企業股份有限公司		ITEM NO 8A-06PMMS-SF7001	DRAWN BY Mila	DATE 2013-12-19
	SCALE 3:1	SIZE A4			SHEET 1 OF 1	DWG NO 8A-06PMMS-SF7001	CHECKED BY Jimmy
	REV. A	WC-REV. A.3	\varnothing : Inspection item	CUSTOMER ALTW	APPROVED BY Jerry	DATE 2013-12-19	