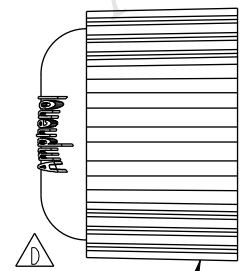


THIS DOCUMENT IS SUBJECT TO CHANGE WITHOUT NOTICE. IT IS CONFIDENTIAL AND A PROPERTY OF Amphenol LTW. DISCLOSURE TO THIRD PARTY HAS TO BE AUTHORIZED BY Amphenol LTW.

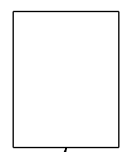
REV.	ECN NO.	DATE	SIGN	DESCRIPTION
B	LE3-6B0136	2006/11/13	Jerry	Remove the section
C	LEN1340084	2013/04/18	Yulong	Update The Drawing
D	LEN14C0437	2014/12/16	Vicky	Update Logo

**ALTW**  
 CONFIDENTIAL  
 2014-12-16  
 R&D DEPT.

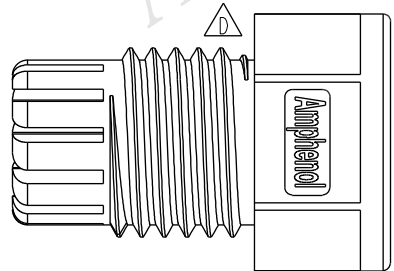
**ALTW**  
 DCC. DEPT.  
 CONFIDENTIAL  
 2014.12.23  
 ISSUED



Sealing Nut 5



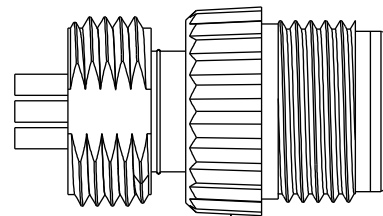
Seal 4



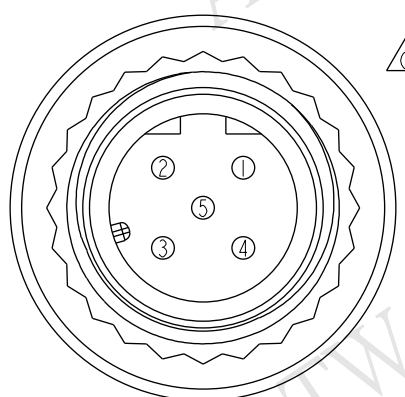
Clamp Ring 3



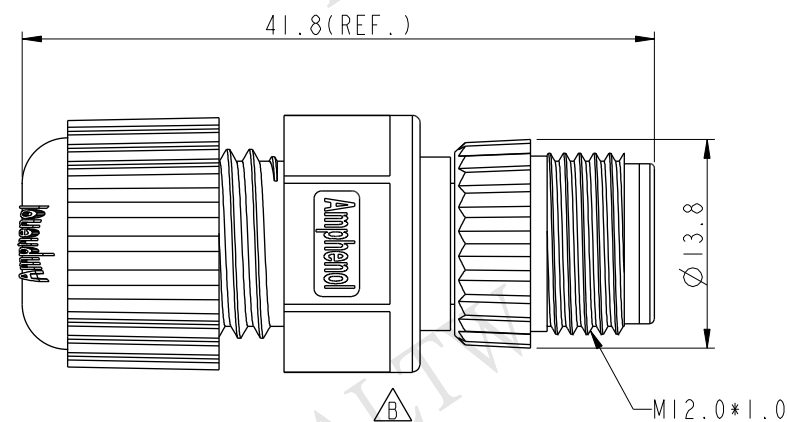
Gasket 2



Connector 1



Pin Assignments  
Front View



Note:

- \* Waterproof Rate: IP68
- IP68: 1M Depth Of Water In 24hours
- \* Housing: Nylon+GF, Black
- \* Male Pin: Copper Alloy, Gold Plated
- \* Screw Nut: Nylon+GF, Black
- \* Gasket: EPDM, Black
- \* Clamp Ring: Nylon, Black
- \* Seal: EPDM, Black
- \* Sealing Nut: Nylon, Black
- \* Seal For Cable OD:  $\varnothing 4.5\text{mm} \sim \varnothing 6.5\text{mm}$

UNIT:mm		
TOLERANCE		
.X	$\pm 0.25$	
.XX	$\pm 0.1$	
.XXX	$\pm 0.05$	
ANGLES	$\pm 1^\circ$	

TITLE M12 D Code Assy Screw 5Pin M Conn M Pin			
SCALE 2:1	SIZE A4	SHEET 1 OF 1	
REV. D	WC-REV. A.3	QC: Inspection item	

**Amphenol LTW**  
 安費諾亮泰企業股份有限公司

ITEM NO SDP-05BMMA-SL8001	DWG NO SDP-05BMMA-SL8001	CUSTOMER ALTW
------------------------------	-----------------------------	------------------

DRAWN BY Vicky	CHECKED BY Sam	APPROVED BY Rita
-------------------	-------------------	---------------------

DATE 2014-12-16	DATE 2014-12-16	DATE 2014-12-16
--------------------	--------------------	--------------------