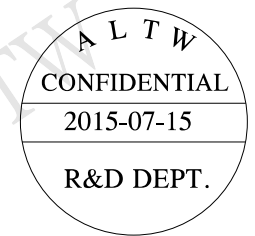


ACD-XXAFFM-SL7AXX  
 07: 7Pin  
 :  
 :  
 14: 14Pin

XX : 01~99Meters  
 01 : 01Meter  
 02 : 02Meters  
 :  
 :  
 99 : 99Meters

Cable Length(L): 01~99Meters



Note:  
 \*  $\varnothing$  Important Dimension To Check.  
 \* Waterproof Rate: IP67  
 \* Housing: Nylon+GF, Black.  
 \* Female Pin: Copper Alloy, Gold Plated.  
 \* Screw Nut: Nylon+GF., Black  
 \* Cable: UL2464 24AWG+Drain+Al/My  
 PVC Jacket UV Resistant, Black.  
 \* Cable Length Tolerance: 01M: 40mm  
 02M~05M: ±60mm  
 06M~10M: ±100mm  
 11M~30M: ±200mm  
 31M~99M: ±500mm

14P	PVC	7.0	24	ACD-14AFFM-SL7AXX
12P		7.0		ACD-12AFFM-SL7AXX
10P		6.5		ACD-10AFFM-SL7AXX
9P		6.0		ACD-09AFFM-SL7AXX
8P		5.5		ACD-08AFFM-SL7AXX
7P		5.8		ACD-07AFFM-SL7AXX
Contacts	Cable Jacket	Cable OD	AWG	Item No.

UNIT:mm		TITLE MIDDLE CABLE SCREW F CONN F PIN		
TOLERANCE	± 0.5	SCALE 1:1	SIZE A4	SHEET 1 OF 2
REV.	A	WC-REV.	A.1	$\varnothing$ : Inspection item

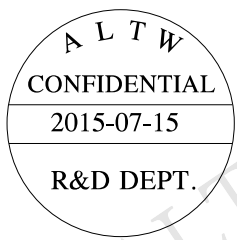
**Amphenol LTW**  
 安費諾亮泰企業股份有限公司

ITEM NO.	DRAWN BY Jinhai	DATE 2015-07-15
DWG NO. ACD-XXAFFM-SL7AXX	CHECKED BY Rensong	DATE 2015-07-15
CUSTOMER ALTW	APPROVED BY Jerry	DATE 2015-07-15

THIS DOCUMENT IS SUBJECT TO CHANGE WITHOUT NOTICE. IT IS CONFIDENTIAL AND A PROPERTY OF AMPHENOL LTW. DISCLOSURE TO THIRD PARTY HAS TO BE AUTHORIZED BY AMPHENOL LTW.

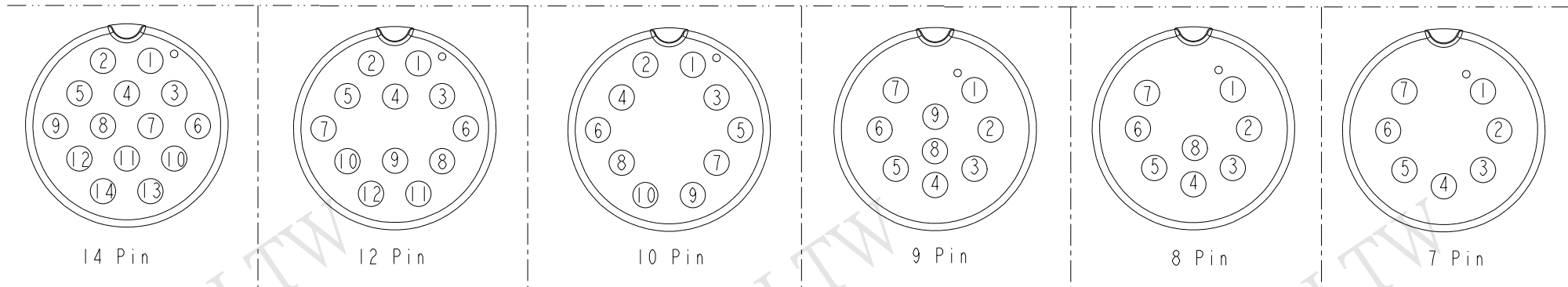
THIS DOCUMENT IS SUBJECT TO CHANGE WITHOUT NOTICE. IT IS CONFIDENTIAL AND A PROPERTY OF AMPHENOL LTW. DISCLOSURE TO THIRD PARTY HAS TO BE AUTHORIZED BY AMPHENOL LTW.

REV.	ECN NO.	DATE	SIGN	DESCRIPTION



14 Brown/White 13 Black/White 12 Light Green 11 Purple 10 Orange 9 Black 8 Red 7 Pink 6 Gray 5 Yellow 4 Green 3 White 2 Blue 1 Brown	棕/白 黑/白 淺綠 紫 橙 黑 紅 粉紅 灰 黃 綠 白 藍 棕	12 Light Green 11 Purple 10 Orange 9 Black 8 Red 7 Pink 6 Gray 5 Yellow 4 Green 3 White 2 Blue 1 Brown	淺綠 紫 橙 黑 紅 粉紅 灰 黃 綠 白 藍 棕	10 Orange 9 Black 8 Red 7 Pink 6 Gray 5 Yellow 4 Green 3 White 2 Blue 1 Brown	橙 黑 紅 粉紅 灰 黃 綠 白 藍 棕	9 Black 8 Red 7 Pink 6 Gray 5 Yellow 4 Green 3 White 2 Blue 1 Brown	黑 紅 粉紅 灰 黃 綠 白 藍 棕	8 Green 7 Yellow 6 Orange 5 Red 4 Blue 3 White 2 Brown 1 Black	綠 黃 橙 紅 藍 白 棕 黑	7 White 6 Green 5 Brown 4 Red 3 Yellow 2 Orange 1 Blue	白 綠 棕 紅 黃 橙 藍
Pin # Wire		Pin # Wire		Pin # Wire		Pin # Wire		Pin # Wire		Pin # Wire	

Pin Out



Pin Assignments Front View

UNIT: mm		TITLE MIDDLE CABLE SCREW F CONN F PIN	<h1>Amphenol LTW</h1> <p>安費諾亮泰企業股份有限公司</p>		ITEM NO	DRAWN BY Jinhai	DATE 2015-07-15
SCALE 1:1	SIZE A4	SHEET 2 OF 2			DWG NO ACD-XXAFFM-SL7AXX	CHECKED BY Rensong	DATE 2015-07-15
REV. A	WC-REV. A.1	QC: Inspection item			CUSTOMER ALTW	APPROVED BY Jerry	DATE 2015-07-15