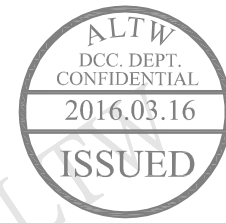
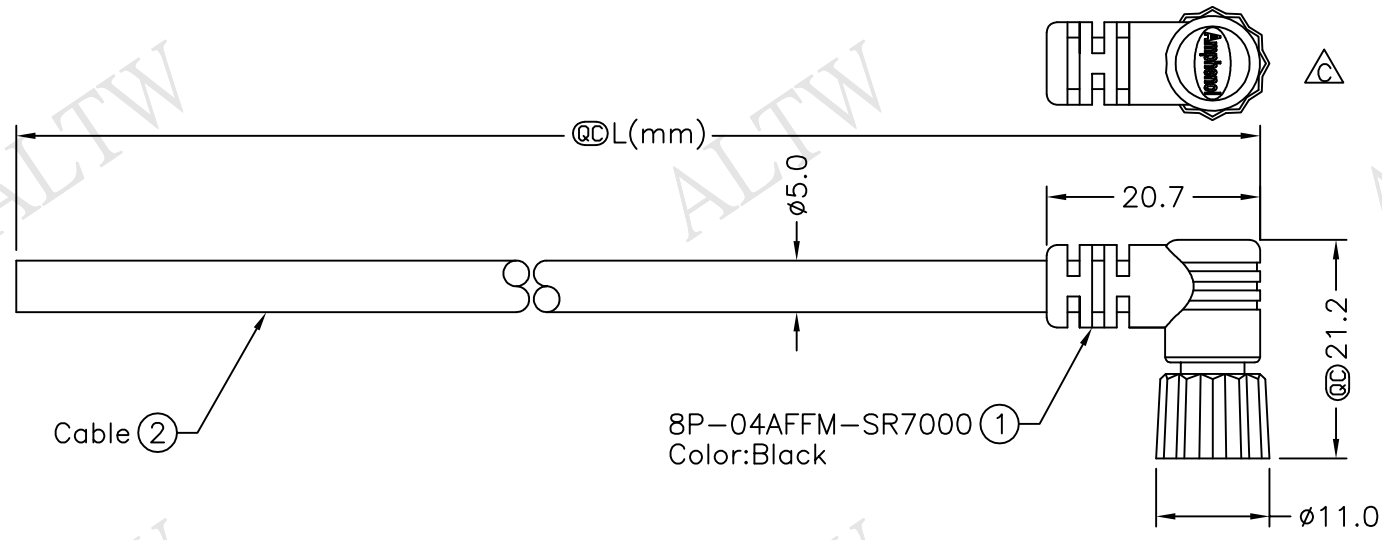
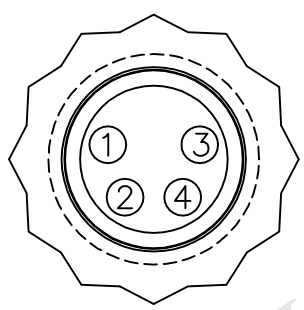


REV.	ECN NO.	DATE	SIGN	DESCRIPTION
B	LEN-920529~532	2009/02/23	Vicky	Update the drawing.
C	LEN1630320~323	2016/03/09	Vicky	Update Logo



8P-04AFFM-SR7AXX
 XX:01~99Meters
 01:01Meter
 02:02Meters
 :
 :
 99:99Meters
 Cable Length(L):01~99Meters

- Note:
- * @ Important Dimension
 - * Waterproof Rate: IP67
 - * Connector: PU, Black
 - * Female Pin: Copper Alloy, Gold Plated
 - * Cable: UL2464 22AWG*4C+Talcum, Black, PVC Jacket, UV Resistant, OD=5.0mm
 - * Cable Length Tolerance: 01M:±40mm
 02M~05M:±60mm
 06M~10M:±100mm
 11M~30M:±200mm
 31M~99M:±500mm



Pin Assignments
Front View

4	Black	黑
3	Blue	藍
2	White	白
1	Brown	棕
Conn.	Wire Color	
Pin Out		

UNIT:mm	
TOLERANCE	±0.5 mm

TITLE	M8 Conn Cable Screw 4P F Conn F Pin	
SCALE	Free	SHEET 1 OF 1
REV.	C	SIZE A4
:Inspection Item		

Amphenol LTW
 安費諾亮泰企業股份有限公司

ITEM NO	DRAWN BY	DATE
DWG NO	CHECKED BY	DATE
CUSTOMER	APPROVED BY	DATE

THIS DOCUMENT IS SUBJECT TO CHANGE WITHOUT NOTICE. IT IS CONFIDENTIAL AND A PROPERTY OF Amphenol LTW. DISCLOSURE TO THIRD PARTY HAS TO BE AUTHORIZED BY Amphenol LTW.

A B C D E F