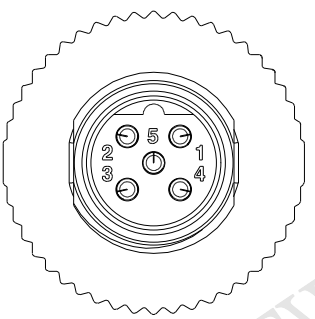
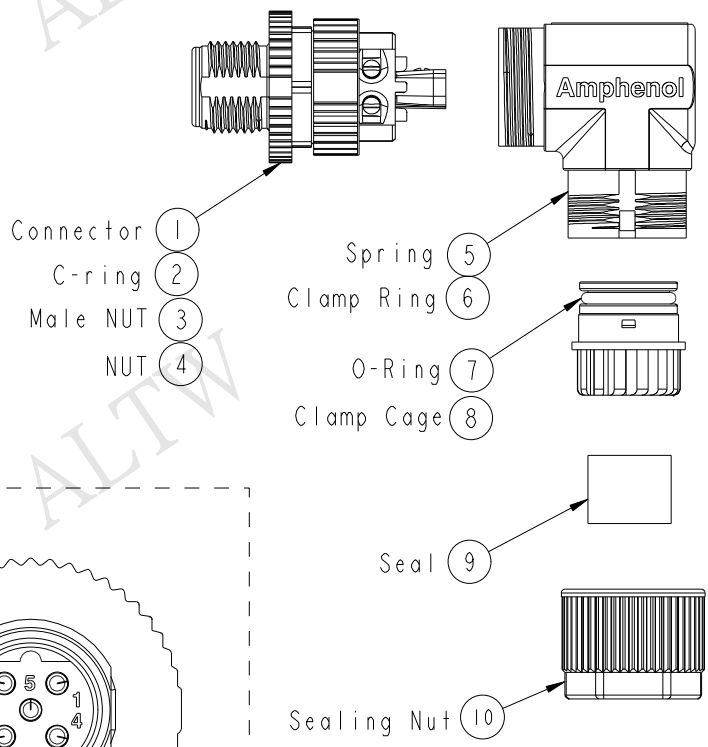


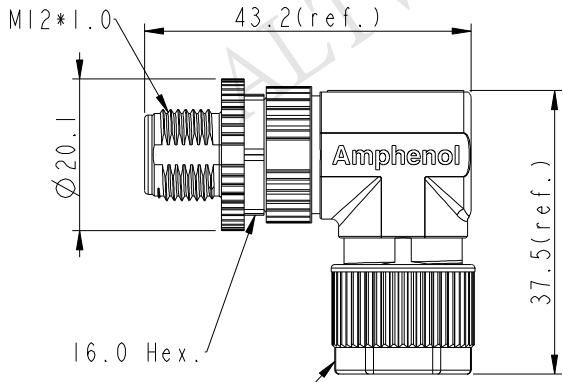
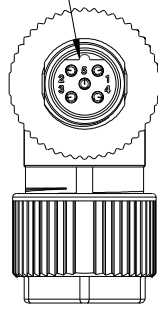
ALTW
CONFIDENTIAL
 2015-10-13
 R&D DEPT.

| REV. | ECN NO. | DATE | SIGN | DESCRIPTION |
|------|-----------------|------------|------|------------------------|
| A | Initial Release | 2015/10/13 | Mila | Change Rev. I To Rev.A |

360° Adjustable Key Code Direction



Pin Assignments
 Front View



ALTW
 DCC. DEPT.
 CONFIDENTIAL
 2015.10.28
 ISSUED

| | | |
|-----------|--|--|
| UNIT:mm | | |
| TOLERANCE | | |
| ±0.5mm | | |

| | | | |
|-------------------------------------------------------------|----------------|---------------------|--|
| TITLE M12 B-Code 90° Shielded Assy 5Pin M Conn. M Pin | | | |
| SCALE 1:1 | SIZE A4 | SHEET 1 OF 2 | |
| REV. A | WC-REV. A.1 | QC: Inspection item | |

Amphenol LTW
 安費諾亮泰企業股份有限公司

| | | |
|-------------------------------|----------------------|--------------------|
| ITEM NO MSBS-05BMMB-SR7001 | DRAWN BY Mila | DATE 2015-10-13 |
| DWG NO MSBS-05BMMB-SR7001 | CHECKED BY Cary | DATE 2015-10-13 |
| CUSTOMER ALTW | APPROVED BY Jerry | DATE 2015-10-13 |

THIS DOCUMENT IS SUBJECT TO CHANGE WITHOUT NOTICE. IT IS CONFIDENTIAL AND A PROPERTY OF Amphenol LTW. DISCLOSURE TO THIRD PARTY HAS TO BE AUTHORIZED BY Amphenol LTW.

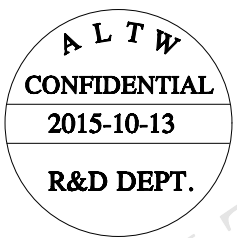
THIS DOCUMENT IS SUBJECT TO CHANGE WITHOUT NOTICE. IT IS CONFIDENTIAL AND A PROPERTY OF AMPHENOL LTW. DISCLOSURE TO THIRD PARTY HAS TO BE AUTHORIZED BY AMPHENOL LTW.

1 2 3 4 5 6 7 8

F
E
D
C
B
A

M SBS - 05 B M M B - S R 7 001

SBS: B-Code Shielded
 05: 5Pin
 B: Without S/R (無網尾)
 M: Male Connector (公座)
 M: Male Pin (公Pin)
 001: Without Cable
 7: IP67 (防水等級67)
 R: Right (90°)
 S: Screw (螺紋式)
 B: Screw in Type (組裝式)



- Note:
- * CC Important Dimension To Check.
 - * Waterproof Rate: IP67 (Mated)
 - * Housing: Nylon, Black
 - * Clamp Cage: Nylon, Black
 - * Male Pin: Copper Alloy, Gold Plated
 - * Male Nut: Zinc Alloy, Nickel Plated
 - * Nut: Zinc Alloy, Nickel Plated
 - * O-Ring: Silicon, Grey
 - * Clamp Ring: Zinc Alloy, Nickel Plated
 - * Sealing Nut: Zinc Alloy, Nickel Plated
 - * Seal: Silicon, Grey
 - * Seal For Cable OD: $\varnothing 4.0\text{mm} \sim \varnothing 7.0\text{mm}$
 - * Screws for Wire connection recommended tightening torque: 0.61~0.84 kgf.cm / 0.059~0.082 N.m
 - * Applicable Wire gauge (Stranded wire cross section) 0.14mm² (26AWG) ~ 0.82mm² (18AWG)
 - * Mating Recommended tightening torque: 3~4 kgf.cm / 0.29~0.39 N.m
 - * Sealing-Nut Recommended tightening torque: 4~6 kgf.cm / 0.39~0.59 N.m
 - * Detailed applicable wire specifications may vary depending on the actual wire construction.

| | |
|-----------|--|
| UNIT:mm | |
| TOLERANCE | |
| ±0.5mm | |

| | | | |
|-------------------------------------------------------------|----------------|-------------------------------|--|
| TITLE M12 B-Code 90° Shielded Assy 5Pin M Conn. M Pin | | | |
| SCALE 1:1 | SIZE A4 | SHEET 2 OF 2 | |
| REV. A | WC-REV. A.1 | CC : Inspection item | |

Amphenol LTW
 安費諾亮泰企業股份有限公司

| | | |
|-------------------------------|----------------------|--------------------|
| ITEM NO MSBS-05BMMB-SR7001 | DRAWN BY Mila | DATE 2015-10-13 |
| DWG NO MSBS-05BMMB-SR7001 | CHECKED BY Cary | DATE 2015-10-13 |
| CUSTOMER ALTW | APPROVED BY Jerry | DATE 2015-10-13 |

1 2 3 4 5 6 7 8 FMM10702-01-02A1