

## 3M™ One Pass Mini Fiber Pathway

- 3M™ One Pass Mini Fiber Pathway is ideal for use in brownfield Multi Dwelling Units (MDUs) or Single Family Units (SFUs) serviced by FTTH networks
- Also suitable for hotels, schools, hospitals and small businesses
- The One Pass Mini pathway is a single fiber flexible, surface-mount cable pathway and drop cable solution installed in just one pass
- Used to connect to hallway distribution cables from a point-of-entry location near an apartment door to a wall outlet in the living unit positioned near an ONT
- Utilizes 3M adhesive technology to adhere duct to wall
- Compatible with a variety of wall surfaces
- Factory terminated at one end with a SC connector (optional)
- Suitable for indoor use only



3M™ One Pass Mini Fiber Pathway Duct

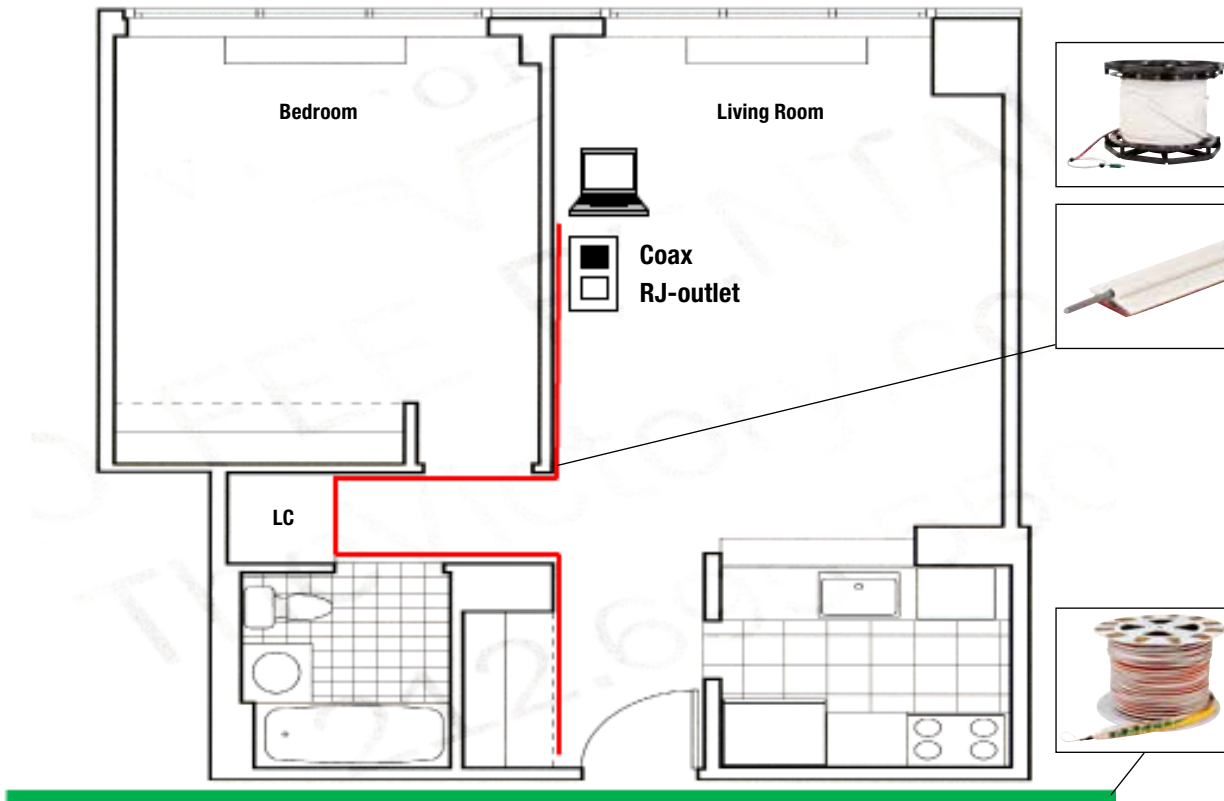


3M™ One Pass Small Surface-Mount Point-of-Entry Box SM-SMALL-POE-10-IV and 3M™ No Polish Connector 8800-APC/AS

| Feature  | Benefit   |
|--|---|
| One Pass Mini pathway is low profile and less obtrusive than existing drop cable solutions   | Respects apartment aesthetics; a unique cable pathway solution for apartments where exposed cables are not acceptable to tenants, increasing service provider revenue opportunities                   |
| One Pass Mini pathway facilitates use of small desktop ONTs  | Virtually eliminates time and expense of running new wiring (twisted pair, coax) to closets where large wall mount ONTs are typically placed  |
| 3M™ One Pass Mini Fiber Pathway Duct also works on concrete walls where stapling ruggedized drop cables isn't an option  | Apartments with concrete walls can now be wired for FTTH services quickly and cost effectively, increasing potential revenue for the FTTH service provider  |
| Use of 3M adhesive technology to mount One Pass Mini Duct enables quiet installation, maintains signal integrity, and eliminates marks left on ceilings from staple guns | Provides minimally disruptive customer installation experience and preserves apartment aesthetics while reducing potential for macrobends and high attenuation that may be caused by stapling         |
| One Pass Mini has few pieces to install  | Installation is easy, training crews takes less time and is less costly than some traditional methods; eliminates time spent loading/unloading staple guns needed for stapling ruggedized drop cables |
| One Pass Mini pathway is compatible with the 3M™ One Pass Fiber Pathway for horizontal cable applications  | Final drop cable installation time is significantly reduced, and customer installation time diminished  |
| Duct can be cut to needed length and quickly and easily field terminated with 3M™ No Polish Connector or 3M™ Crimplok™+ Connector  | Limits fiber waste and large boxes designed to store excess cable slack. Expensive and time consuming fusion splice machines are no longer needed for terminations                                    |

# 3M™ One Pass Mini Fiber Pathway

## Apartment Layout and Product Placement Illustration



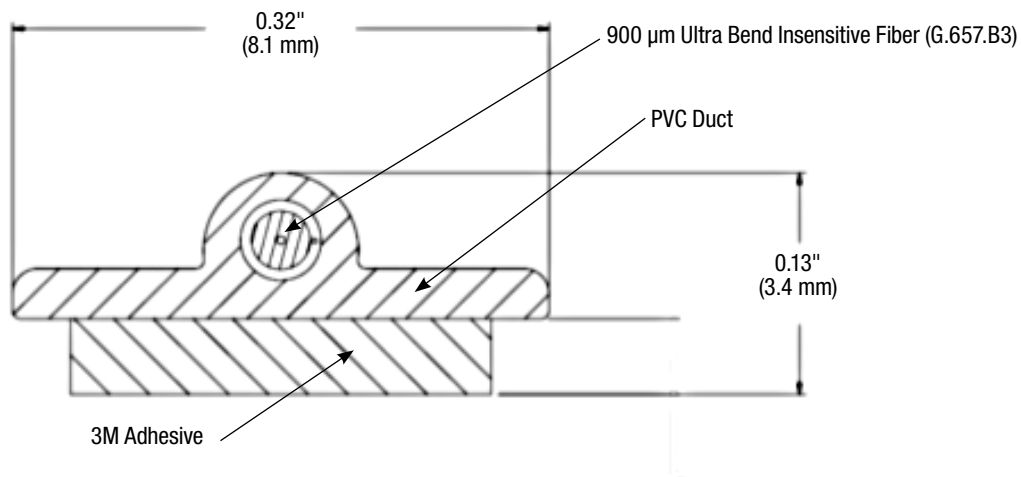
-  3M™ One Pass Fiber Pathway or Alternative Horizontal Cable Pathway Solution
-  3M One Pass Mini Fiber Pathway

## 3M™ One Pass Mini Fiber Pathway Duct

### Technical Specifications

|                                |   |
|--------------------------------|---|
| <b>Material</b>                | PVC (Polyvinyl chloride)  |
| <b>Color</b>                   | Ivory   |
| <b>Paintability</b>            | Paintable with either latex or oil based paint  |
| <b>Certifications</b>          | <p>The One Pass Fiber Pathway product has been Listed to the requirements of UL5C, Surface Raceways and Fittings For Use with Data, Signal, and Control Circuits. This product is for General Purpose applications only. The One Pass Fiber Pathway product is Certified to CAN/ULC S143, Conforms to UL Std 1685, FT4.</p> <p>16°C to +38°C (61°F to +100°F) on a clean, dry surface. Suggested to maintain relative humidity below 85% to prevent surface condensation.</p> |
| <b>Installation Conditions</b> | <p>Note: Allow the 3M™ One Pass Mini Fiber Pathway duct and accessories to acclimate for 24 hours at recommended product installation temperature prior to install.</p> <p>Note: For optimum curing of the adhesive, hold recommended installation temperature conditions for 72 hours after product installation.</p>  |
| <b>Storage Conditions</b>      | The 3M™ One Pass Mini Fiber Pathway has a shelf life of 24 months from date of manufacture when stored at 40°F to 100°F (4°C to 38°C) and 0-95% relative humidity. The optimum product storage conditions are 72°F (22°C) and 50% relative humidity.  |
| <b>Operating Conditions</b>    | 40°F to 100°F (4°C to 38°C)   |
| <b>UV Resistance</b>           | Installed duct tested to indoor UV requirements of ASTM G 154   |

### Cross Section of 3M™ One Pass Mini Fiber Pathway Duct



3M is a trademark of 3M Company.

## 3M™ One Pass Mini Fiber Pathway Wall Surface Compatibility Test Results

| Wall Surface Type   | Pass |
|---|------|
| <b>Painted Smooth Surfaces</b>                                    |      |
| Flat Latex  | Yes  |
| Semi-gloss Latex  | Yes  |
| Glossy Latex  | Yes  |
| Semi-gloss Alkyd  | Yes  |
| <b>Painted Textured Surfaces: Light Stucco &amp; Cement Block</b> |      |
| Flat Latex  | Yes  |
| Semi-gloss Latex  | Yes  |
| Glossy Latex  | Yes  |
| Semi-gloss Alkyd  | Yes  |
| <b>Wallpapered Surfaces</b>                                       |      |
| Plain Paper   | Yes  |
| Vinyl Coated  | Yes  |
| Vinyl   | Yes  |
| Polyolefin Woven  | No   |
| <b>Unfinished and/or Unpainted Brick, Concrete, or Block</b>      | No   |



3M™ One Pass Mini Surface-Mount Point-of-Entry Wall Cover

### Product Contents

The duct is spooled and placed in Reel-in-a-Box packaging, eliminating the need for pay-off racks.

Extruded duct, factory-filled with one 900 μm ultra bend insensitive, tight buffered fiber (G.657.B3) and backed with 3M adhesive

Duct can be factory terminated on one end with SC connectors (optional)

Available as a kit; includes 3M™ One Pass Mini Fiber Pathway Duct, one 3M™ One Pass Mini Surface-Mount Wall Outlet and one 3M™ One Pass Mini Surface-Mount Point-of-Entry Wall Cover



3M™ One Pass Mini Surface-Mount Wall Outlet

## 3M™ One Pass Mini Fiber Pathway Duct Configuration Guide

Model Number

XXX XXX

XX

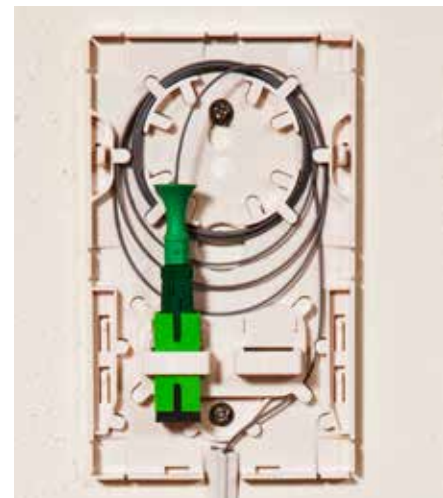
XXX

X

| Placement Location |                | Length |                | Fiber Count |    | Connectors |        | Duct Color |       |
|--------------------|----------------|--------|----------------|-------------|----|------------|--------|------------|-------|
| ILU                | In Living Unit | 100    | 100 ft. (30 m) | 01          | 1f | SCA        | SC/APC | IV         | Ivory |
|                    |                | 150    | 150 ft. (45 m) |             |    | SCU        | SC/UPC |            |       |
|                    |                |        |                |             |    | 000        | —      |            |       |

## 3M™ One Pass Mini Fiber Pathway Duct Ordering Information

| Product Name              | Description   | 3M ID          | MOQ     |
|---------------------------|---|----------------|---------|
| ILU-100-01-SCA-IV-ILU-KIT | One Pass Mini Kit, Duct and Boxes, 100 ft. (30 m)   | 80-6113-8211-2 | 1 Kit   |
| ILU-150-01-SCA-IV-ILU-KIT | One Pass Mini Kit, Duct and Boxes, 150 ft. (45 m)   | 80-6113-8415-9 | 1 Kit   |
| ILU-100-01-000-IV         | One Pass Mini Duct, No Terminations, 100 ft. (30 m) | 80-6113-8212-0 | 1 Spool |
| ILU-150-01-000-IV         | One Pass Mini Duct, No Terminations, 150 ft. (45 m) | 80-6113-8451-4 | 1 Spool |
| ILU-300-01-000-IV         | One Pass Mini Duct, No Terminations, 300 ft. (90 m) | 80-6113-8869-7 | 1 Spool |



3M™ One Pass Mini Surface-Mount Wall Outlet and 3M™ No Polish Connector 8800-APC/AS

## 3M™ One Pass Mini Fiber Pathway Product Accessories

| Product Name          | Description  | 3M ID          | Min. Order |
|-----------------------|--|----------------|------------|
| ILU-SM-WO-02-SCA-IV   | One Pass Mini Surface-Mount Wall Outlet, 2F                        | 80-6113-8213-8 | 60         |
| ILU-SM-WO-02-SCU-IV   | One Pass Mini Surface-Mount Wall Outlet, 2F                        | 80-6113-8488-6 | 60         |
| ILU-SM-POE-WC-IV      | One Pass Mini Surface-Mount POE Wall Cover                         | 80-6113-8214-6 | 60         |
| ILU-PLN-12-IV         | One Pass Mini Planar Corners, 12 Corners Per Bag                   | 80-6113-8215-3 | 60         |
| ILU-ANCHOR-12-IV      | One Pass Mini Mechanical Anchor, 12 Per Bag                        | 80-6113-8216-1 | 60         |
| ILU-EXT-12            | One Pass Mini Exterior Corner Supports, Formed (Metal), 12 Per Bag | 80-6113-8217-9 | 60         |
| ILU-BRIDGE-125-60     | One Pass Mini Bridge Strip 12.5" Long 60 Per Kit                   | 80-6113-8218-7 | 60         |
| ILU-DUCT-INSTALL-TOOL | One Pass Mini Duct Installation Tool                               | 80-6113-8219-5 | 4          |
| ILU-DUCT-CHOMPER-TOOL | One Pass Mini Duct Flange Removal Tool                             | 80-6113-8221-1 | 4          |
| ILU-TOOL-KIT          | One Pass Mini Installation Tool Kit, ILU                           | 80-6113-8222-9 | 1 Kit      |
| ILU-REPAIR-KIT        | ILU Fiber Repair Kit   | 80-6113-8220-3 | 1          |
| ILU-TEST-KIT          | ILU Wall Surface Compatibility Test Kit                            | 80-6113-9528-8 | 1          |
| SM-POE-10-IV          | One Pass Surface-Mount Point-of-Entry Box                          | 80-6113-3380-0 | 60         |
| SM-SMALL-POE-10-IV    | One Pass Small Surface-Mount Point-of-Entry Box                    | 80-6113-8453-0 | 60         |

## 3M Connector Ordering Information

| Product Name  | Description  | 3M ID          | Min. Order |
|---------------|--|----------------|------------|
| 8800-APC/AS   | No Polish Connector SC/APC SM Angle Splice 250/900   | 80-6113-2627-5 | 60/package |
| 8700-PS/APC   | 3M™ Crimplok™ + Connector SC/APC SM 250/900 with Protrusion Setting Tool                       | 80-6113-8751-7 | 60         |
| 8700-PS/APC/C | 3M™ Crimplok™ + Connector SC/APC SM 250/900 with Protrusion Setting Tool with 3M™ Easy Cleaver | 80-6114-9435-4 | 120        |
| 2565          | Fiber Optic Angle Cleave Kit with Angle Cleaver  | 80-6113-2508-7 | 1/package  |
| 2535          | Fiber Optic Angle Cleaver  | 80-6113-2423-9 | 1/package  |
| 8765-APC      | 3M™ Crimplok™ + Connector Kit  | 80-6113-8073-6 | 1          |

3M and Crimplok are trademarks of 3M Company.

### Important Notice

All statements, technical information, and recommendations related to 3M's products are based on information believed to be reliable, but the accuracy or completeness is not guaranteed. Before using this product, you must evaluate it and determine if it is suitable for your intended application. You assume all risks and liability associated with such use. Any statements related to the product which are not contained in 3M's current publications, or any contrary statements contained on your purchase order shall have no force or effect unless expressly agreed upon, in writing, by an authorized officer of 3M.

### Warranty; Limited Remedy; Limited Liability.

This product will be free from defects in material and manufacture for a period of 12 months from the time of purchase. **3M MAKES NO OTHER WARRANTIES INCLUDING, BUT NOT LIMITED TO, ANY IMPLIED WARRANTY OF MERCHANTABILITY OR FITNESS FOR A PARTICULAR PURPOSE.** If this product is defective within the warranty period stated above, your exclusive remedy shall be, at 3M's option, to replace or repair the 3M product or refund the purchase price of the 3M product. **Except where prohibited by law, 3M will not be liable for any loss or damage arising from this 3M product, whether indirect, special, incidental or consequential regardless of the legal theory asserted.**



### Communication Markets Division

6801 River Place Blvd.  
Austin, TX 78726-9000  
800/426 8688  
Fax 800/626 0329  
www.3M.com/Telecom

Please recycle. Printed in USA.  
© 3M 2014. All rights reserved.  
80-6114-9892-6