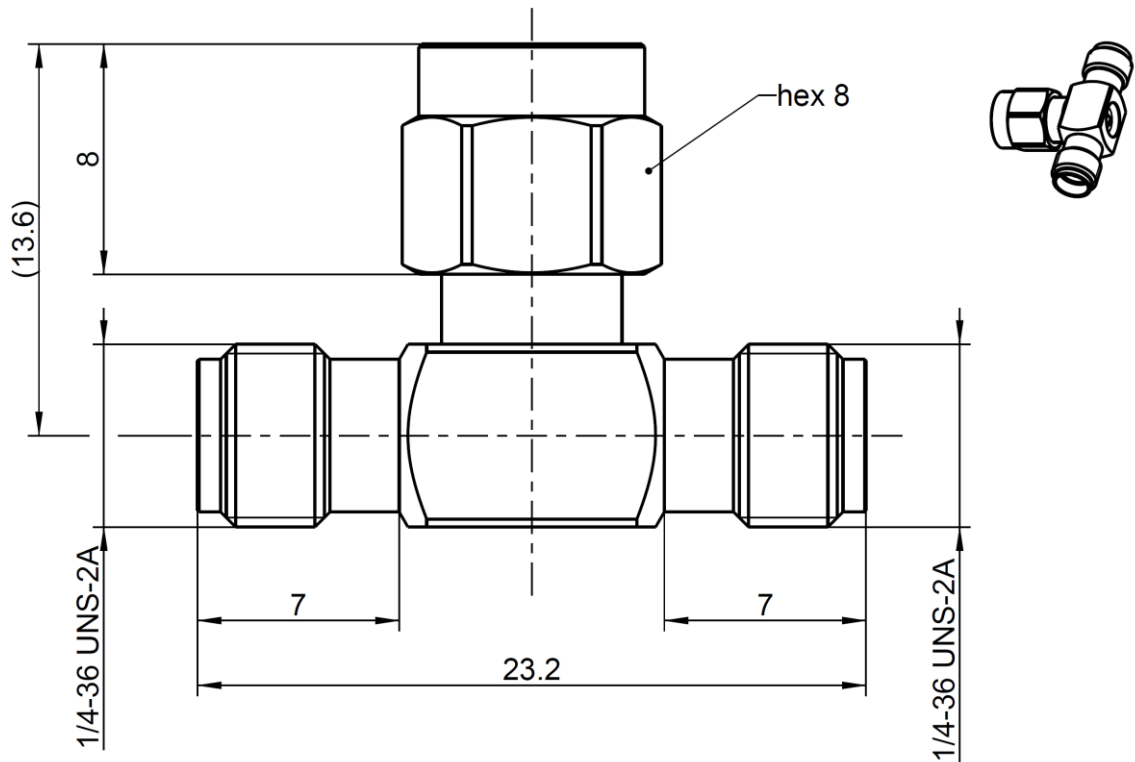


SMA

Adaptor  
SMA Jack – Plug – Jack

**32S301-K00L5**



All dimensions are in mm; tolerances according to ISO 2768 m-H

**Interface**

According to IEC 60169-15, EN 122110, MIL-STD-348A, Fig. 310

**Documents**

N/A

**Material and plating**

**Connector parts**

	Material	Plating
SMA male side:		
Center contact	Brass	AuroDur®, gold plated
Outer contact	CuBe or equiv.	AuroDur®, gold plated
Dielectric	PTFE	
Gasket	Silicone	
Coupling nut	CuBe or equiv.	Gold, 0.1 µm
SMA female/female side:		
Center contact	CuBe	AuroDur®, gold plated
Outer contact	CuBe	AuroDur®, gold plated
Dielectric	PTFE	

Dieses Dokument ist urheberrechtlich geschützt • This document is protected by copyright • Rosenberger Hochfrequenztechnik GmbH & Co. KG

RF\_35/09.14/6.2

