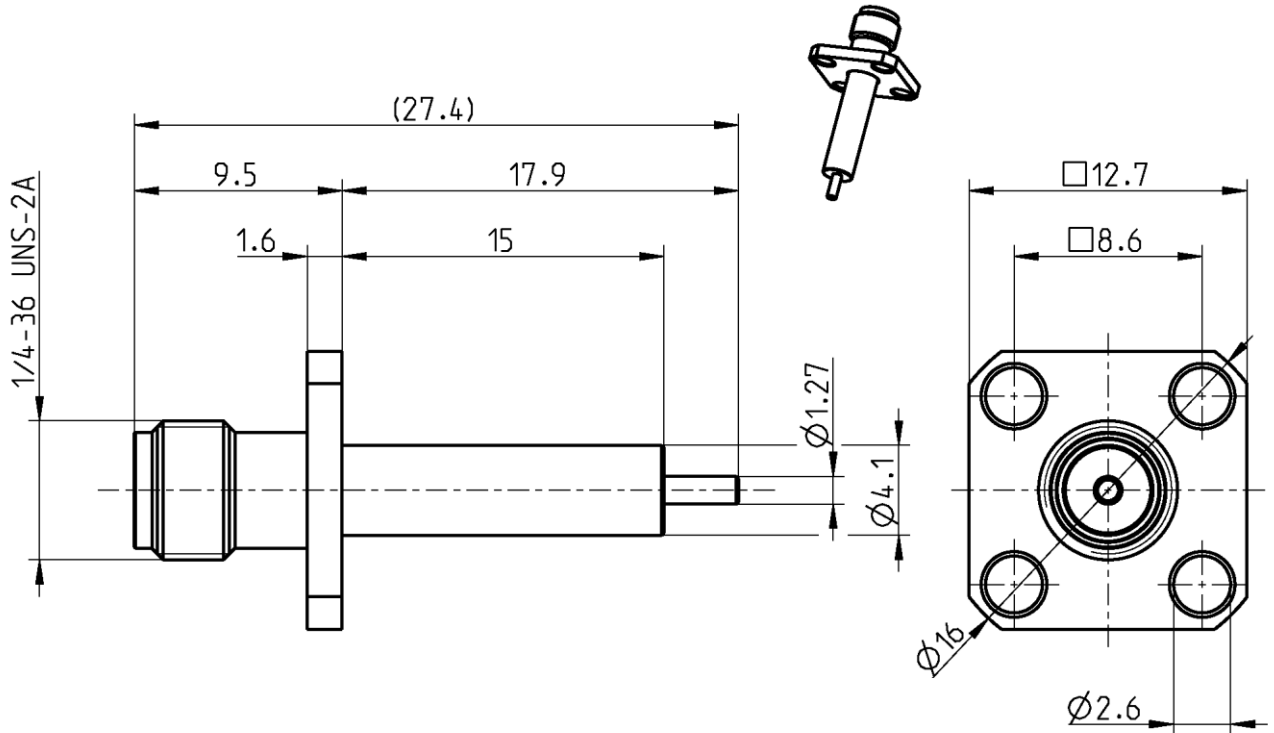


SMA

Panel Jack
Straight Terminal

32K422-500S5



All dimensions are in mm; tolerances according to ISO 2768 m-H

Interface

According to IEC 60169-15, EN 122110, MIL-STD-348A, Fig. 310

Documents

Panel piercing B 55a

Material and plating

Connector parts

Center contact
Outer contact
Dielectric

Material

CuBe
Stainless steel
PTFE

Plating

AuroDur®, gold plated
Passivated

Dieses Dokument ist urheberrechtlich geschützt • This document is protected by copyright • Rosenberger Hochfrequenztechnik GmbH & Co. KG

RF_35/09.14/6.2

Electrical data

Impedance	50 Ω
Frequency	DC to 18 GHz
VSWR	≤ 1.05 + 0.005 x f [GHz], DC to 8 GHz ≤ 1.30 8 to 18 GHz
Insertion loss	≤ 0.04 x √f(GHz) dB
Insulation resistance	≥ 5 x 10 ³ MΩ
Center contact resistance	≤ 3 mΩ
Outer contact resistance	≤ 2 mΩ
Test voltage	1000 V rms
Working voltage	480 V rms
Power handling (at 20 °C, sea level, VSWR 1.0)	≤ 200 W @ 2 GHz
RF-leakage	≥ 100 dB up to 1 GHz

Mechanical data

Mating cycles	min. 500
Center contact captivation: axial	≥ 27 N
radial	≥ 3 Ncm
Coupling test torque	max. 1.7 Nm
Recommended torque	0.8 Nm to 1.1 Nm

Environmental data

Temperature range	-65°C to +165°C
Thermal shock	MIL-STD-202, Meth. 107, Cond. B
Corrosion	MIL-STD-202, Meth. 101, Cond. B
Vibration	MIL-STD-202, Meth. 204, Cond. D
Shock	MIL-STD-202, Meth. 213, Cond. I
Moisture resistance	MIL-STD-202, Meth. 106
RoHS	compliant

Tooling

N/A

Suitable cables

N/A

Weight

Weight	2.95 g/pce
--------	------------

While the information has been carefully compiled to the best of our knowledge, nothing is intended as representation or warranty on our part and no statement herein shall be construed as recommendation to infringe existing patents. In the effort to improve our products, we reserve the right to make changes judged to be necessary.

For the installation of the electrotechnical equipment, particular electrotechnical expertise is required.



Dieses Dokument ist urheberrechtlich geschützt • This document is protected by copyright • Rosenberger Hochfrequenztechnik GmbH & Co. KG

RF_35/09.14/6.2

Draft	Date	Approved	Date	Rev.	Engineering change number	Name	Date
M. Schmid	29.11.07	Chr. Janßen	10.11.20	d00	20-1927	S. Huber-Siegl	10.11.20
Rosenberger Hochfrequenztechnik GmbH & Co. KG P.O.Box 1260 D-84526 Tittmoning Germany www.rosenberger.de						Tel. : +49 8684 18-0 Email : info@rosenberger.de	
						Page 2 / 2	