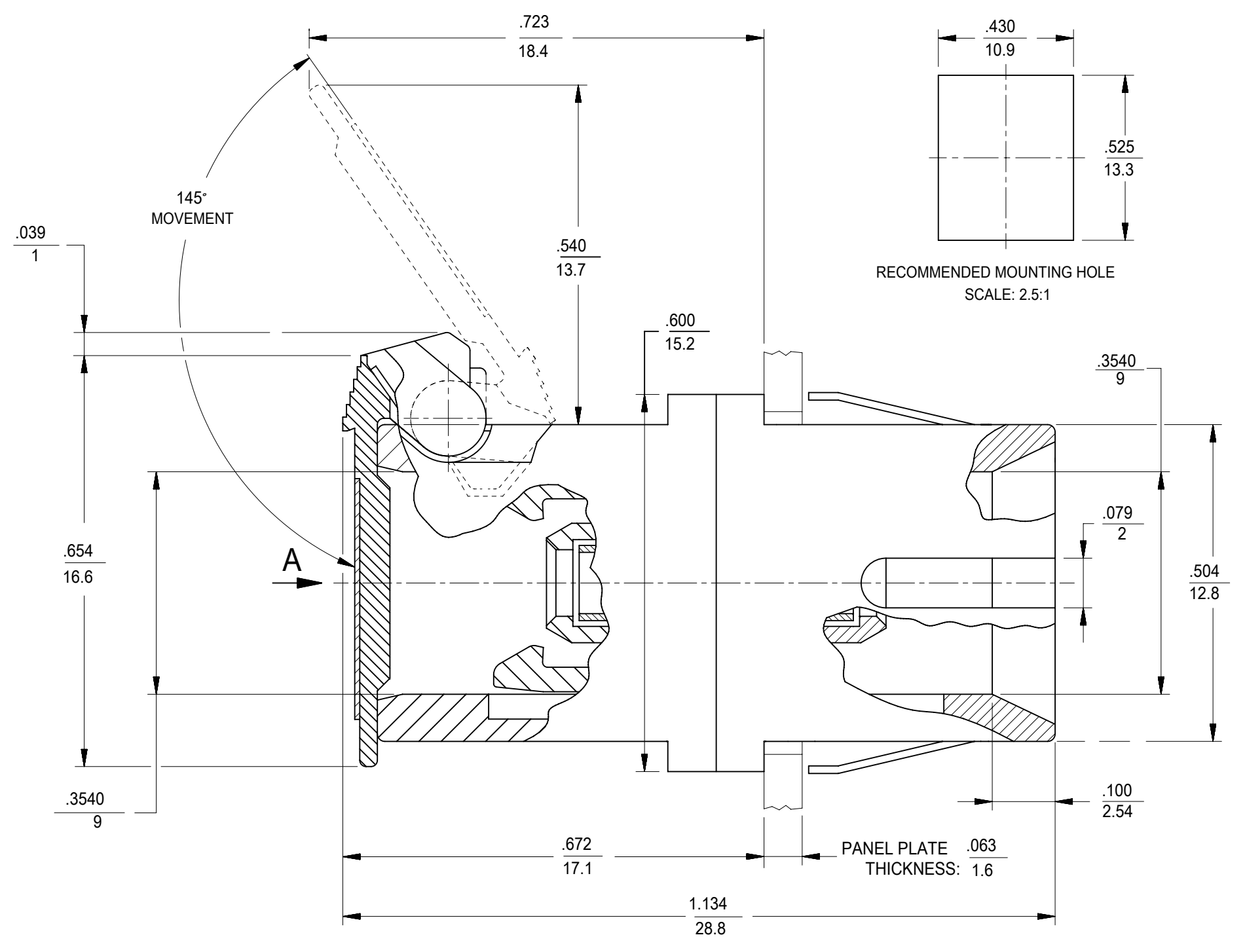
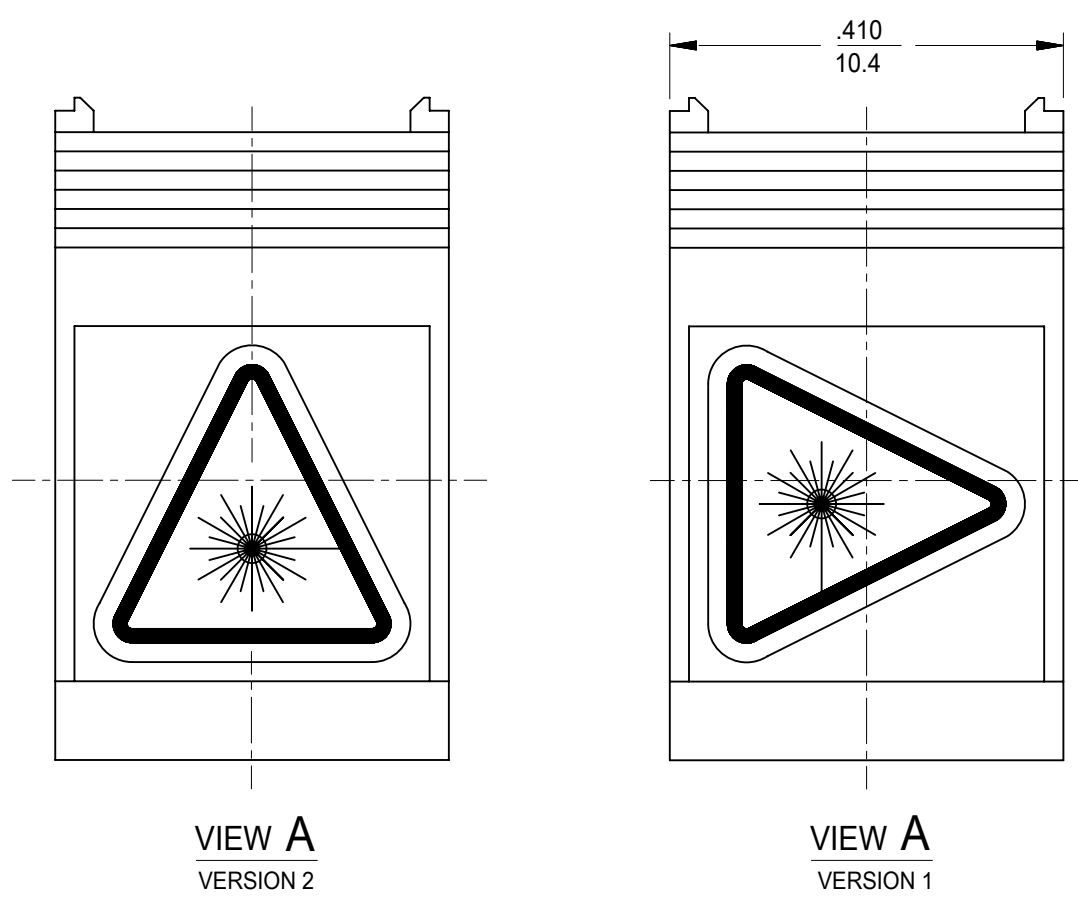


ADAPTER P/N	SPLIT SLEEVE MATERIAL	COLOR OF ADAPTER
106170-0400	ZR	BLACK
106171-0420	PHOSPHOR BRONZE	GREEN



NOTES:  
 1. LABEL MUST BE INSTALLED AND ORIENTED BY CUSTOMER. (SEE VIEW A)  
 2. DUST CAP NOT SHOWN, BUT INCLUDED.

THIS DRAWING CONTAINS INFORMATION THAT IS PROPRIETARY TO MOLEX ELECTRONIC TECHNOLOGIES, LLC AND SHOULD NOT BE USED WITHOUT WRITTEN PERMISSION									
DIMENSION UNITS <b>IN/MM</b>		SCALE <b>4:1</b>		CURRENT REV DESC:				<b>molex</b>	
GENERAL TOLERANCES (UNLESS SPECIFIED)				EC NO: 620216					
4 PLACES	±	MM	INCH	DRWN: AKUMAR19		2018/04/20		BSC ADAPTER WITH SHIELD	
3 PLACES	±			CHK'D: GGA		2019/07/09			
2 PLACES	±			APPR: GGA		2019/07/09		PRODUCT CUSTOMER DRAWING	
1 PLACE	±			INITIAL REVISION:					
0 PLACES	±			DRWN: RPACIFICI		2005/10/13		DOCUMENT NUMBER	
ANGULAR TOL ± 0.5°				APPR:				SD-10617X-X4X0	
DRAFT WHERE APPLICABLE MUST REMAIN WITHIN DIMENSIONS		THIRD ANGLE PROJECTION		DRAWING		SERIES		MATERIAL NUMBER	
		C-SIZE		106170		SEE TABLE		CUSTOMER	
						GENERAL MARKET		SHEET NUMBER	
								1 OF 1	

DOCUMENT STATUS	P1	RELEASE DATE	2019/07/09	04:12:25
-----------------	----	--------------	------------	----------