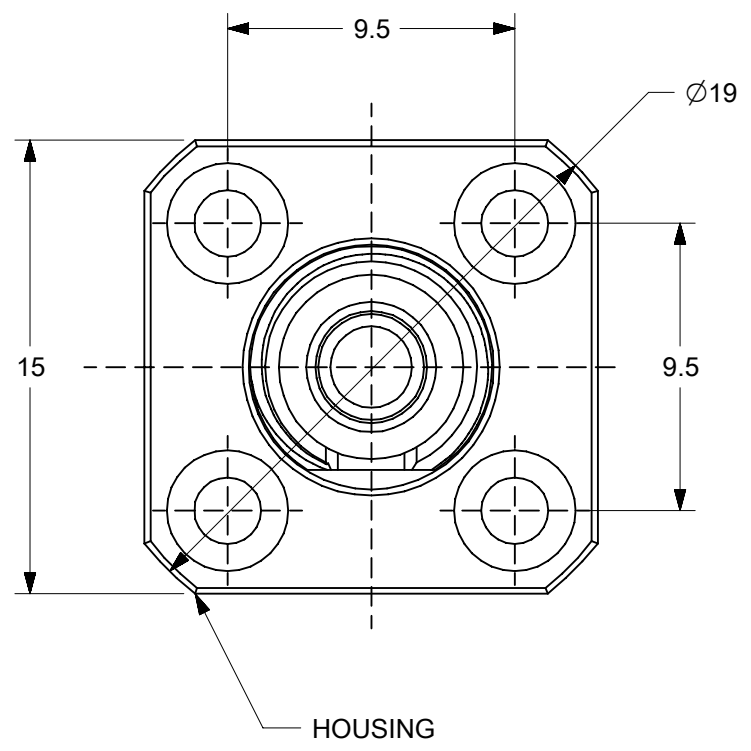
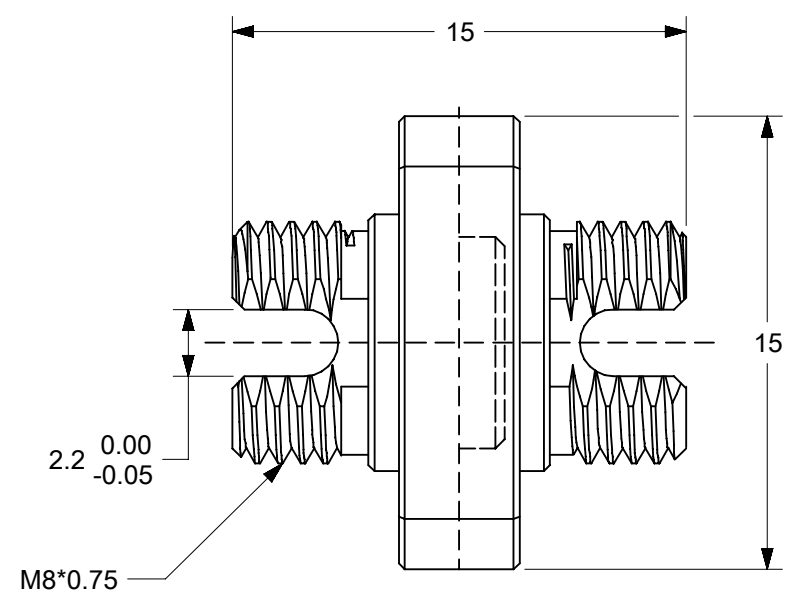
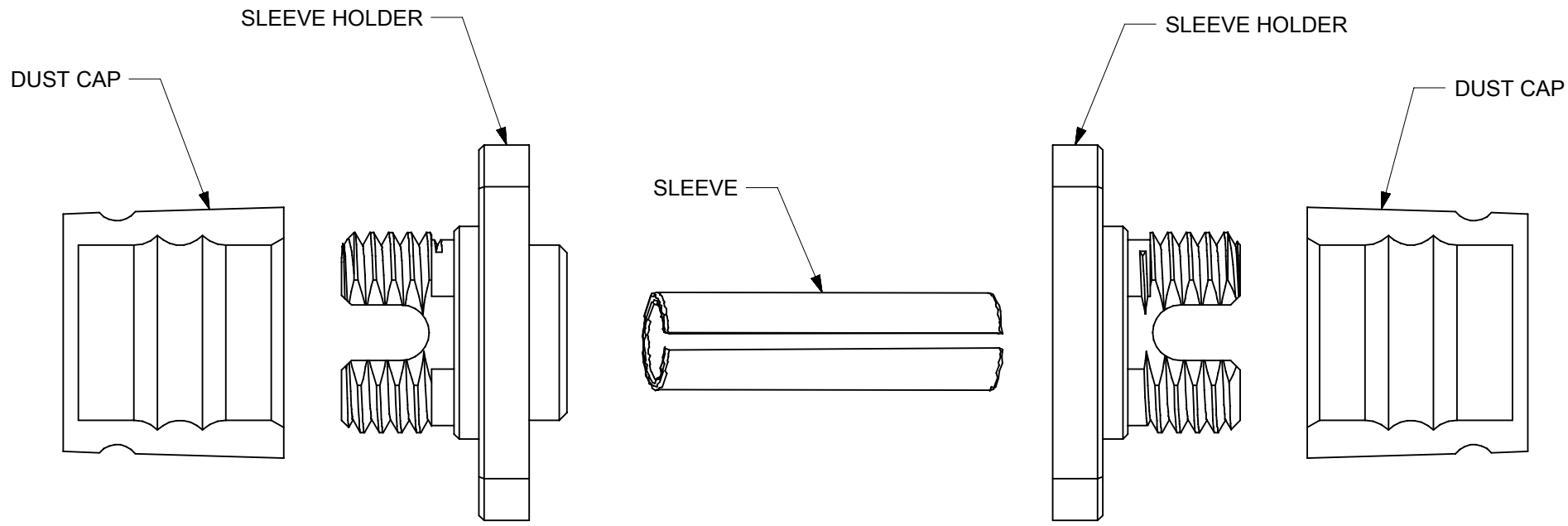


| | |
|--------------|--------------------|
| ADAPTER P/N | MATERIAL OF SLEEVE |
| 106152-0220* | ZR |



NOTES:

1. DIMENSIONS ARE FOR REFERENCE ONLY.
2. P/N 106152-0220 IS BULK PACKED PER OWI292.

| | | | | | | | | | |
|---|----|------------------------|---|---|--------|-----------------|----------|----------|--------------|
| THIS DRAWING CONTAINS INFORMATION THAT IS PROPRIETARY TO MOLEX ELECTRONIC TECHNOLOGIES, LLC AND SHOULD NOT BE USED WITHOUT WRITTEN PERMISSION | | | | | | | | | |
| DIMENSION UNITS | | SCALE | | CURRENT REV DESC: | | | | | |
| MM | | 4:1 | | molex FC ADAPTER PRODUCT CUSTOMER DRAWING EC NO: 624787 DRWN: VLOKESHA 2019/05/20 CHK'D: GGA 2019/11/11 APPR: GGA 2019/11/11 INITIAL REVISION: DRWN: KP 2007/02/09 APPR: 2007/02/09 | | | | | |
| GENERAL TOLERANCES (UNLESS SPECIFIED) | | | | | | | | | |
| | MM | INCH | | | | | | | |
| 4 PLACES | ± | ± | | | | | | | |
| 3 PLACES | ± | ± | | | | | | | |
| 2 PLACES | ± | ± | | | | | | | |
| 1 PLACE | ± | 0.3 | ± | DOCUMENT NUMBER | | | | | |
| 0 PLACES | ± | 0.5 | ± | SD-106152-0200 | | DOC TYPE | DOC PART | REVISION | |
| ANGULAR TOL | | ± 1.0 ° | | SEE TABLE | | PSD | 001 | B1 | |
| DRAFT WHERE APPLICABLE MUST REMAIN WITHIN DIMENSIONS | | THIRD ANGLE PROJECTION | | DRAWING | SERIES | MATERIAL NUMBER | | CUSTOMER | SHEET NUMBER |
| | | | | B-SIZE | 106152 | GENERAL MARKET | | 1 OF 1 | |

| | | | | |
|-----------------|----|--------------|------------|----------|
| DOCUMENT STATUS | P1 | RELEASE DATE | 2019/11/11 | 02:35:48 |
|-----------------|----|--------------|------------|----------|