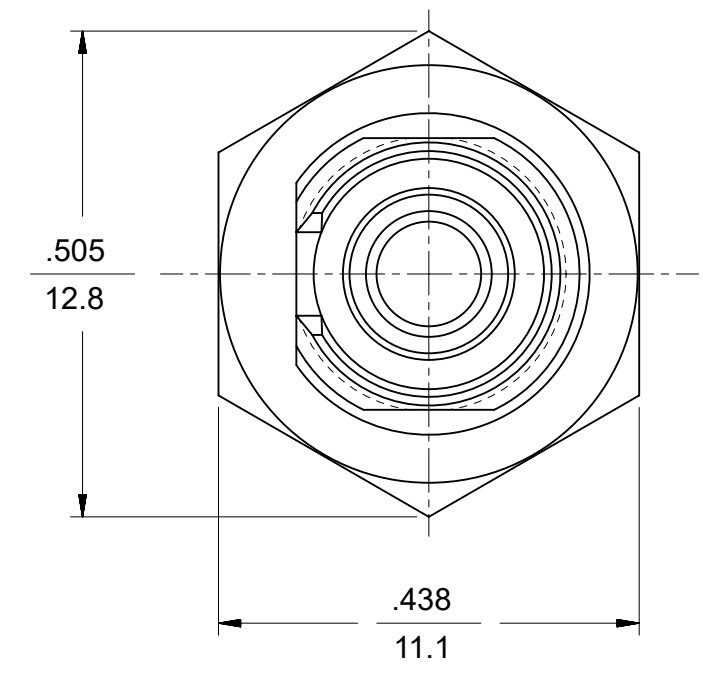
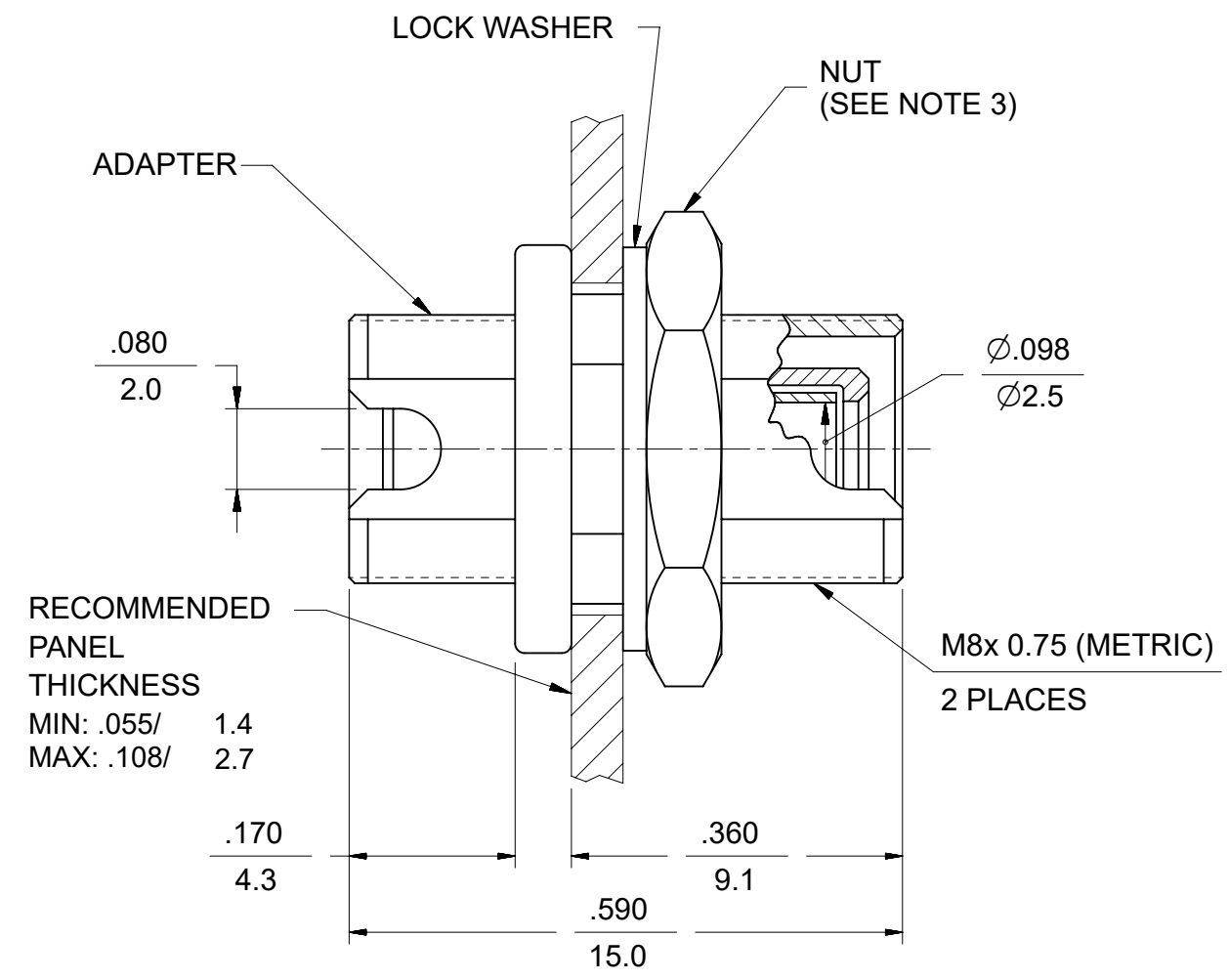
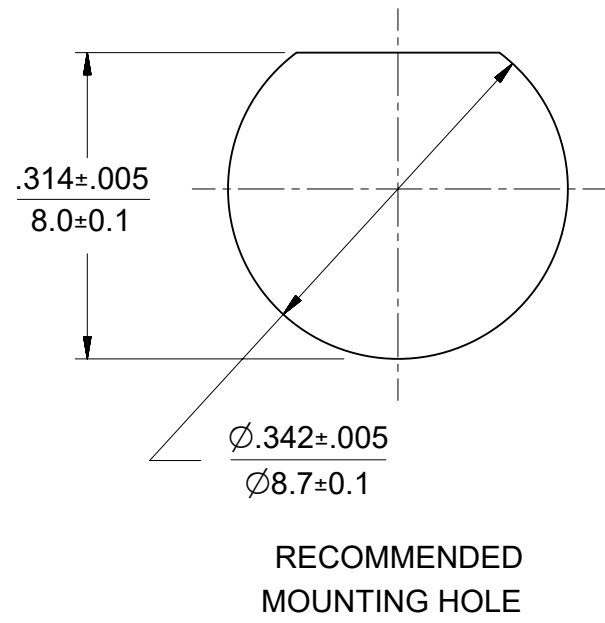


10	9
P/N OF ADAPTER	MATERIAL OF SLEEVE
106152-3000	CERAMIC



NOTES:

- FOR PANEL THICKNESS .080 TO .108, ELIMINATE LOCK WASHER.
- DUST CAPS ARE NOT SHOWN, BUT INCLUDED.
- TIGHTEN THE NUT TO 23 N-cm (2 lb-in)

THIS DRAWING CONTAINS INFORMATION THAT IS PROPRIETARY TO MOLEX ELECTRONIC TECHNOLOGIES, LLC AND SHOULD NOT BE USED WITHOUT WRITTEN PERMISSION									
DIMENSION UNITS		SCALE		CURRENT REV DESC: OBSOLETE PART NUMBER AS PER PCN 508518				<b>molex</b>	
IN/MM		5:1							
GENERAL TOLERANCES (UNLESS SPECIFIED)				EC NO: 652962		2021/01/13		FC ADAPTER ("D" HOLE, TIGHT FIT KEY)	
4 PLACES ±		±		DRWN: JHUANG18		2021/08/24		PRODUCT CUSTOMER DRAWING	
3 PLACES ±		±		CHK'D: WCHEN		2021/08/24		DOCUMENT NUMBER	
2 PLACES ±		±		APPR: WCHEN		2021/08/24		SD-10615X-3000	
1 PLACE ±		±		INITIAL REVISION:		2005/10/25		DOC TYPE DOC PART REVISION	
0 PLACES ±		±		DRWN: PGIBLIN		2005/10/25		PSD 001 B	
ANGULAR TOL ± 0.5°		±		APPR:				MATERIAL NUMBER CUSTOMER SHEET NUMBER	
DRAFT WHERE APPLICABLE MUST REMAIN WITHIN DIMENSIONS		THIRD ANGLE PROJECTION		DRAWING		SERIES		SEE TABLE GENERAL MARKET 1 OF 1	

DOCUMENT STATUS	P1	RELEASE DATE	2021/08/24	01:00:26
-----------------	----	--------------	------------	----------