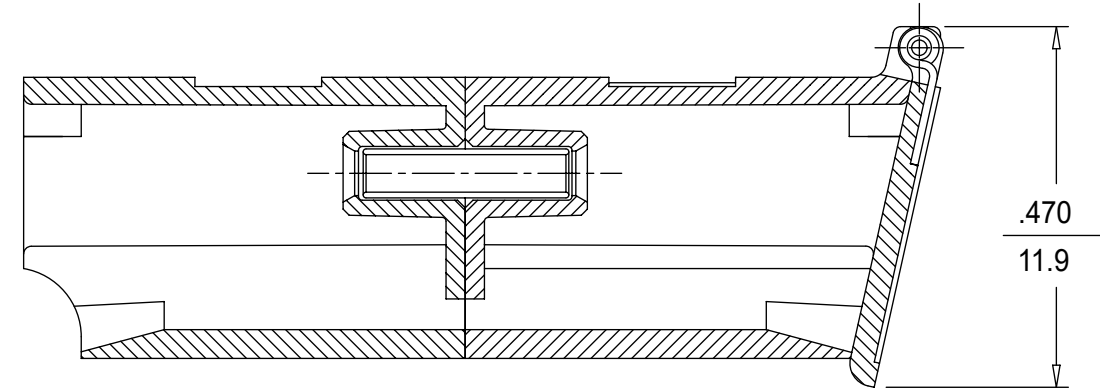
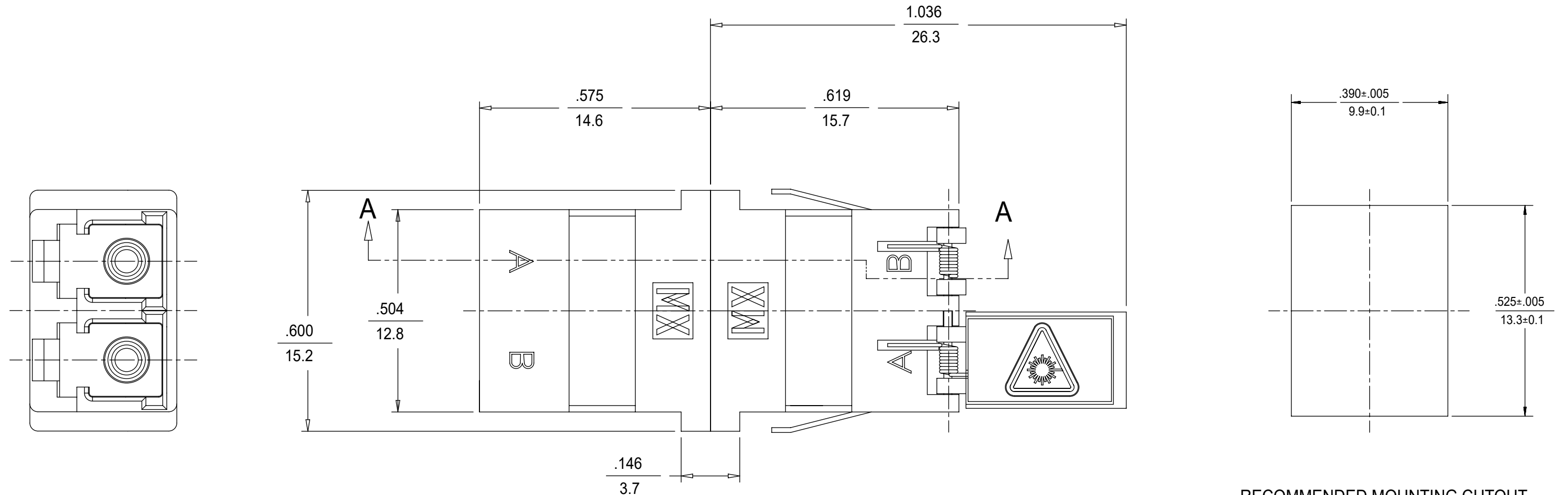
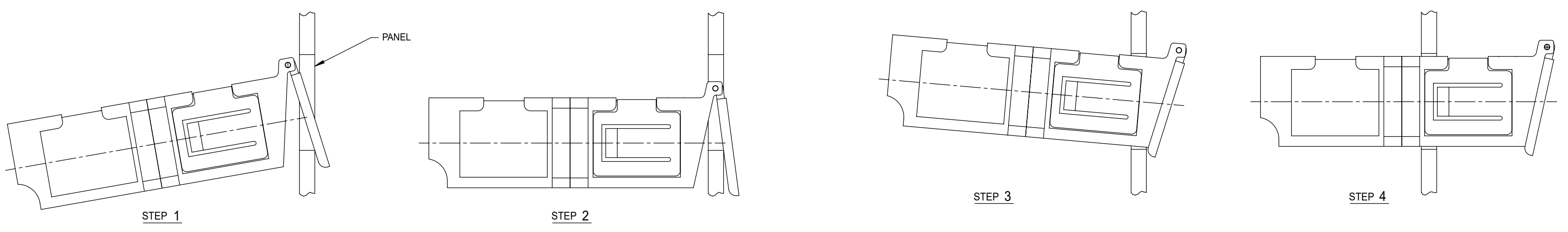


LC ADAPTER P/N	COLOR	SPLIT SLEEVE MATERIAL	DOOR TYPE
106127-0412	BEIGE	Zr	PLASTIC
106127-1455	GREEN		



SECTION A-A

RECOMMENDED MOUNTING CUTOUT
FOR $\frac{.063}{1.6}$ THICK PANEL



NOTES:
1. DUST CAPS ARE NOT SHOWN, BUT INCLUDED.

FUNCTIONAL SYMBOLS $\nabla_A = 0$ $\nabla_C = 0$ $\nabla_P = 0$ DIVISIONAL SYMBOLS 4 PLACES ± 3 PLACES ± 2 PLACES ± 1 PLACE ± 0 PLACES ±	THIS DRAWING CONTAINS INFORMATION THAT IS PROPRIETARY TO MOLEX ELECTRONIC TECHNOLOGIES, LLC AND SHOULD NOT BE USED WITHOUT WRITTEN PERMISSION		CURRENT REV DESC:					
	DIMENSION UNITS	SCALE	EC NO: 652962					
	INCH/MM	1:1	DRWN: SKRISHNAMU01	2021/05/31				
	GENERAL TOLERANCES (UNLESS SPECIFIED)		CHK'D: WCHEN	2021/08/24				
ANGULAR TOL ± 0.5°		APPR: WCHEN	2021/08/24	PRODUCT CUSTOMER DRAWING				
DRAFT WHERE APPLICABLE MUST REMAIN WITHIN DIMENSIONS		THIRD ANGLE PROJECTION	DRAWING	SERIES	DOCUMENT NUMBER	DOC TYPE	DOC PART	REVISION
			C-SIZE	106127	SD-106127-0412	PSD	001	C
					MATERIAL NUMBER	CUSTOMER	SHEET NUMBER	
					SEE TABLE	GENERAL MARKET	1 OF 1	