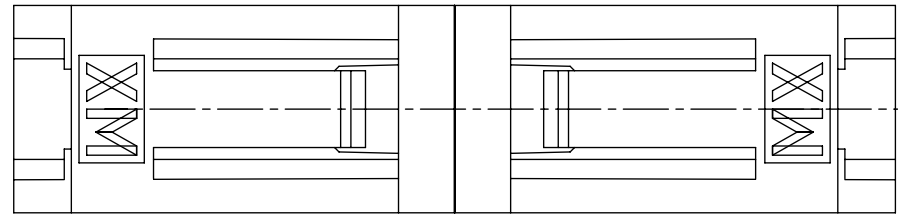
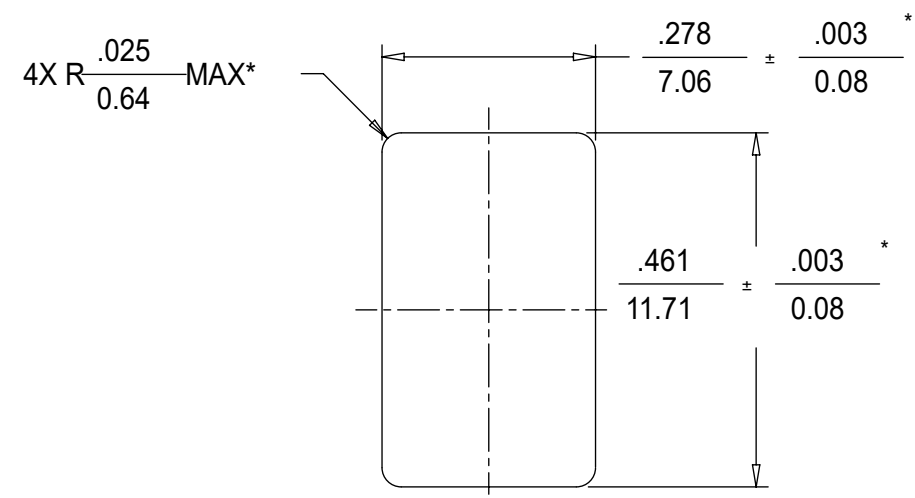
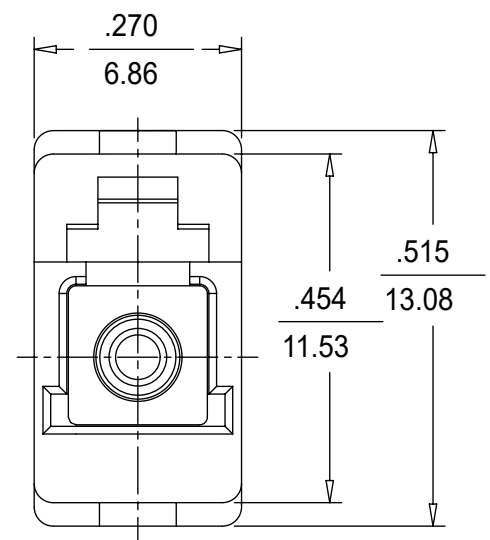
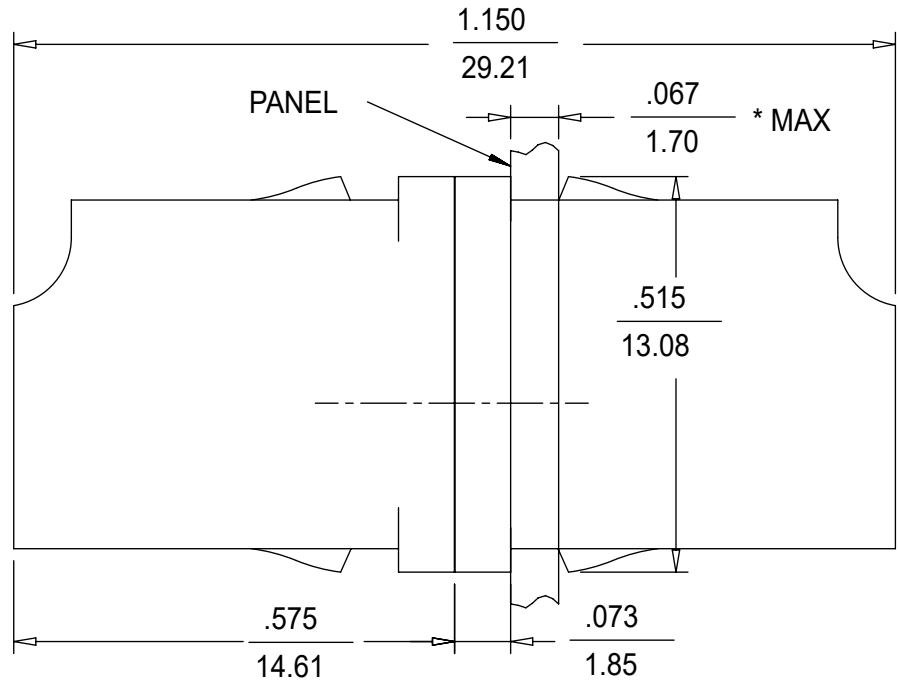


| ADAPTER P/N | COLOR | SPLIT SLEEVE MATERIAL       |
|-------------|-------|-----------------------------|
| 106124-1100 | BLUE  | ZIRCONIA - ZrO <sub>2</sub> |
| 106124-0110 | BEIGE |                             |
| 106124-1150 | GREEN |                             |
| 106124-0100 | BLUE  |                             |
| 106124-1110 | BEIGE |                             |
| 106124-1130 | BLACK |                             |



(DUST CAPS ARE NOT SHOWN)



NOTES:  
1. ALL DIMENSIONS ARE FOR REFERENCE ONLY, EXCEPT WHEN MARKED WITH (\*).

RECOMMENDED PANEL CUTOUT  
PANEL THICKNESS  $\frac{.067}{1.70}$  MAX.

|                    |   |       |   |  |                          |  |                |          |              |  |
|--------------------|---|-------|---|--|--------------------------|--|----------------|----------|--------------|--|
| FUNCTIONAL SYMBOLS | THIS DRAWING CONTAINS INFORMATION THAT IS PROPRIETARY TO MOLEX ELECTRONIC TECHNOLOGIES, LLC AND SHOULD NOT BE USED WITHOUT WRITTEN PERMISSION |       | CURRENT REV DESC:   |  | <b>molex</b>             |  |                |          |              |  |
|                    | DIMENSION UNITS   | SCALE |   |  |                          |  |                |          |              |  |
| $\nabla = 0$       | INCH/MM   | 1:1   | EC NO: 652962<br>DRWN: SKRISHNAMU01 2021/05/28<br>CHK'D: WCHEN 2021/08/24<br>APPR: WCHEN 2021/08/24 |  | LC ADAPTER               |  |                |          |              |  |
| $\nabla = 0$       | GENERAL TOLERANCES (UNLESS SPECIFIED)   |       |   |  |                          |  |                |          |              |  |
| $\nabla = 0$       | ANGULAR TOL ± 0.5°  |       |   |  | PRODUCT CUSTOMER DRAWING |  |                |          |              |  |
| DIVISIONAL SYMBOLS | 4 PLACES ±  |       | INITIAL REVISION:<br>DRWN: PGIBLIN 2005/10/25<br>APPR: IGUMIN 2005/10/26                            |  | DOCUMENT NUMBER          |  | DOC TYPE       | DOC PART | REVISION     |  |
|                    | 3 PLACES ±  |       |   |  | SD-106124-X1X0           |  | PSD            | 001      | C            |  |
|                    | 2 PLACES ±  |       |   |  | MATERIAL NUMBER          |  | CUSTOMER       |          | SHEET NUMBER |  |
|                    | 1 PLACE ±   |       |   |  | SEE TABLE                |  | GENERAL MARKET |          | 1 OF 1       |  |
|                    | 0 PLACES ±  |       | DRAFT WHERE APPLICABLE MUST REMAIN WITHIN DIMENSIONS  |  | THIRD ANGLE PROJECTION   |  | DRAWING        | SERIES   |              |  |
|                    |   |       | B-SIZE 106124   |  |                          |  |                |          |              |  |