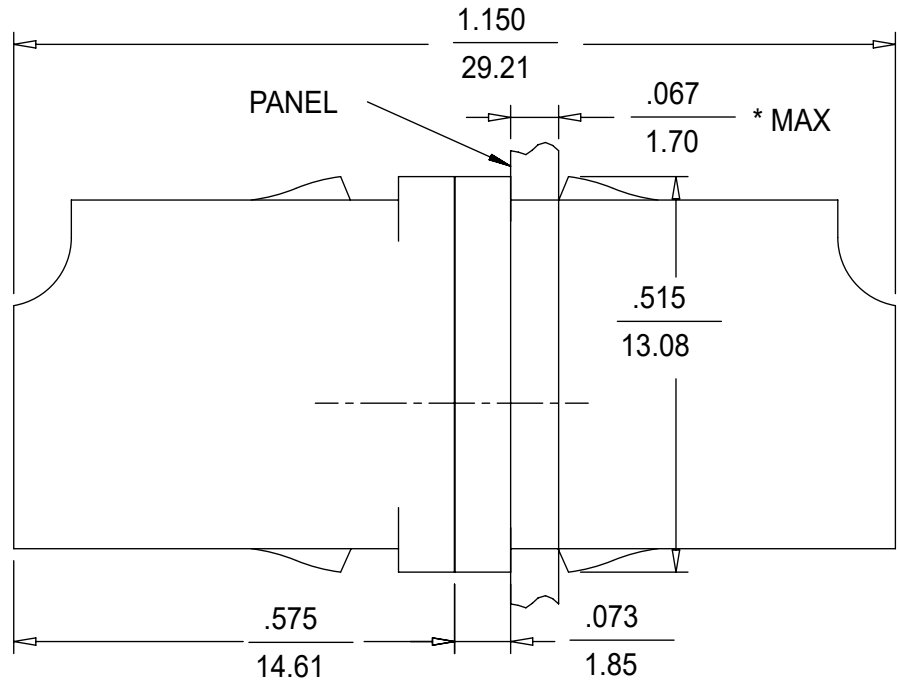
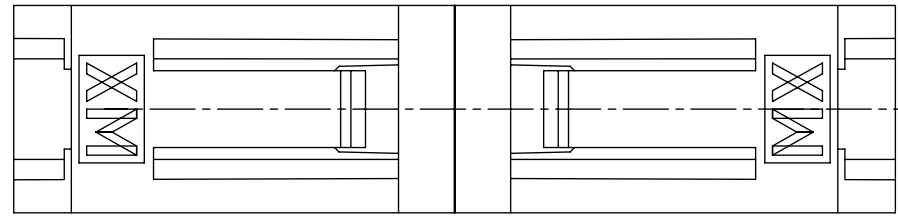
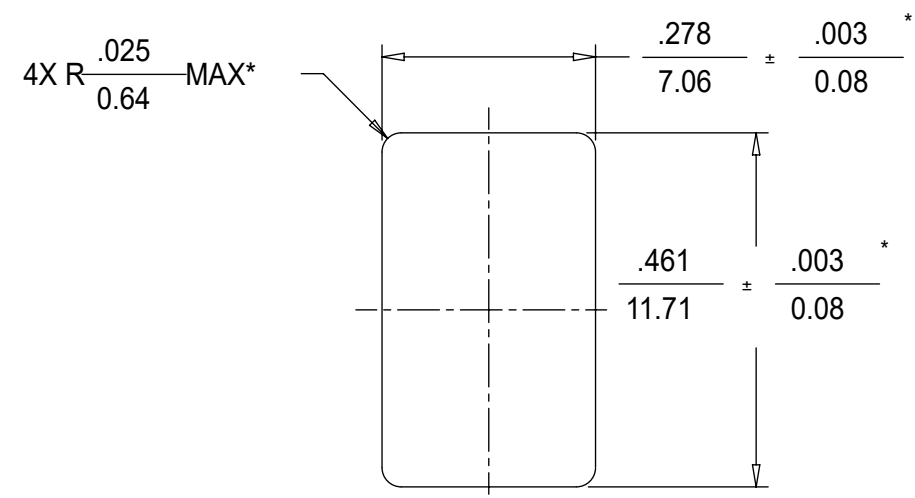
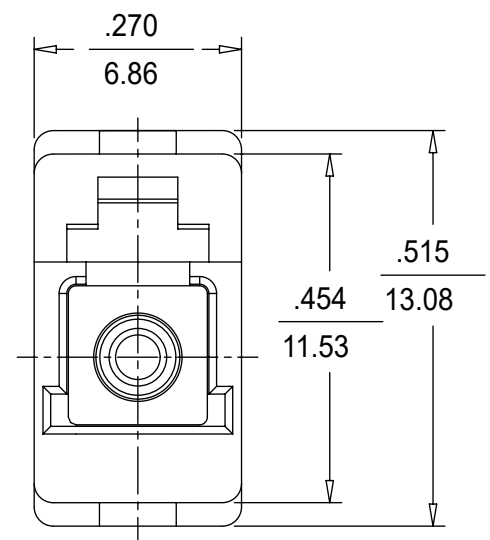


ADAPTER P/N	COLOR	SPLIT SLEEVE MATERIAL
106124-1100	BLUE	ZIRCONIA - ZrO ₂
106124-0110	BEIGE	
106124-1150	GREEN	
106124-0100	BLUE	
106124-1110	BEIGE	
106124-1130	BLACK	



(DUST CAPS ARE NOT SHOWN)



RECOMMENDED PANEL CUTOUT

PANEL THICKNESS $\frac{.067}{1.70}$ MAX.

NOTES:

- ALL DIMENSIONS ARE FOR REFERENCE ONLY, EXCEPT WHEN MARKED WITH (*).

FUNCTIONAL SYMBOLS	THIS DRAWING CONTAINS INFORMATION THAT IS PROPRIETARY TO MOLEX ELECTRONIC TECHNOLOGIES, LLC AND SHOULD NOT BE USED WITHOUT WRITTEN PERMISSION		CURRENT REV DESC:		molex					
	DIMENSION UNITS	SCALE								
	$\frac{E}{A} = 0$	INCH/MM	1:1	EC NO: 652962 DRWN: SKRISHNAMU01 2021/05/28 CHK'D: WCHEN 2021/08/24 APPR: WCHEN 2021/08/24		LC ADAPTER				
	$\frac{E}{B} = 0$	GENERAL TOLERANCES (UNLESS SPECIFIED)								
$\frac{E}{C} = 0$	ANGULAR TOL ± 0.5°		PRODUCT CUSTOMER DRAWING							
DIVISIONAL SYMBOLS	4 PLACES ±		INITIAL REVISION: DRWN: PGIBLIN 2005/10/25 APPR: IGUMIN 2005/10/26		DOCUMENT NUMBER		DOC TYPE	DOC PART	REVISION	
	3 PLACES ±				SD-106124-X1X0		PSD	001	C	
	2 PLACES ±				MATERIAL NUMBER		CUSTOMER		SHEET NUMBER	
	1 PLACE ±				SEE TABLE		GENERAL MARKET		1 OF 1	
	0 PLACES ±		DRAFT WHERE APPLICABLE MUST REMAIN WITHIN DIMENSIONS		THIRD ANGLE PROJECTION		DRAWING	SERIES		
			B-SIZE		106124					