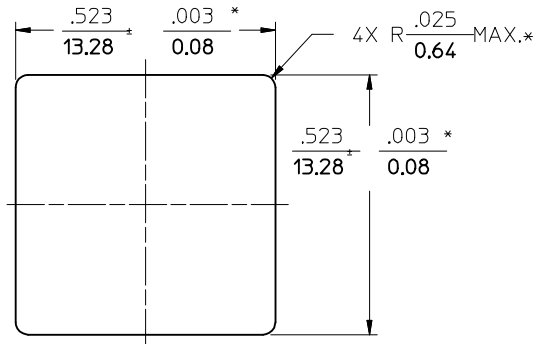
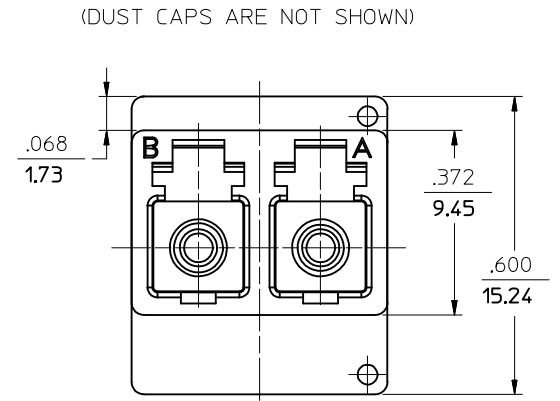
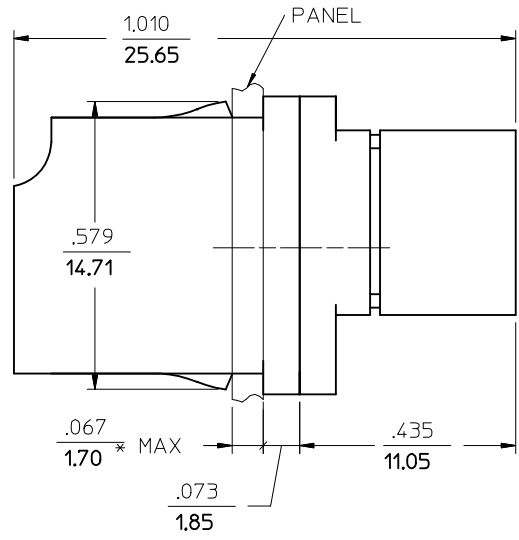
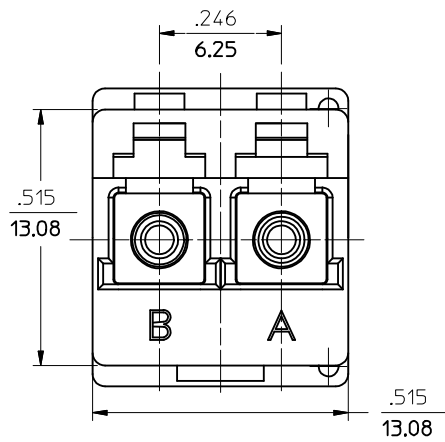


ADAPTER P/N	COLOR	SPLIT SLEEVE MATERIAL
106125-1000	BLUE	ZIRCONIA - ZrO ₂
106125-0010	BEIGE	Ph. Bronze
106125-1050	GREEN	ZIRCONIA - ZrO ₂
106125-0000	BLUE	Ph. Bronze
106125-1010	BEIGE	ZIRCONIA - ZrO ₂
106125-1090	RED	ZIRCONIA - ZrO ₂
106125-1070 SEE NOTE 2	BLUE	ZIRCONIA - ZrO ₂

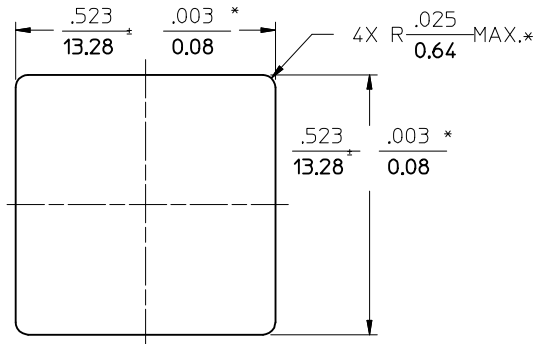
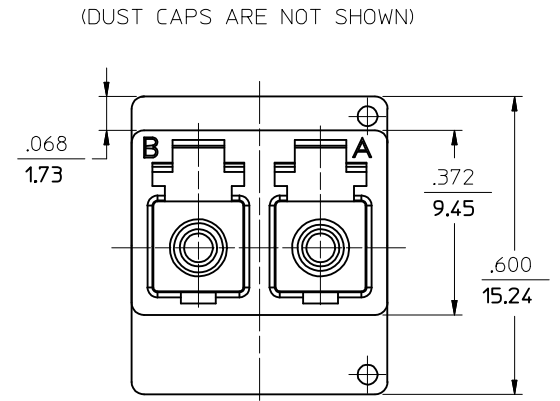
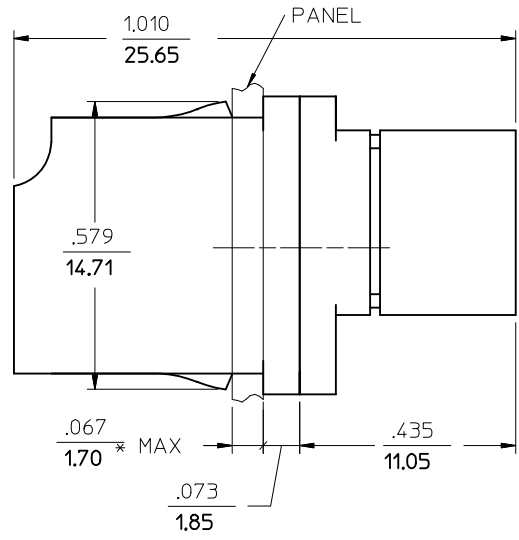
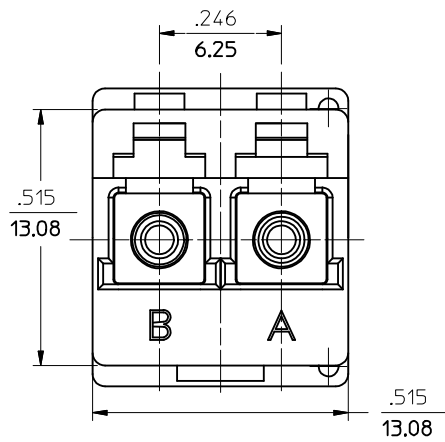


RECOMMENDED PANEL CUTOUT
 PANEL THICKNESS $\frac{.067}{1.70}$ MAX.

- NOTES:
- ALL DIMENSIONS ARE FOR REFERENCE ONLY, EXCEPT WHEN MARKED WITH (*).
 - ADAPTERS 1061251070 ARE BULK PACKAGED 10 pcs PER BAG.

ENTER DESCRIPTION EC NO: MF2016-0179 DRAWN: YBEDNYAK 2015/09/16 CHKD: APPR: LGUMIN 2015/09/16 A4	QUALITY SYMBOLS ▽=0 ▽=0	GENERAL TOLERANCES (UNLESS SPECIFIED) <table border="1"> <thead> <tr> <th></th> <th>mm</th> <th>INCH</th> </tr> </thead> <tbody> <tr> <td>4 PLACES</td> <td>± ---</td> <td>± ---</td> </tr> <tr> <td>3 PLACES</td> <td>± ---</td> <td>± ---</td> </tr> <tr> <td>2 PLACES</td> <td>± ---</td> <td>± ---</td> </tr> <tr> <td>1 PLACE</td> <td>± ---</td> <td>± ---</td> </tr> <tr> <td>0 PLACE</td> <td>±</td> <td>±</td> </tr> </tbody> </table>		mm	INCH	4 PLACES	± ---	± ---	3 PLACES	± ---	± ---	2 PLACES	± ---	± ---	1 PLACE	± ---	± ---	0 PLACE	±	±	DIMENSION STYLE IN/MM	SCALE 4:1	DESIGN UNITS INCH	THIRD ANGLE PROJECTION
		mm	INCH																					
	4 PLACES	± ---	± ---																					
	3 PLACES	± ---	± ---																					
2 PLACES	± ---	± ---																						
1 PLACE	± ---	± ---																						
0 PLACE	±	±																						
MATERIAL NO. SEE TABLE		DRAWN BY PGIBLIN DATE 2005/10/03		TITLE LC DUPLEX ADAPTER, LOW PROFILE		SHEET NO. 1 OF 1																		
DRAFT WHERE APPLICABLE MUST REMAIN WITHIN DIMENSIONS		CHECKED BY DATE		DOCUMENT NO. SD-106125-X0X0																				
THIS DRAWING CONTAINS INFORMATION THAT IS PROPRIETARY TO MOLEX INCORPORATED AND SHOULD NOT BE USED WITHOUT WRITTEN PERMISSION																								

ADAPTER P/N	COLOR	SPLIT SLEEVE MATERIAL
106125-1000	BLUE	ZIRCONIA - ZrO ₂
106125-0010	BEIGE	Ph. Bronze
106125-1050	GREEN	ZIRCONIA - ZrO ₂
106125-0000	BLUE	Ph. Bronze
106125-1010	BEIGE	ZIRCONIA - ZrO ₂
106125-1090	RED	ZIRCONIA - ZrO ₂
106125-1070 SEE NOTE 2	BLUE	ZIRCONIA - ZrO ₂



RECOMMENDED PANEL CUTOUT
 PANEL THICKNESS $\frac{.067}{1.70}$ MAX.

- NOTES:
- ALL DIMENSIONS ARE FOR REFERENCE ONLY, EXCEPT WHEN MARKED WITH (*).
 - ADAPTERS 1061251070 ARE BULK PACKAGED 10 pcs PER BAG.

ENTER DESCRIPTION EC NO: MF2016-0179 DRAWN: YBEDNYAK 2015/09/16 CHKD: APPR: LGUMIN 2015/09/16 A4	QUALITY SYMBOLS ▽=0 ▽=0	GENERAL TOLERANCES (UNLESS SPECIFIED)		DIMENSION STYLE IN/MM		SCALE 4:1	DESIGN UNITS INCH	THIRD ANGLE PROJECTION			
		4 PLACES ± --- ± --- 3 PLACES ± --- ± --- 2 PLACES ± --- ± --- 1 PLACE ± --- ± --- 0 PLACE ± ±	mm INCH	DRAWN BY PGIBLIN	DATE 2005/10/03	TITLE LC DUPLEX ADAPTER, LOW PROFILE					
		DRAFT WHERE APPLICABLE MUST REMAIN WITHIN DIMENSIONS		CHECKED BY	DATE						
		MATERIAL NO. SEE TABLE		APPROVED BY		DATE	DOCUMENT NO. SD-106125-X0X0				SHEET NO. 1 OF 1

molex

THIS DRAWING CONTAINS INFORMATION THAT IS PROPRIETARY TO MOLEX INCORPORATED AND SHOULD NOT BE USED WITHOUT WRITTEN PERMISSION