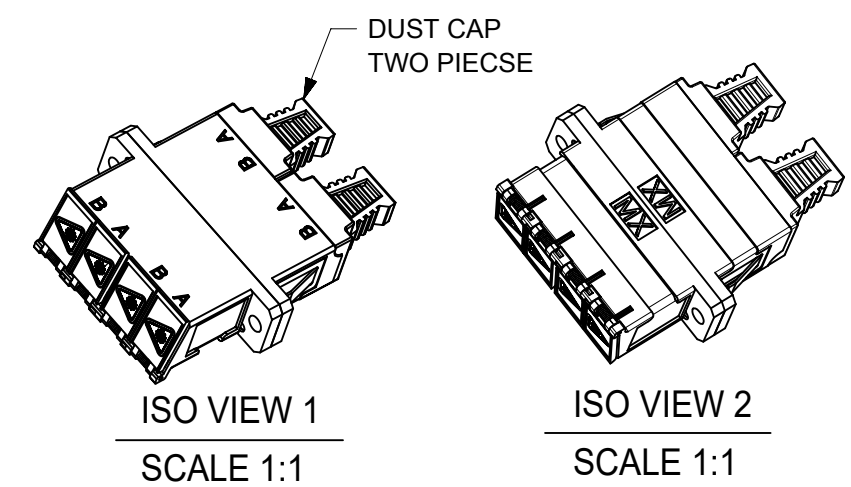
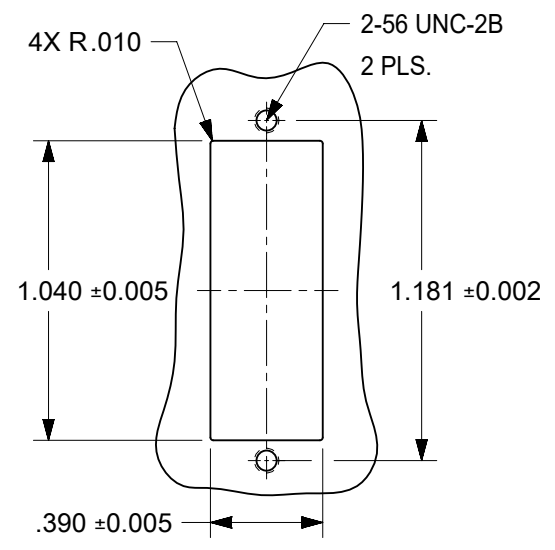
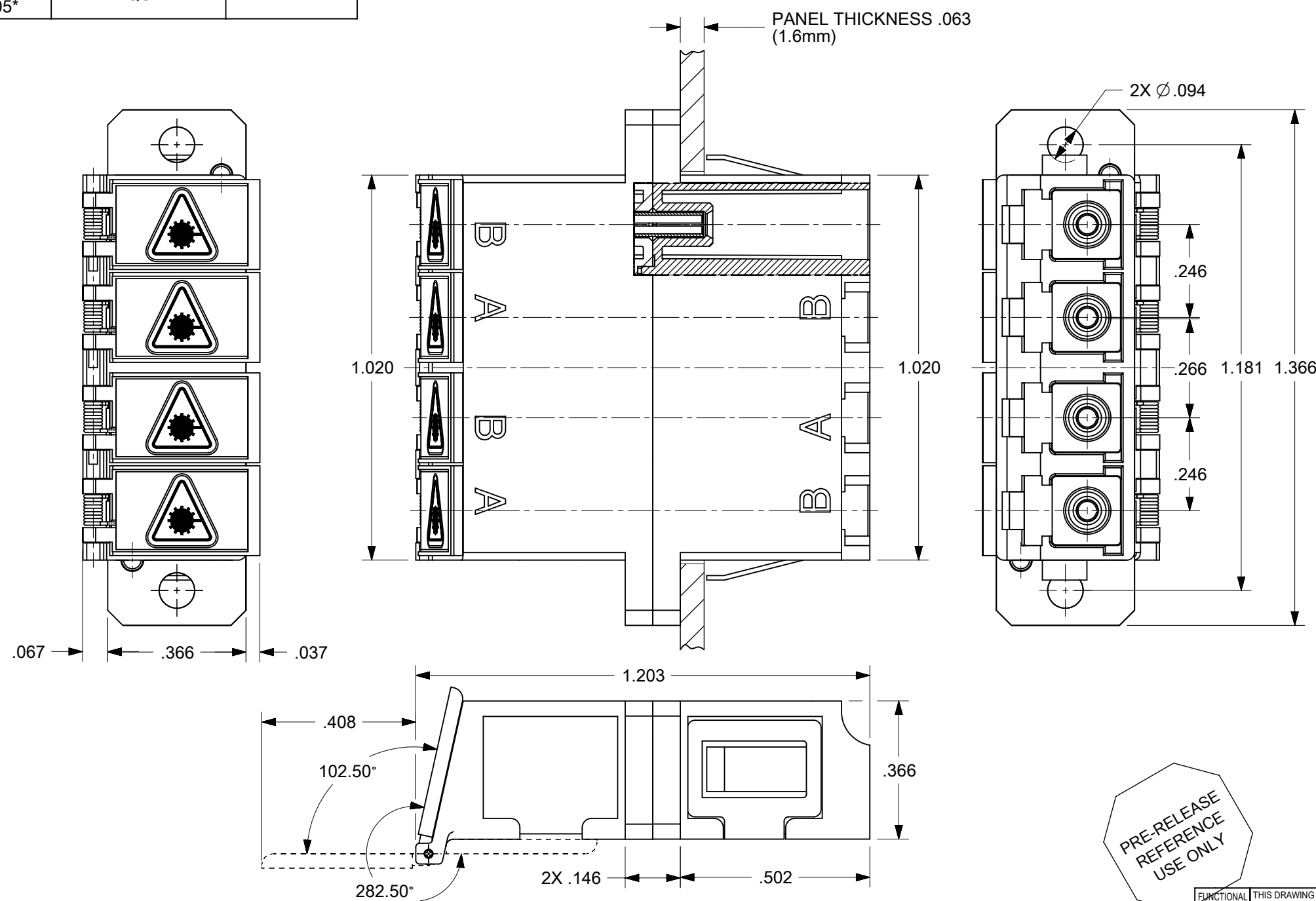


LC QUAD ADAPTER P/N	LC QUAD ADAPTER COLOR	SPLIT SLEEVE MATERIAL
106123-0200	BLUE	ZR
106123-0205*		
106123-1200	BEIGE	
106123-1205*		
106123-2200	GREEN	
106123-3200	AQUA	
106123-3205*		



PRE-RELEASE REFERENCE USE ONLY

**NOTES:**

1. ALL DIMENSIONS ARE FOR REFERENCE
2. DUST CAPS NOT SHOWN ON FRONT, BOTTOM AND RIGHT VIEW.
3. LC QUAD ADAPTER HAS SC DUPLEX ADAPTER FOOTPRINT.
- \*4. P/NS MARKED WITH(\*) ARE BULK PACKED IN QUANTITIES OF 100PCS

FUNCTIONAL SYMBOLS	THIS DRAWING CONTAINS INFORMATION THAT IS PROPRIETARY TO MOLEX ELECTRONIC TECHNOLOGIES, LLC AND SHOULD NOT BE USED WITHOUT WRITTEN PERMISSION		CURRENT REV DESC:			
∇ = 0	DIMENSION UNITS	SCALE				
∇ = 0	INCH	4:1				
∇ = 0	GENERAL TOLERANCES (UNLESS SPECIFIED)					
	ANGULAR TOL ± °					
	4 PLACES ±					
DIVISIONAL SYMBOLS	3 PLACES ±		EC NO: 689237			
	2 PLACES ±		DRWN: JHUANG18 2021/12/10			
	1 PLACE ±		CHKD: IGUMIN 2021/12/21			
	0 PLACES ±		APPR: IGUMIN 2021/12/21			
	DRAFT WHERE APPLICABLE MUST REMAIN WITHIN DIMENSIONS		INITIAL REVISION:			
	THIRD ANGLE PROJECTION		DRWN: PGIBLIN 2005/12/06			
	DRAWING		APPR: IGUMIN 2005/12/06			
	SERIES		DOCUMENT NUMBER			
	B-SIZE		SD-106123-X200			
	MATERIAL NUMBER		DOC TYPE			
	SEE TABLE		PSD			
	CUSTOMER		DOC PART			
	GENERAL MARKET		001			
	SHEET NUMBER		REVISION			
	1 OF 1		B			