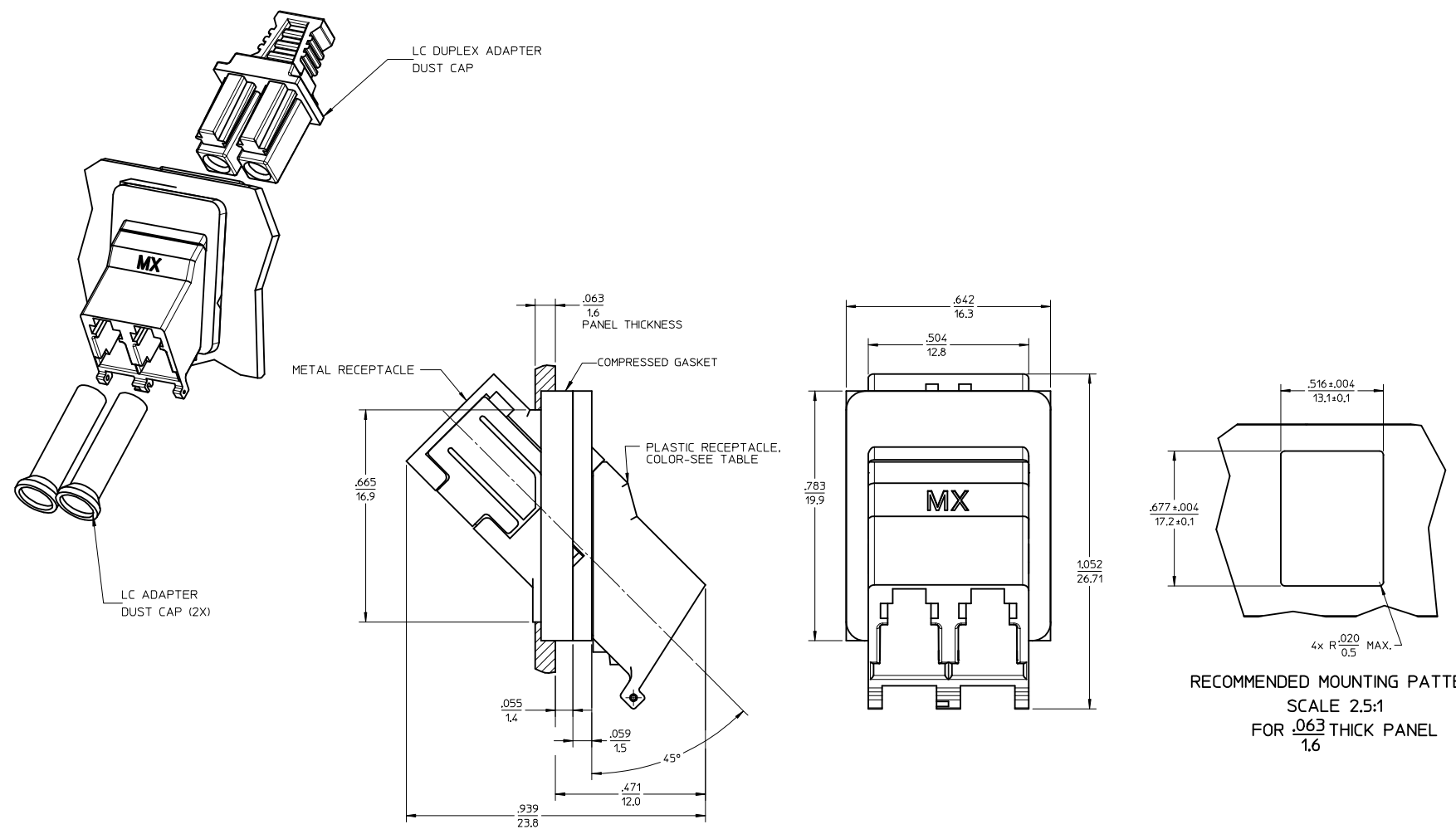


ADAPTER P/N	PLASTIC RECEPTACLE COLOR	SPLIT SLEEVE MATERIAL
106115-4150	BLUE	Zr
106115-4151	GREEN	Zr

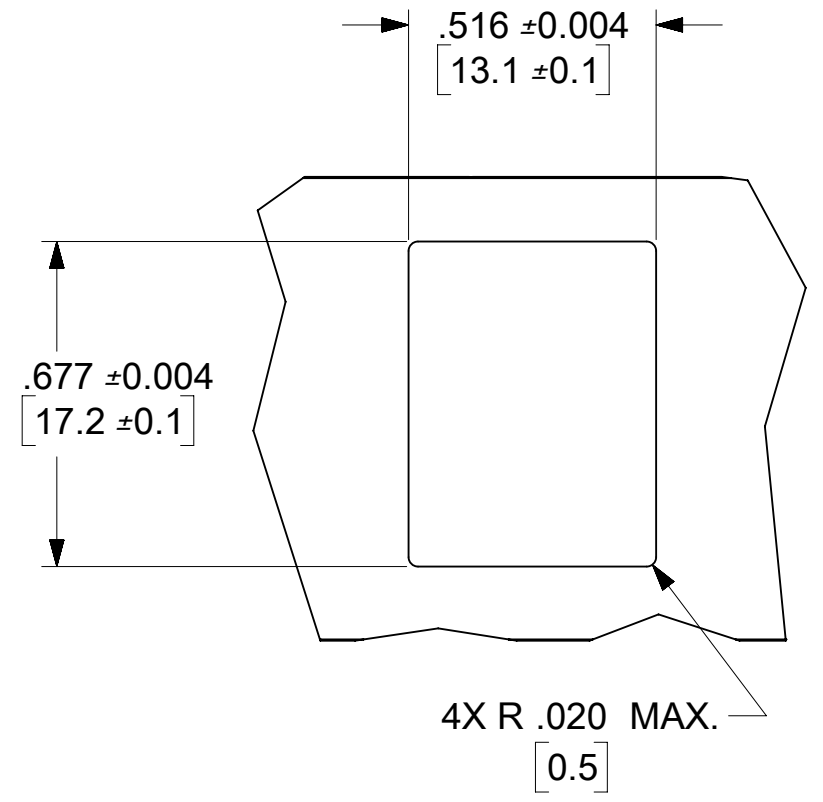
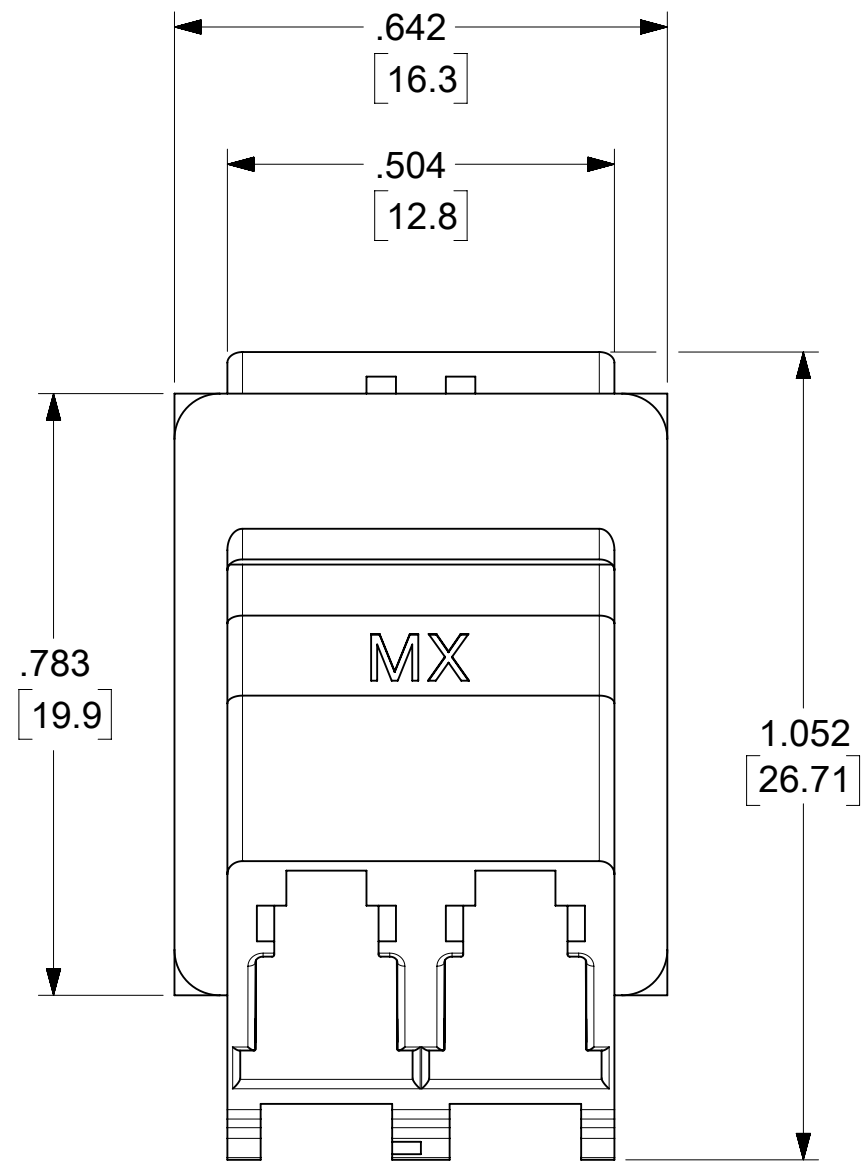
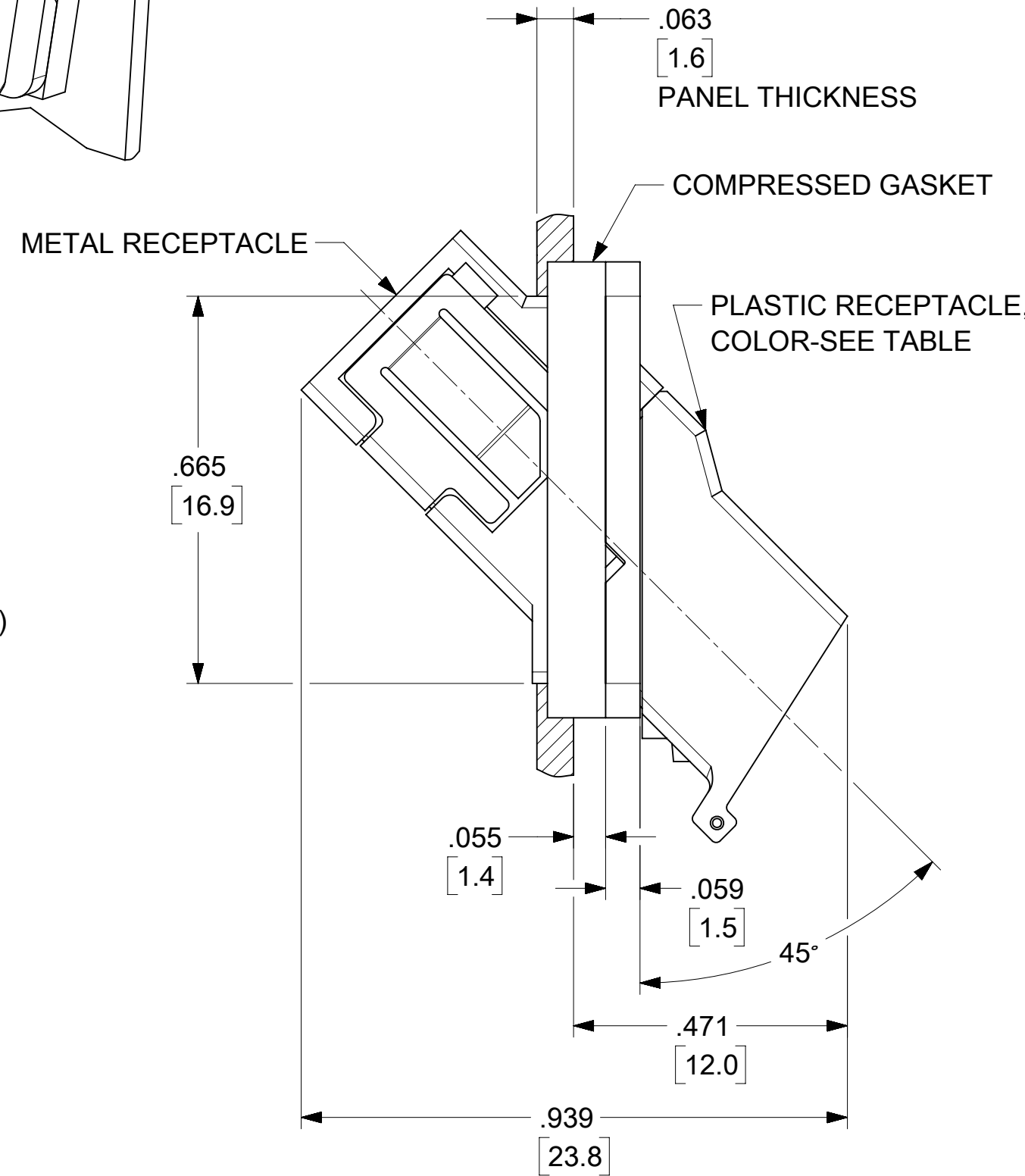
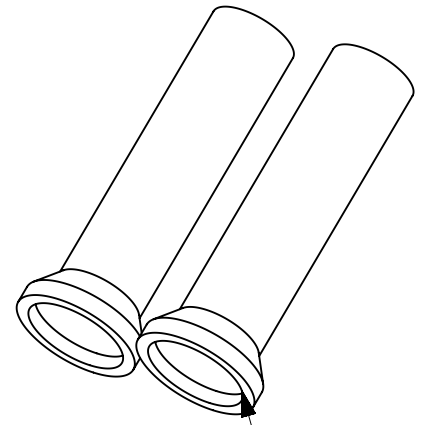
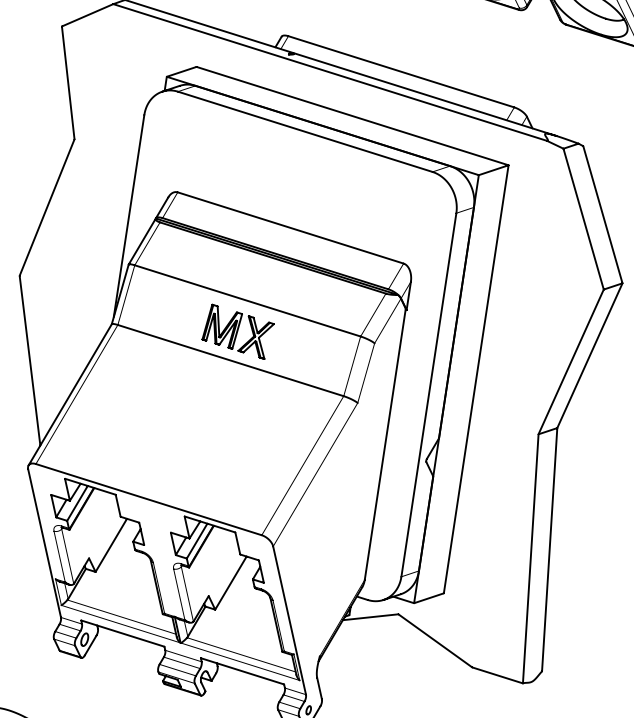
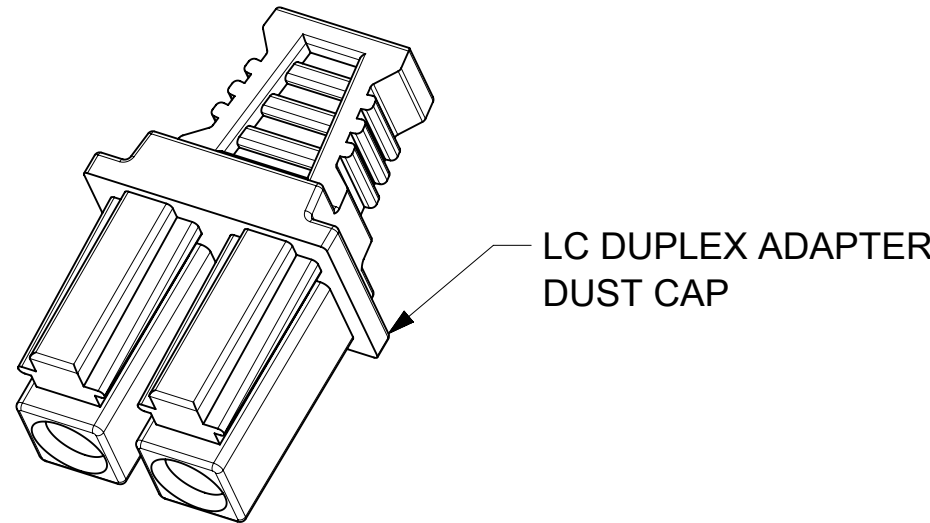


RECOMMENDED MOUNTING PATTERN  
SCALE 2.5:1  
FOR .063 THICK PANEL  
1.6

- NOTES:
- DIMENSIONS SHOWN ARE FOR REFERENCE ONLY.
  - CONDUCTIVE FABRIC OVER FOAM GASKET (SHOWN COMPRESSED) IS SUPPLIED WITH THE PART.
  - PACKAGING: 25 ADAPTERS PER TRAY AND 4 TRAYS PER BOX.

ENTER DESCRIPTION EC NO: MF2015-0214 DRWN:MAGHAYERE 2014/10/13 CHKD: APPR:GJMIN 2014/11/11 REV:	QUALITY SYMBOLS	GENERAL TOLERANCES (UNLESS SPECIFIED)		DIMENSION STYLE IN/MM		SCALE 4:1	DESIGN UNITS INCH	THIRD ANGLE PROJECTION	
	▽=0	mm	INCH	DRAWN BY	DATE	TITLE <b>LC-D EMI ADAPTER, 45 DEGREE (SNAP MOUNT) WITHOUT SHUTTER DOORS</b> <b>molex</b>			
	▽=0	4 PLACES ±	3 PLACES ±	L.SADAUSKAS	2006/12/18				
	▽=0	2 PLACES ±	1 PLACES ±	CHECKED BY	DATE	APPROVED BY I.GUMIN 2006/12/27 MATERIAL NO. <b>SEE TABLE</b>			
▽=0	0 PLACE ±	DRAFT WHERE APPLICABLE MUST REMAIN WITHIN DIMENSIONS	APPROVED BY	DATE	DOCUMENT NO. SD-106115-4150				
D1	REV	THIS DRAWING CONTAINS INFORMATION THAT IS PROPRIETARY TO MOLEX INCORPORATED AND SHOULD NOT BE USED WITHOUT WRITTEN PERMISSION							

ADAPTER P/N	PLASTIC RECEPTACLE COLOR	SPLIT SLEEVE MATERIAL
1061154150	BLUE	Zr
1061154151	GREEN	Zr



RECOMMENDED MOUNTING PATTERN  
 SCALE 2.5:1  
 FOR  $\frac{.063}{1.6}$  THICK PANEL

NOTES:

- DIMENSIONS SHOWN ARE FOR REFERENCE ONLY.
- CONDUCTIVE FABRIC OVER FOAM GASKET (SHOWN COMPRESSED) IS SUPPLIED WITH THE PART.
- PACKAGING: 25 ADAPTERS PER TRAY AND 4 TRAYS PER BOX.

THIS DRAWING CONTAINS INFORMATION THAT IS PROPRIETARY TO MOLEX ELECTRONIC TECHNOLOGIES, LLC AND SHOULD NOT BE USED WITHOUT WRITTEN PERMISSION									
SYMBOLS		DIMENSION UNITS		SCALE		CURRENT REV DESC:			
▽ = 0	in/mm	4:1							
▽ = 0	GENERAL TOLERANCES (UNLESS SPECIFIED)								
▽ = 0		MM	INCH						
▽ = 0	4 PLACES	±	±			EC NO: 607999			
▽ = 0	3 PLACES	±	±			DRWN: GSHARMA		2018/11/09	
▽ = 0	2 PLACES	±	±			CHK'D: IGUMIN		2018/11/21	
▽ = 0	1 PLACE	±	±			APPR: WCHEN		2018/11/29	
▽ = 0	0 PLACES	±	±			INITIAL REVISION:			
▽ = 0	ANGULAR TOL	±	0.5°			DRWN: LSADAUSKIENE		2007/01/03	
▽ = 0	DRAFT WHERE APPLICABLE MUST REMAIN WITHIN DIMENSIONS			THIRD ANGLE PROJECTION		DRAWING		SERIES	
▽ = 0				C-SIZE		106115			

DOCUMENT NUMBER				DOC TYPE	DOC PART	REVISION
SD-106115-4150				PSD	001	D2
MATERIAL NUMBER		CUSTOMER		SHEET NUMBER		
SEE TABLE		GENERAL MARKET		1 OF 1		