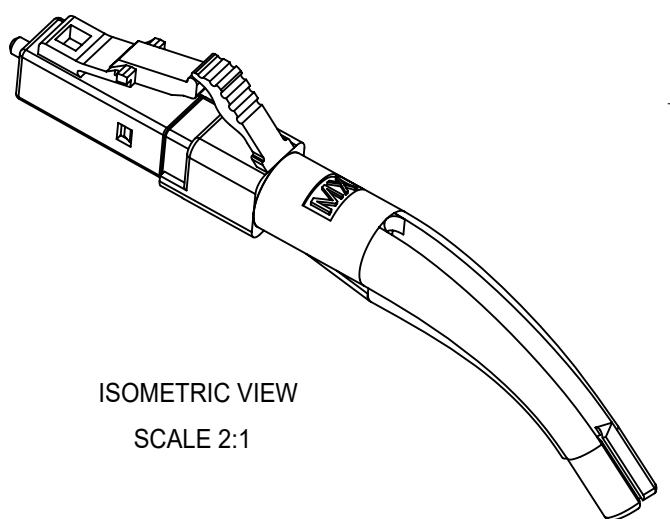
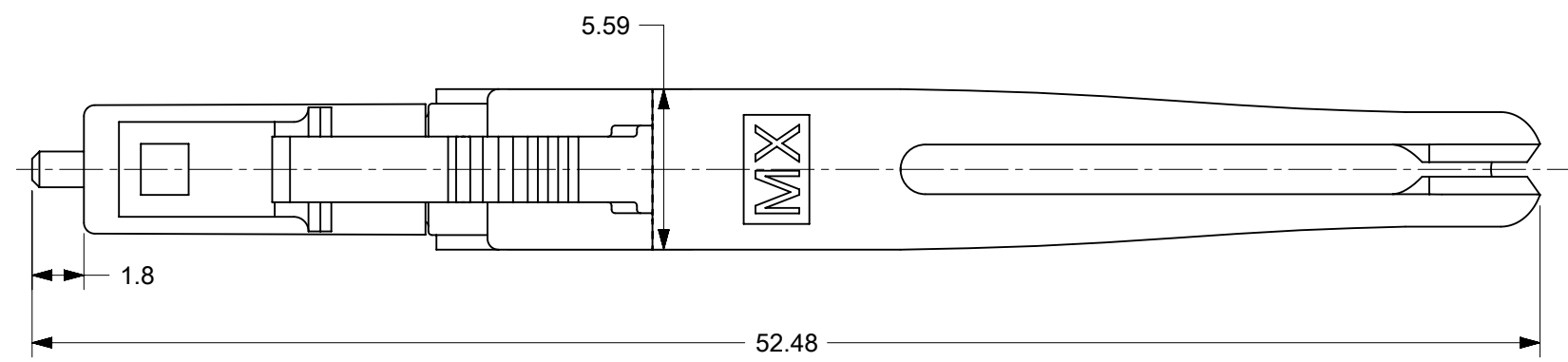
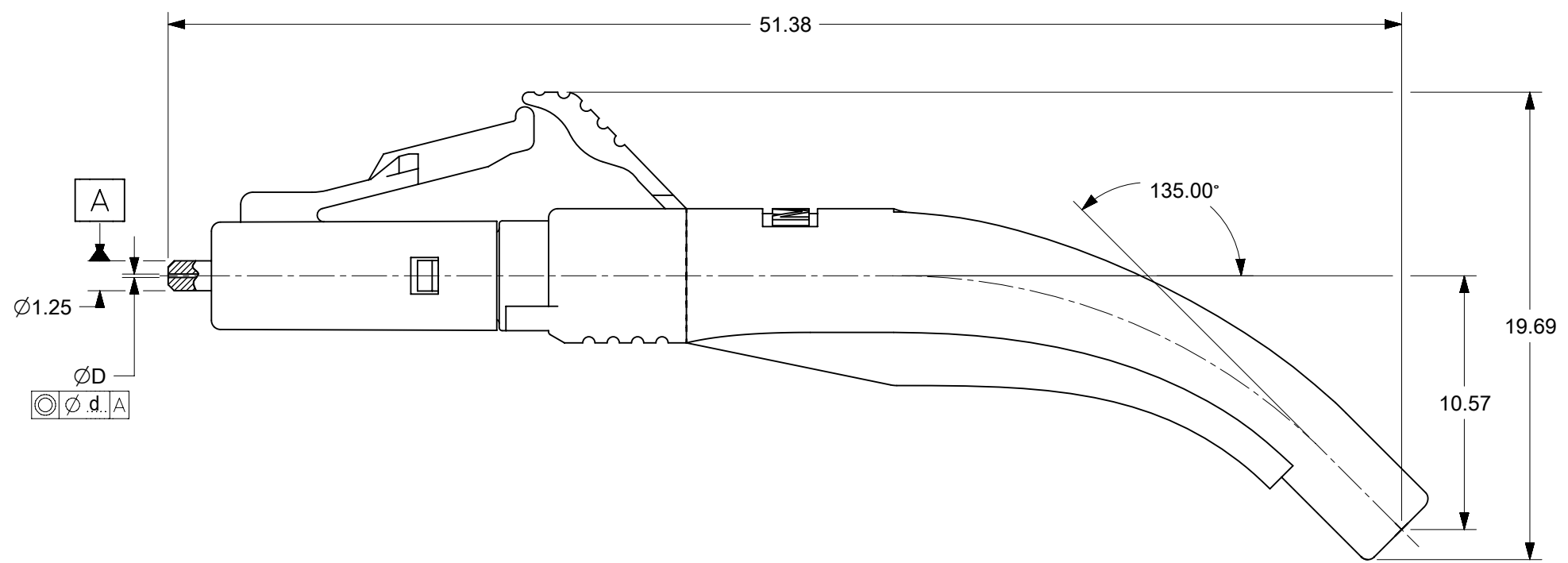
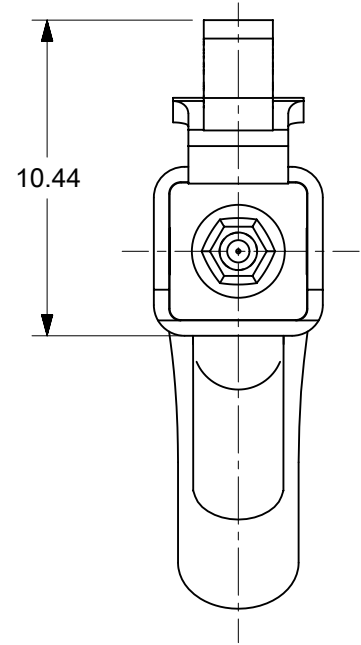


CONNECTOR P/N	ØD(um)	Ød(um)	CONN. BODY COLOR	BOOT COLOR	CABLE Ø(mm)	CABLE TYPE
106024-7110	125+0.5/-0	0.5	BLUE	WHITE	1.6	SINGLE MODE
106024-7115					1.6 ZIPCORD&2.0	
106024-7120	125.25+0.5/-0				1.6	
106024-7125					1.6 ZIPCORD&2.0	
106024-7130	125.5+0.5/-0				1.6	
106024-7135					1.6 ZIPCORD&2.0	
106024-7140	126+1/-0	1			1.6	
106024-7145					1.6 ZIPCORD&2.0	
106024-7150	125+0.5/-0				1.6	
106024-7155					1.6 ZIPCORD&2.0	
106024-7160	125.25+0.5/-0				1.6	
106024-7165					1.6 ZIPCORD&2.0	
106024-7170	125.5+0.5/-0	1.6				
106024-7175		1.6 ZIPCORD&2.0				
106024-7180	127+3/-0	3	BEIGE	1.6	MULTIMODE	
106024-7185				1.6 ZIPCORD&2.0		



ISOMETRIC VIEW
SCALE 2:1



NOTES:
1. ALL DIMENSIONS ARE FOR REFERENCE ONLY.
2. DUST CAP IS NOT SHOWN.

FUNCTIONAL SYMBOLS	THIS DRAWING CONTAINS INFORMATION THAT IS PROPRIETARY TO MOLEX ELECTRONIC TECHNOLOGIES, LLC AND SHOULD NOT BE USED WITHOUT WRITTEN PERMISSION		CURRENT REV DESC:		molex					
	<table border="1"> <tr> <th>DIMENSION UNITS</th> <th>SCALE</th> </tr> <tr> <td>mm</td> <td>5:1</td> </tr> </table>	DIMENSION UNITS	SCALE	mm		5:1	GENERAL TOLERANCES (UNLESS SPECIFIED)		EC NO: 660201 DRWN: JHUANG18 CHK'D: IGUMIN APPR: IGUMIN INITIAL REVISION: DRWN: PGIBLIN APPR: IGUMIN	LC CONNECTOR 45 DEGREE BOOT
	DIMENSION UNITS	SCALE								
	mm	5:1								
ANGULAR TOL ± 0.5°		PRODUCT CUSTOMER DRAWING								
4 PLACES ±		DOCUMENT NUMBER								
3 PLACES ±		DOC TYPE DOC PART REVISION								
DIVISIONAL SYMBOLS	2 PLACES ±		2021/04/06		SD-106024-71XX PSD 001 B2					
	1 PLACE ±		2021/04/12							
	0 PLACES ±		2021/04/12							
	DRAFT WHERE APPLICABLE MUST REMAIN WITHIN DIMENSIONS		2006/02/07							
THIRD ANGLE PROJECTION		DRAWING	SERIES	MATERIAL NUMBER	CUSTOMER	SHEET NUMBER				
		B-SIZE	106024	SEE TABLE	GENERAL MARKET	1 OF 1				