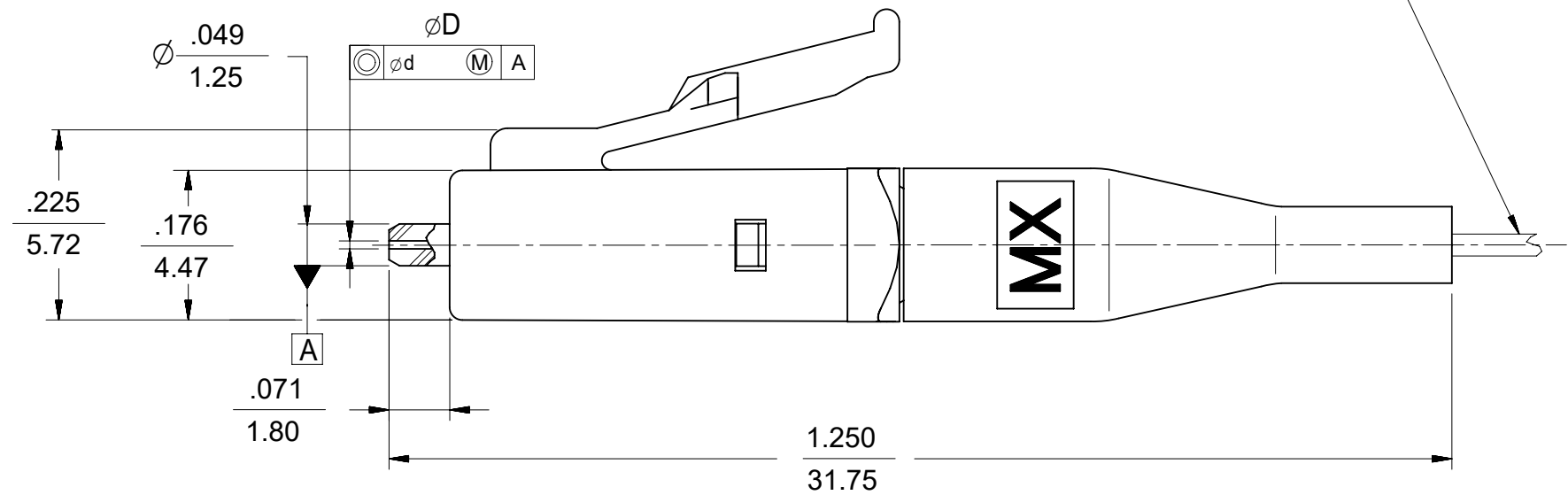
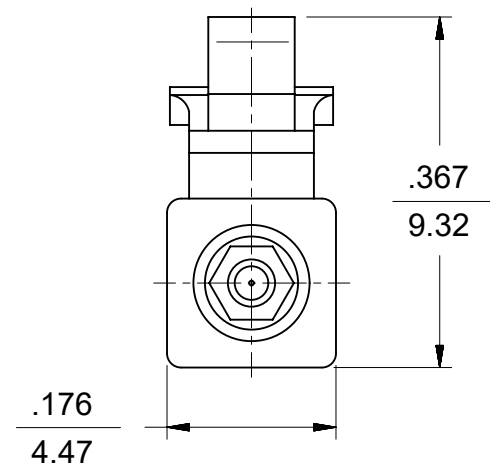


CONNECTOR P/N	øD (µm)	ød (µm)	HOUSING COLOR	BOOT COLOR	CABLE TYPE
106024-2500	125.50 ^{+0.50} ₀	1.0	BLUE	WHITE	SINGLE MODE
106024-3550*	127.00 ^{+3.00} ₀	3.0	BEIGE		MULTIMODE
106024-3500					
106024-4500	125.00 ^{+0.50} ₀	1.0		WHITE	
106024-5500	126.00 ^{+1.00} ₀				
106024-5540*					
106024-6500	125.25 ^{+0.50} ₀	0.5	BLUE	WHITE	SINGLE MODE
106090-2700	125.50 ^{+0.50} ₀				
106090-4500	125.00 ^{+0.50} ₀				
106090-6500	125.25 ^{+0.50} ₀				
106090-4510	125.2-125.5				
106090-4520	125.51-125.9				
106099-0500	81.0±0.5	1.4			
106024-5530	126.00 ^{+1.00} ₀	1.0	BEIGE	WHITE	



BUFFERED FIBER

NOTE:

1. ALL DIMENSIONS ARE GIVEN IN INCHES/MM, EXCEPT OTHERWISE SPECIFIED.

*2. P/N 106024-3310 AND 106024-5540 ARE BULK PACKED.

THIS DRAWING CONTAINS INFORMATION THAT IS PROPRIETARY TO MOLEX ELECTRONIC TECHNOLOGIES, LLC AND SHOULD NOT BE USED WITHOUT WRITTEN PERMISSION									
DIMENSION UNITS IN/MM		SCALE 5:1		CURRENT REV DESC: OBSOLETE PART NUMBER AS PER PCN#508521				molex	
GENERAL TOLERANCES (UNLESS SPECIFIED)				EC NO: 667392 DRWN: ABHISP1 CHK'D: GGA APPR: GGA					
4 PLACES ±		±		2021/04/16				LC CONNECTOR (BARE FIBER)	
3 PLACES ±		0.38 ±		2021/07/05				PRODUCT CUSTOMER DRAWING	
2 PLACES ±		±		2021/07/05				DOCUMENT NUMBER	
1 PLACE ±		±		INITIAL REVISION:				SD-1060KK-KKK0	
0 PLACES ±		±		DRWN: PGIBLIN APPR:				DOC TYPE DOC PART REVISION	
ANGULAR TOL ±		1.0 °		2005/09/02				PSD 001 C	
DRAFT WHERE APPLICABLE MUST REMAIN WITHIN DIMENSIONS		THIRD ANGLE PROJECTION		DRAWING		SERIES		MATERIAL NUMBER	
		B-SIZE		106024		SEE TABLE		CUSTOMER	
						GENERAL MARKET		SHEET NUMBER	
								1 OF 1	