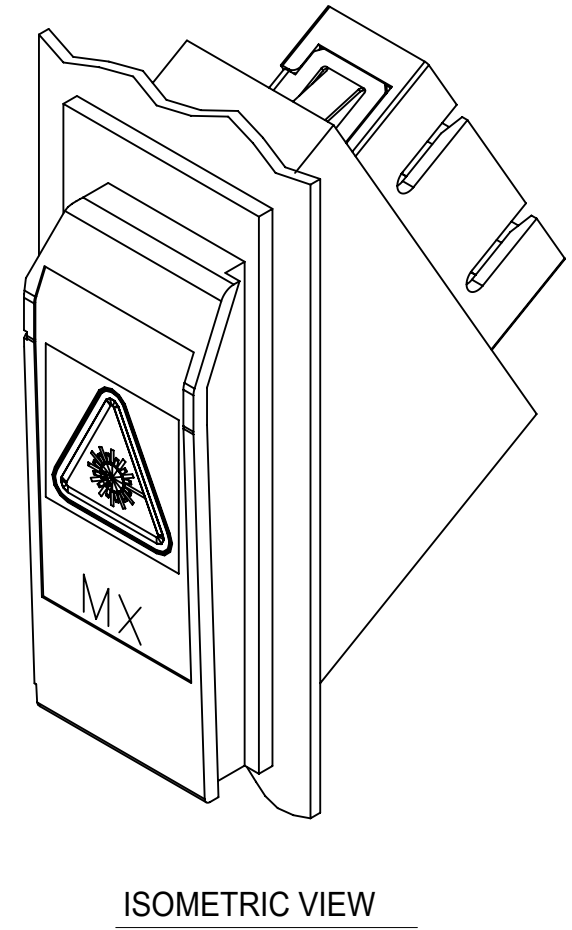
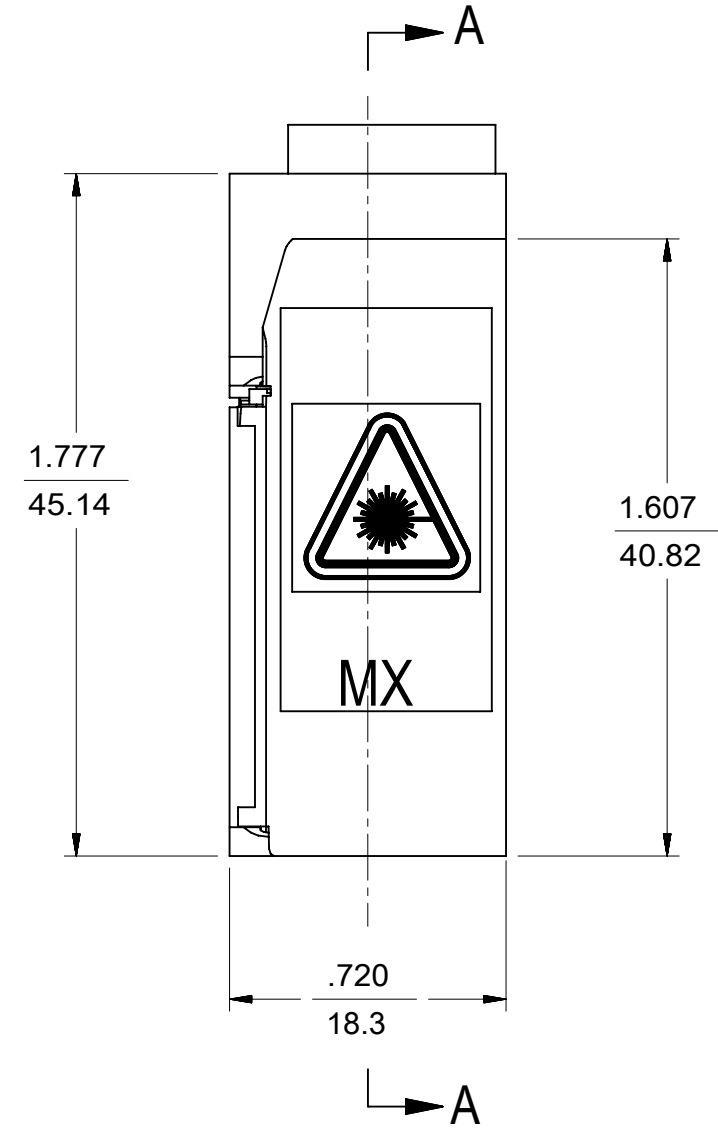
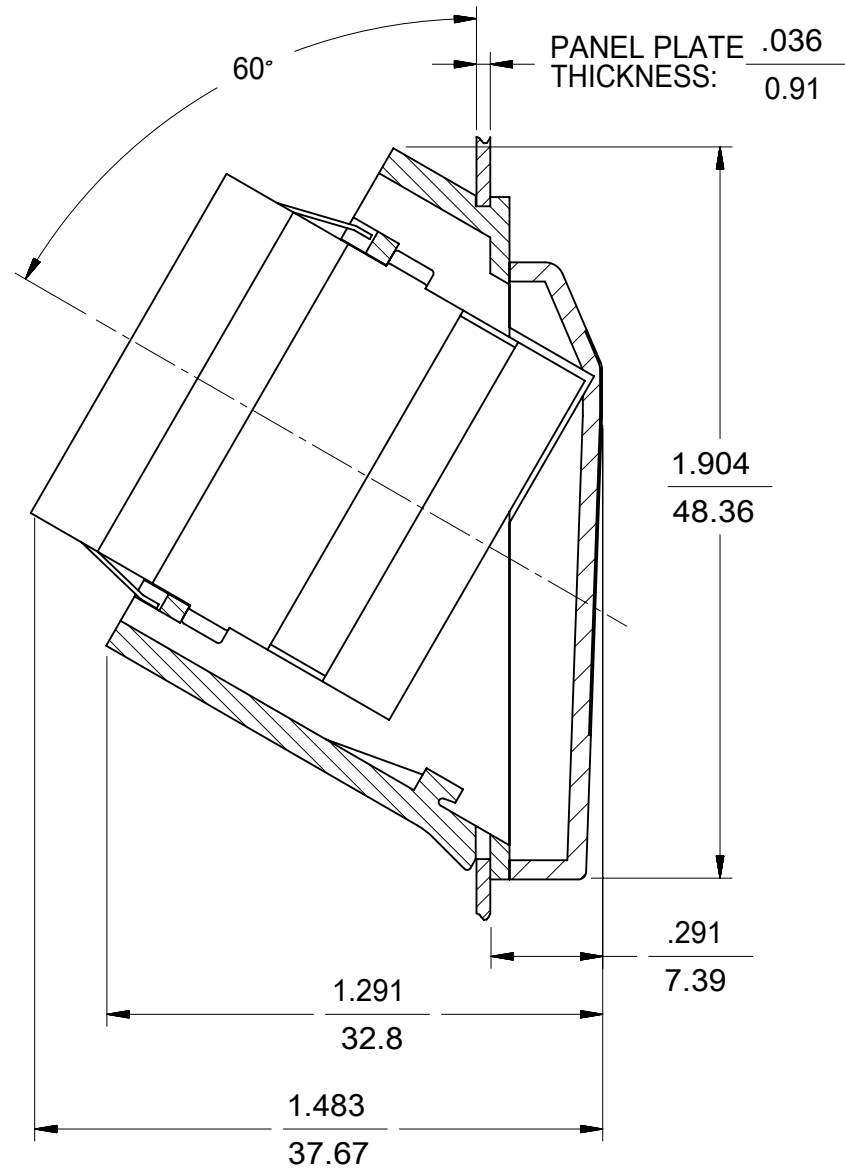
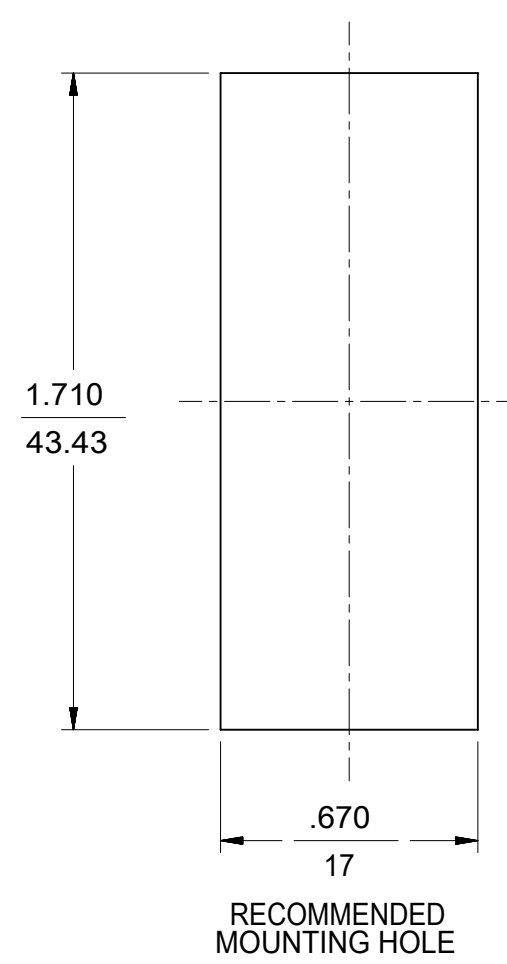
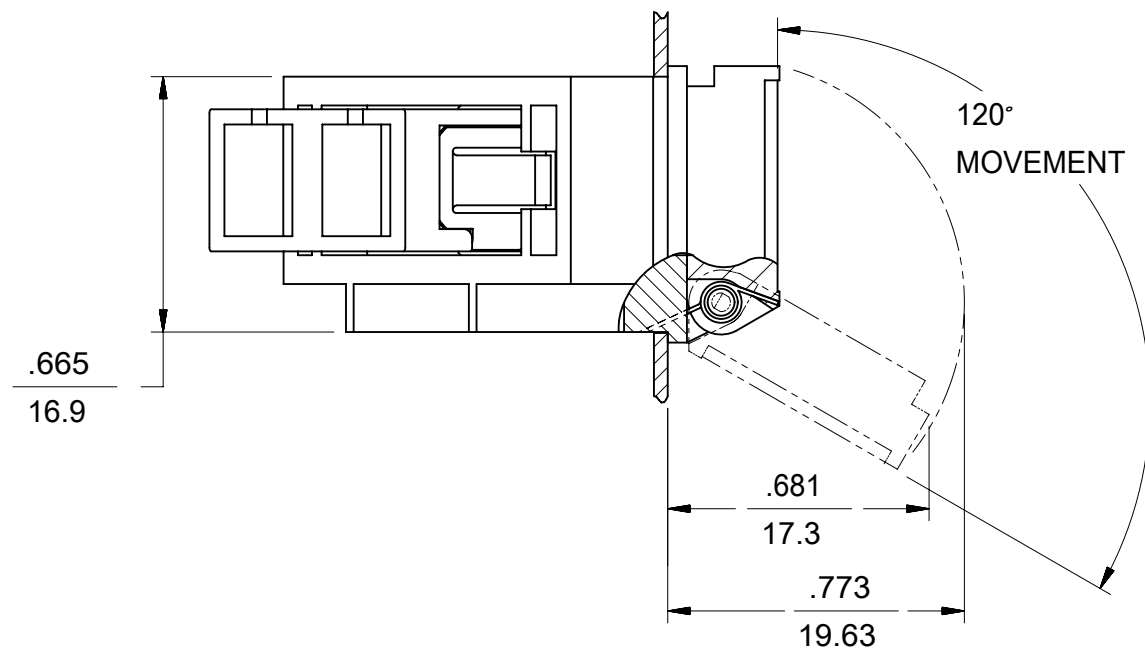


BEZEL P/N	SLEEVE MATERIAL	ADAPTER COLOR
106004-3180	PHOSPHOR BRONZE	BLACK
106004-3181	ZIRCONIA	



NOTE:
LABEL TO BE INSTALLED BY CUSTOMER.

THIS DRAWING CONTAINS INFORMATION THAT IS PROPRIETARY TO MOLEX ELECTRONIC TECHNOLOGIES, LLC AND SHOULD NOT BE USED WITHOUT WRITTEN PERMISSION									
DIMENSION UNITS		SCALE		CURRENT REV DESC:				molex	
IN/MM		1:1							
GENERAL TOLERANCES (UNLESS SPECIFIED)				EC NO: 620216		2018/04/19		DUPLEX BEZEL ADAPTER KIT (SC-SC)	
4 PLACES		±		DRWN: AKUMAR19		2019/07/09			
3 PLACES		±		CHK'D: GGA		2019/07/09		PRODUCT CUSTOMER DRAWING	
2 PLACES		±		APPR: GGA		2019/07/09			
1 PLACE		±		INITIAL REVISION:				DOCUMENT NUMBER	
0 PLACES		±		DRWN: RPACIFICI					
ANGULAR TOL		± 0.5 °		APPR:				SD-106004-318X	
DRAFT WHERE APPLICABLE MUST REMAIN WITHIN DIMENSIONS				THIRD ANGLE PROJECTION		DRAWING		SERIES	
				C-SIZE		106004		MATERIAL NUMBER	
								CUSTOMER	
								GENERAL MARKET	
								SHEET NUMBER	
								1 OF 1	

DOCUMENT STATUS	P1	RELEASE DATE	2019/07/09	04:12:09
-----------------	----	--------------	------------	----------