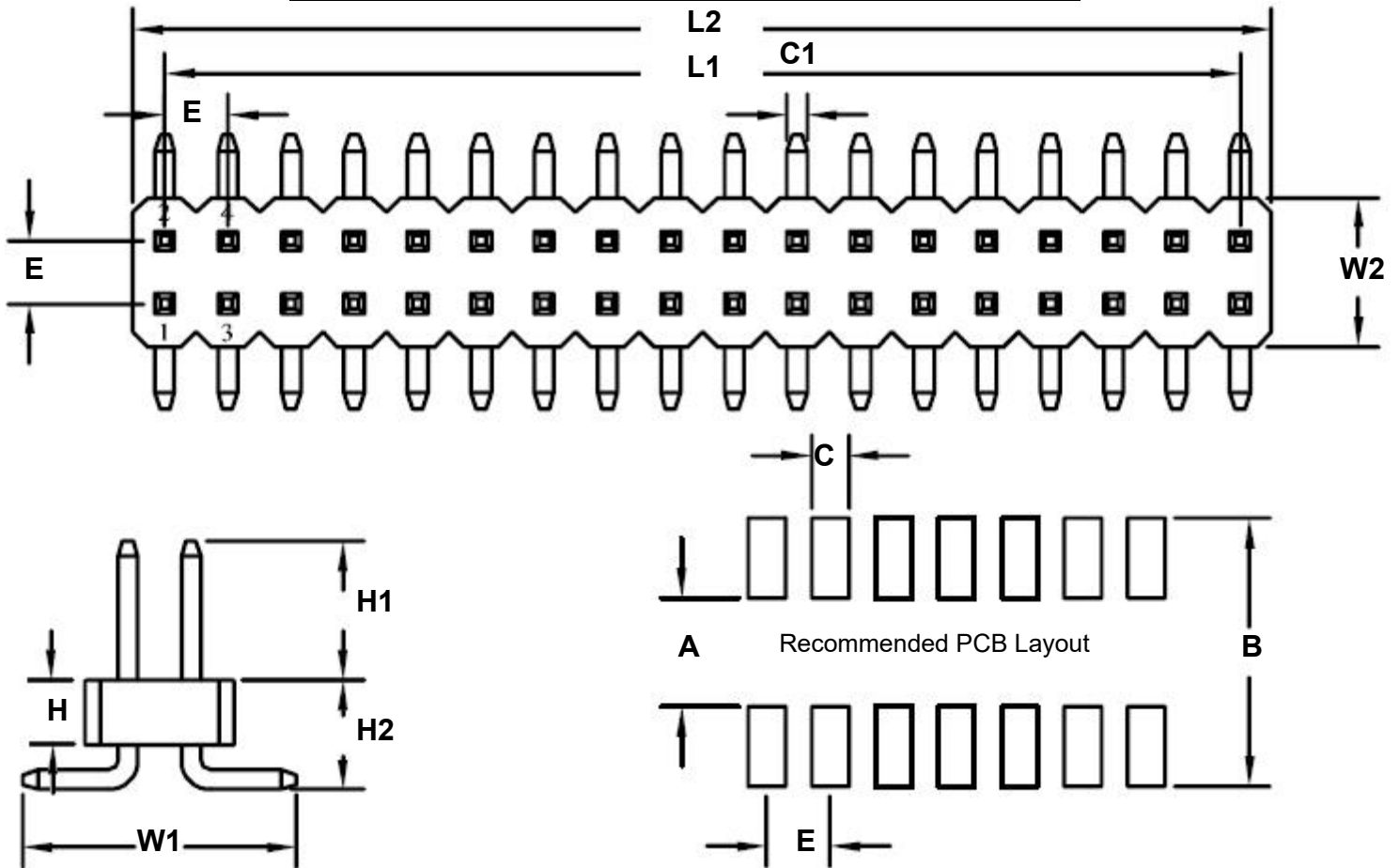


1.27 mm 80 pin Vertical Male Header Surface Mount Gold

REF.	DIMENSIONS					
	mm			inches		
	MIN.	TYP.	MAX.	MIN.	TYP.	MAX.
A		1.50				
B		6.20				
C		0.74				
C1		0.40				
E		1.27			0.050	
H		2.00				
H1		3.05				
H2		3.00				
L1		49.53			1.950	
L2		50.80			2.000	
W1		5.20				
W2		3.00				



SPECIFICATIONS

Plastic body construction: PA6T plastic (320°C melting point)

Pin construction: Gold plated (brass pin, with 1um gold over 50um nickel)

Operating temperature range: -40°C to +130°C

Reflow maximum temperature: +260°C