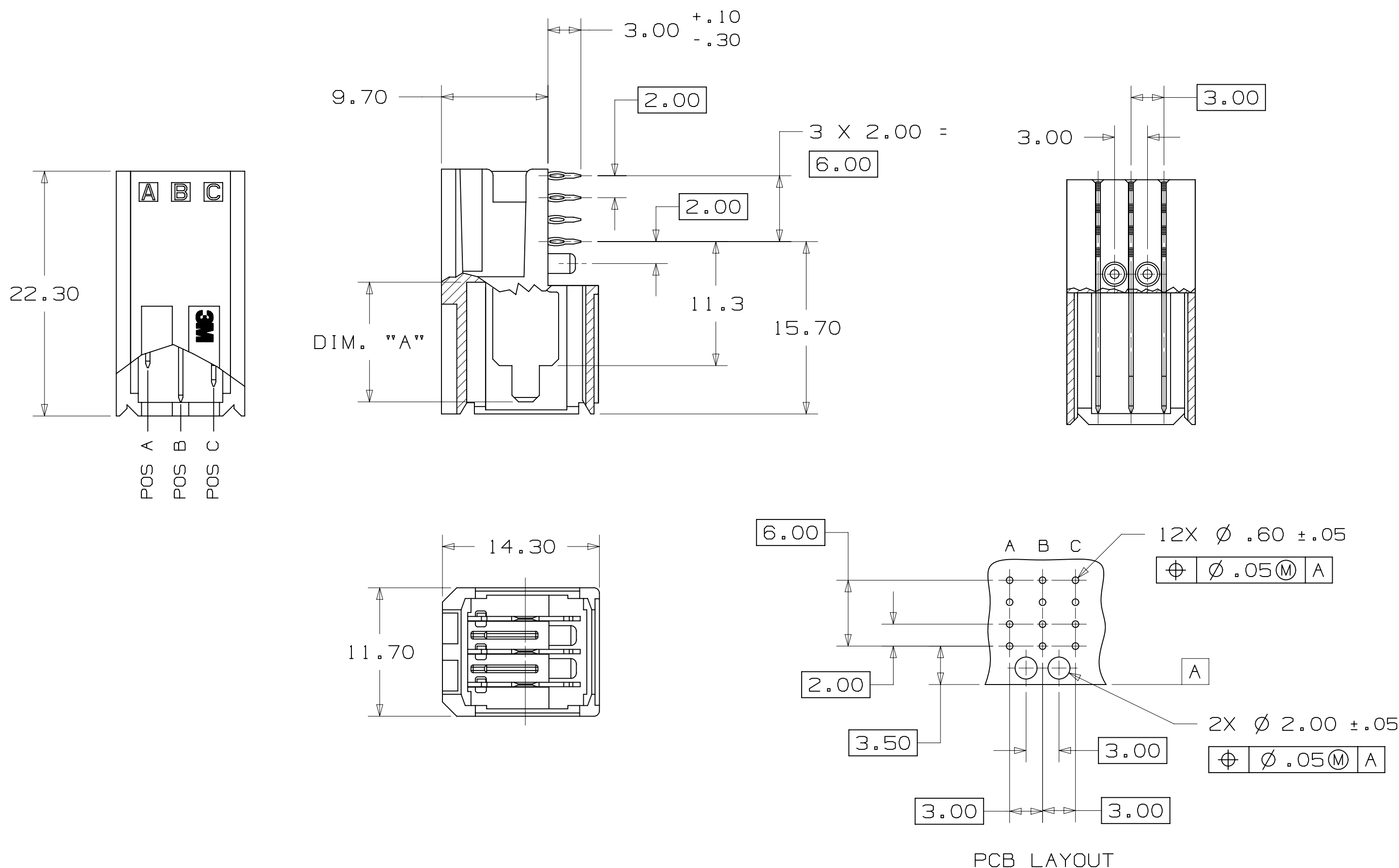


3M™ POWER RIGHT ANGLE HEADER MODULE FOR HARD METRIC APPLICATIONS



PCB LAYOUT

BLADE POS. HEIGHT

PART DESCRIPTION	DIM. "A"		
	POS A	POS B	POS C
HM-PWR-HDR-01-LR	10.9	10.9	10.9
HM-PWR-HDR-02-LR	9.3	10.9	9.3
HM-PWR-HDR-03-LR	9.3	10.9	7.6
HM-PWR-HDR-04-LR	9.3	7.6	9.3
HM-PWR-HDR-05-LR	10.9	9.3	7.6
HM-PWR-HDR-06-LR	9.3	9.3	7.6
HM-PWR-HDR-07-LR	7.6	7.6	10.9
HM-PWR-HDR-08-LR	7.6	9.3	10.9
HM-PWR-HDR-09-LR	10.9	9.3	10.9
HM-PWR-HDR-10-LR	7.6	7.6	7.6
HM-PWR-HDR-11-LR	10.9	9.3	9.3
HM-PWR-HDR-12-LR	9.3	7.6	10.9
HM-PWR-HDR-13-LR	10.9	9.3	9.3

3M™ ELECTRONIC SOLUTIONS DIVISION
 INTERCONNECT SOLUTIONS
<http://www.3mconnectors.com>

3M IS A TRADEMARK OF 3M COMPANY.
 FOR TECHNICAL, SALES OR ORDERING
 INFORMATION CALL 800-225-5373

NOTES

- MATERIAL:
 INSULATOR: GLASS FILLED THERMOPLASTIC (PBT) UL94V-0
 CONTACTS: COPPER ALLOY.
- PLATING -LR:
 CONTACT AREA: .08µm MIN Au OVER .69µm MIN PdNi
 TAIL AREA: 2.54µm MAX MATTE Sn
 UNDERCOAT: 1.27µm MIN Ni.
- REGULATORY INFORMATION:
 ROHS COMPLIANT. SEE THE REGULATORY INFORMATION APPENDIX (RIA) IN THE "ROHS COMPLIANCE" SECTION OF WWW.3MCONNECTORS.COM FOR COMPLIANCE INFORMATION (RIA E1 & C1 APPLY)
- ELECTRICAL PERFORMANCE:
 TEMPERATURE RANGE: -55°C TO +125°C
 VOLTAGE: 1000 VAC rms
 CURRENT RATING: ALL LINES DRIVERS
 9.0 AMPS @ 20°C
 7.0 AMPS @ 70°C
 4.5 AMPS @ 100°C
- IN THE EVENT OF CONFLICT BETWEEN THIS DATA AND THAT CONTAINED IN THE PRODUCT SPECIFICATION, THE PRODUCT SPECIFICATION TAKES PRECEDENT.
- PART NUMBER: SEE TABLE
- FOR MATING PRODUCT USE:
 HM-PWR-SCK-01-XX POWER SOCKET CONNECTOR.
- PCB THICKNESS: 1.40mm MINIMUM.

D	40633	MAY 11, 2012	JNC	TS
		REVISE NOTE 4 AND REDRAWN		
C	36370	SEP 16, 2011	MWL	TS
		REF ECO FOR REV CHANGES		
REV	ECO	ISSUE DATE AND DESCRIPTION	DRFT	CHKD
ML		DATE JAN 17, 2011	MFG	DATE
CHKD		DATE	APPVL	DATE JAN 17, 2011
DIVISION Interconnect Solutions		DIVISION CODE ISD		
DO NOT SCALE DRAWING		TOLERANCES EXCEPT AS NOTED		
THIRD ANGLE PROJECTION		INCHES .0 ± .00 ± .000 ± .0000 ±		
INTERPRET PER ASME Y14.5 - 1994		MILLIMETERS 0 ± .0 ±.30 .00 ±.20 .000 ±.10		
MAX SURFACE ROUGHNESS ALL SURFACES MARKED ONLY		ANGLES		
TITLE HM-PWR-HDR-XX-XX, POWER RIGHT ANGLE HEADER MODULE		© 3M COPYRIGHT 2012 This document and the information it contains are 3M property and may not be reproduced or further distributed without 3M permission, or used or disclosed other than for 3M authorized purposes. All rights reserved.		
CAGE NUMBER	SIZE	DRAWING NO.	REV.	
	C	78-5100-2381-1	D	
MODEL	DET. <input type="checkbox"/> LISTS <input type="checkbox"/> YES <input checked="" type="checkbox"/> NO		SHT 1 OF 1	

78-5100-2381-1
DRAWING NUMBER

B

A