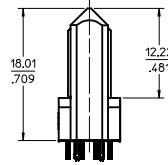
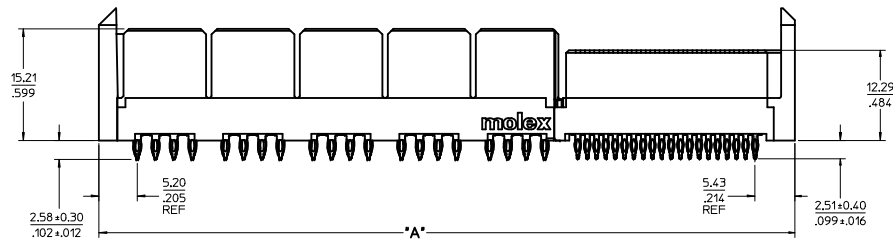
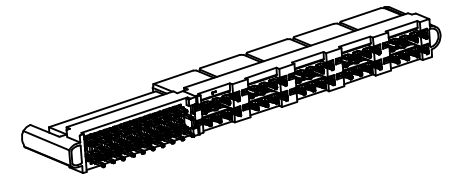


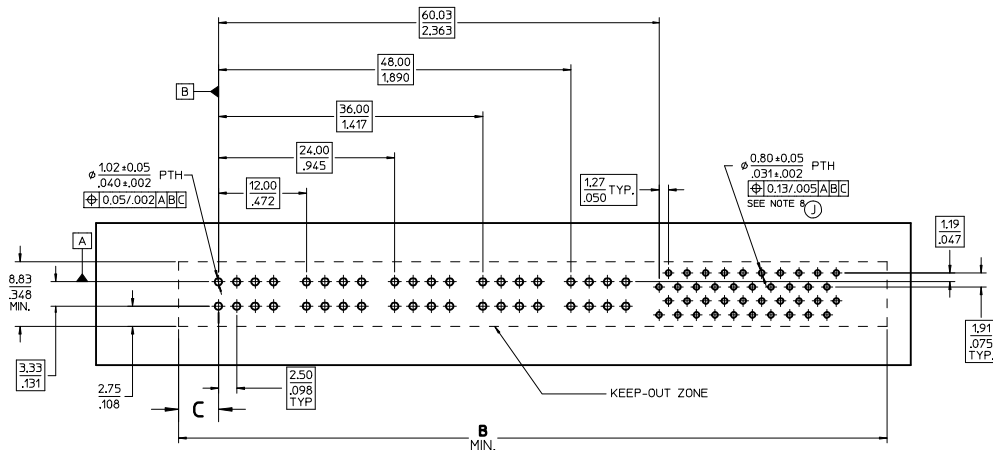
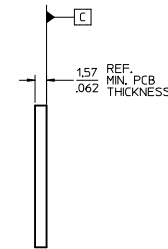
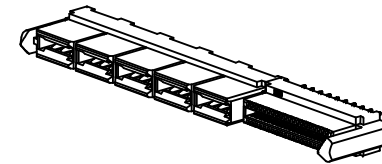
NO OF SIGNALS	MATERIAL NUMBER	COMPLIANT PIN PLATING	DIM A	DIM B	DIM C
12	46114-1012	TIN	77.01/3.032	77.51/3.052	5.45/215
16	46114-1016	TIN	79.55/3.132	80.05/3.152	
20	46114-1020	TIN	82.09/3.232	82.59/3.252	
24	46114-1024	TIN	84.63/3.332	85.13/3.352	
28	46114-1028	TIN	87.17/3.432	87.67/3.452	
32	46114-1032	TIN	89.71/3.532	90.21/3.552	
36	46114-1036	TIN	92.25/3.632	92.75/3.652	
40	46114-1040	TIN	94.79/3.732	95.29/3.752	



- NOTES:
- MATERIAL: HOUSING: LCP, 94-V0, COLOR: BLACK. POWER CONTACTS: COPPER ALLOY. SIGNAL CONTACTS: MODIFIED TIN BRASS.
  - FINISH: SELECT GOLD - 0.75  $\mu$ M/30  $\mu$  INCHES. SELECTED TIN - 2.50  $\mu$ M/100  $\mu$  INCHES. BOTH OVER NICKEL - 1.25  $\mu$ M/50  $\mu$  INCHES.
  - POWER TERMINALS ARE LUBRICATED IN CONTACT AREA.
  - PARTS ARE ROHS COMPLIANT.
  - MATES TO MOLEX P/N 45985-SERIES OR EDGE CARD 1.57/0.62.
  - PRODUCT SPECIFICATION PS-46114-001.
  - PACKAGING: PER PK-46114-003.
  - REFER TO PS-46114-001 FOR DSP THRU-HOLE SPECIFICATIONS.



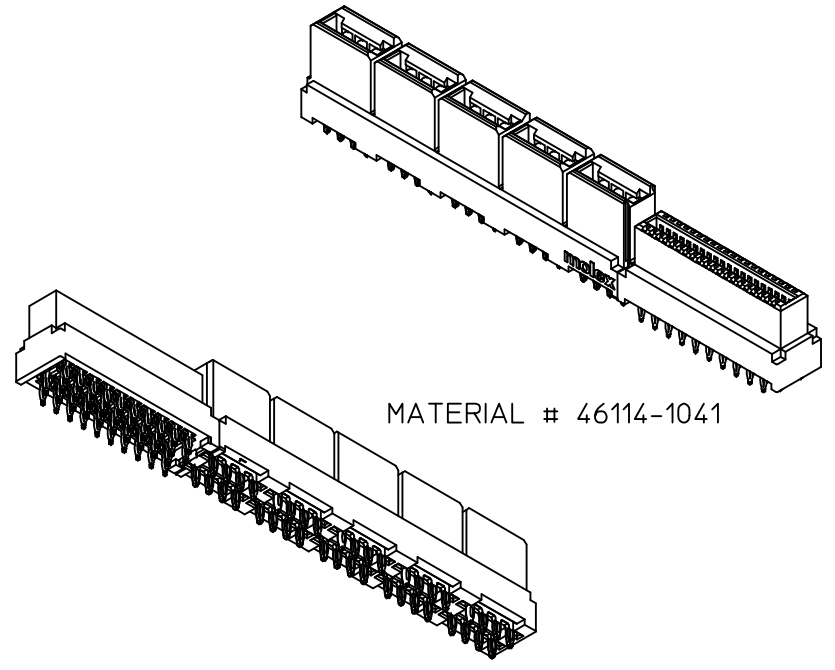
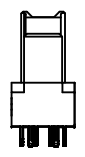
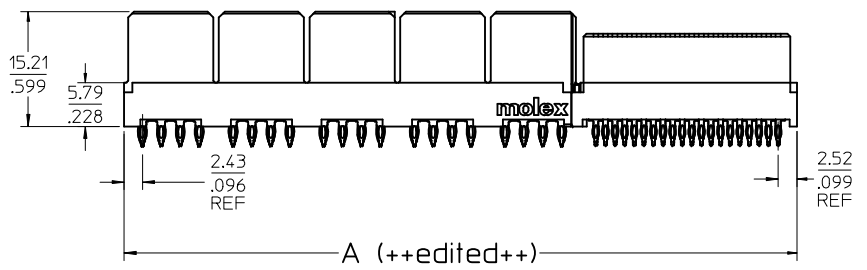
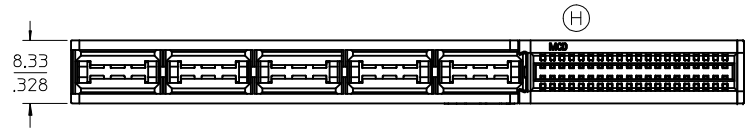
MATERIAL # 46114-1040 SHOWN  
SCALE 2:1



PCB COMPONENT SIDE

UPDATE NOTES	QUALITY SYMBOLS	GENERAL TOLERANCES (UNLESS SPECIFIED)		DIMENSION STYLE	SCALE	DESIGN UNITS	THIRD ANGLE PROJECTION
		mm	INCH	MM/IN	2:1	METRIC	☉
EC NO: S2016-1041		4 PLACES ±---	±---	DRAWN BY	DATE	TITLE	
DRWAL: ING		3 PLACES ±---	±.010	MKARADIMAS	2011/08/04	LPH VERTICAL RECEPTACLE	
CHKD: ZENG		2 PLACES ±0.25	±---	CHECKED BY	DATE		
APPR: KHLIN		1 PLACE ±---	±---	APATEL	2011/08/05		
		ANGULAR ±1/2°		APPROVED BY	DATE		
		DRAFT WHERE APPLICABLE MUST REMAIN WITHIN DIMENSIONS		MATERIAL NO.	DOCUMENT NO.		
				SEE CHART	SD-46114-100		

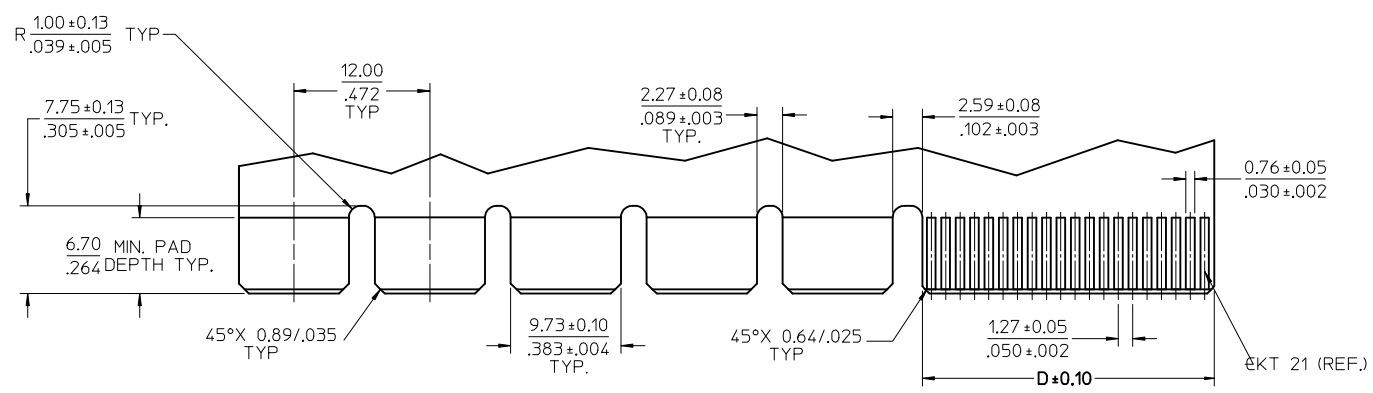
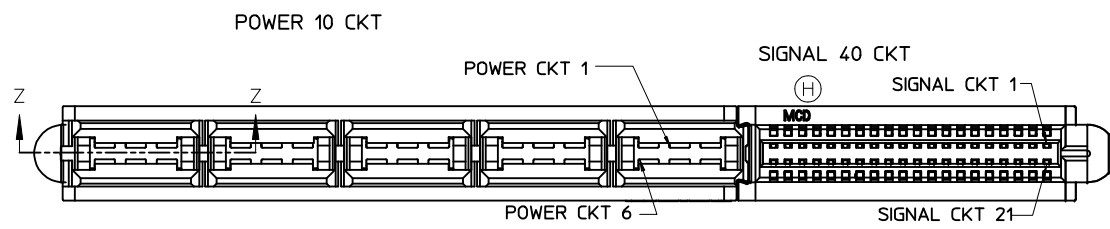
NO OF SIGNALS	MATERIAL NUMBER	COMPLIANT PIN PLATING	DIM A	DIM B	DIM C
12	46114-1013	TIN	71.34/2.809	71.84/2.828	2.69/106
16	46114-1017	TIN	73.88/2.909	74.38/2.928	
20	46114-1021	TIN	76.42/3.009	76.92/3.028	
24	46114-1025	TIN	78.96/3.109	79.46/3.128	
28	46114-1029	TIN	81.50/3.209	82.00/3.228	
32	46114-1033	TIN	84.04/3.309	84.54/3.328	
36	46114-1037	TIN	86.58/3.409	87.08/3.428	
40	46114-1041	TIN	89.12/3.509	89.62/3.528	



MATERIAL # 46114-1041

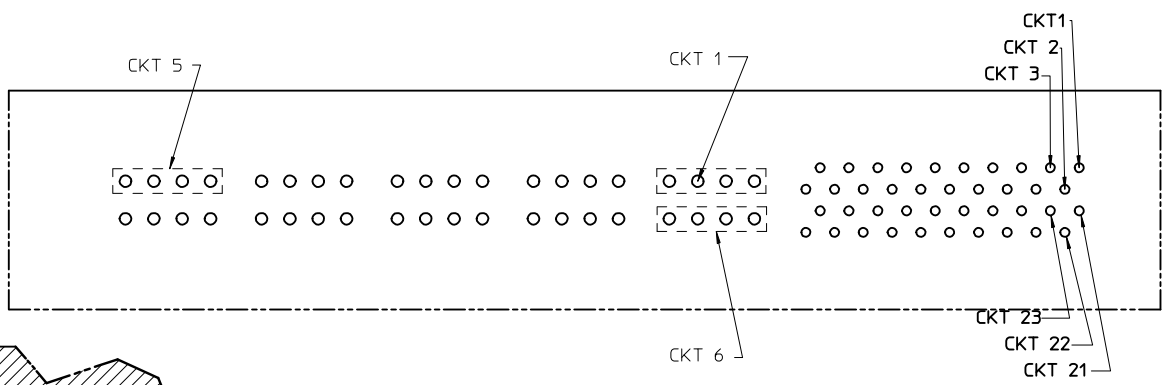
<b>UPDATE NOTES</b> EC NO: S2016-1041 2016/12/13 DRWNLIN06 2016/12/15 CHKD:JZENG 2016/12/19 APPR:KHLIM	QUALITY SYMBOLS	GENERAL TOLERANCES (UNLESS SPECIFIED)	DIMENSION STYLE MM/IN	SCALE 1:1	DESIGN UNITS METRIC	THIRD ANGLE PROJECTION																
	REV J	DESCRIPTION	<table border="1"> <tr> <th></th> <th>mm</th> <th>INCH</th> </tr> <tr> <td>4 PLACES</td> <td>± ---</td> <td>± ---</td> </tr> <tr> <td>3 PLACES</td> <td>± ---</td> <td>± .010</td> </tr> <tr> <td>2 PLACES</td> <td>± 0.25</td> <td>± ---</td> </tr> <tr> <td>1 PLACE</td> <td>± ---</td> <td>± ---</td> </tr> </table>		mm	INCH	4 PLACES	± ---	± ---	3 PLACES	± ---	± .010	2 PLACES	± 0.25	± ---	1 PLACE	± ---	± ---	DRAWN BY MKARADIMAS	DATE 2011/08/04	TITLE LPH VERTICAL RECEPTACLE	SHEET NO. 2 OF 3
		mm	INCH																			
	4 PLACES	± ---	± ---																			
3 PLACES	± ---	± .010																				
2 PLACES	± 0.25	± ---																				
1 PLACE	± ---	± ---																				
DRAFT WHERE APPLICABLE MUST REMAIN WITHIN DIMENSIONS		ANGULAR ±1/2°	MATERIAL NO. SEE CHART	DATE 2011/08/05	MOLEX INCORPORATED	DOCUMENT NO. SD-46114-100																
THIS DRAWING CONTAINS INFORMATION THAT IS PROPRIETARY TO MOLEX INCORPORATED AND SHOULD NOT BE USED WITHOUT WRITTEN PERMISSION																						

NO OF SIGNAL	DIM. D
12	8.00/.315
16	10.54/.415
20	13.08/.515
24	15.62/.615
28	18.16/.715
32	20.70/.817
36	23.24/.915
40	25.78/1.015

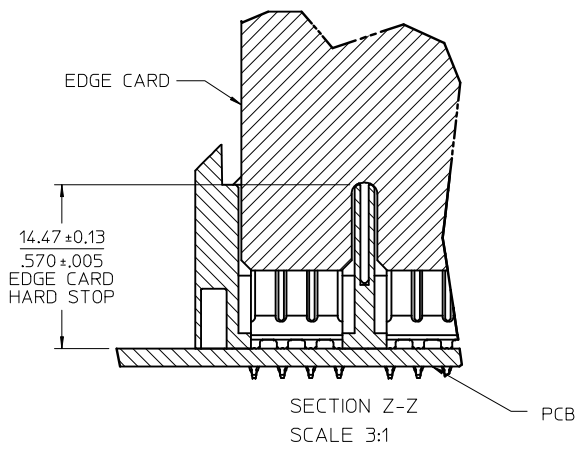


RECOMMENDED EDGE CARD LAYOUT

EDGE CARD THICKNESS:  
1.57/.062 ± 0.15/.006  
PLATING:  
GOLD 30 μ INCHES MIN.  
OVER 150 μ INCHES NICKEL.



PCB LAYOUT  
COMPONENT SIDE  
SEE SHT 1 FOR  
DIMENSIONS



<b>UPDATE NOTES</b> EC NO: S2016-1041 DRWN:ALIN06 2016/12/13 CHKD:JZENG 2016/12/15 APPR:KHLIM 2016/12/19	QUALITY SYMBOLS	GENERAL TOLERANCES (UNLESS SPECIFIED)	DIMENSION STYLE MM/IN	SCALE 3:1	DESIGN UNITS METRIC	THIRD ANGLE PROJECTION	
	4 PLACES ± --- ± --- 3 PLACES ± --- ± .010 2 PLACES ± 0.25 ± --- 1 PLACE ± --- ± ---	DRAWN BY MKARADIMAS	DATE 2011/08/04	TITLE LPH VERTICAL RECEPTACLE	MOLEX INCORPORATED		
	ANGULAR ±1/2°	CHECKED BY APATEL	DATE 2011/08/05	MATERIAL NO. SEE CHART	DOCUMENT NO. SD-46114-100	SHEET NO. 3 OF 3	
	DRAFT WHERE APPLICABLE MUST REMAIN WITHIN DIMENSIONS	THIS DRAWING CONTAINS INFORMATION THAT IS PROPRIETARY TO MOLEX INCORPORATED AND SHOULD NOT BE USED WITHOUT WRITTEN PERMISSION					