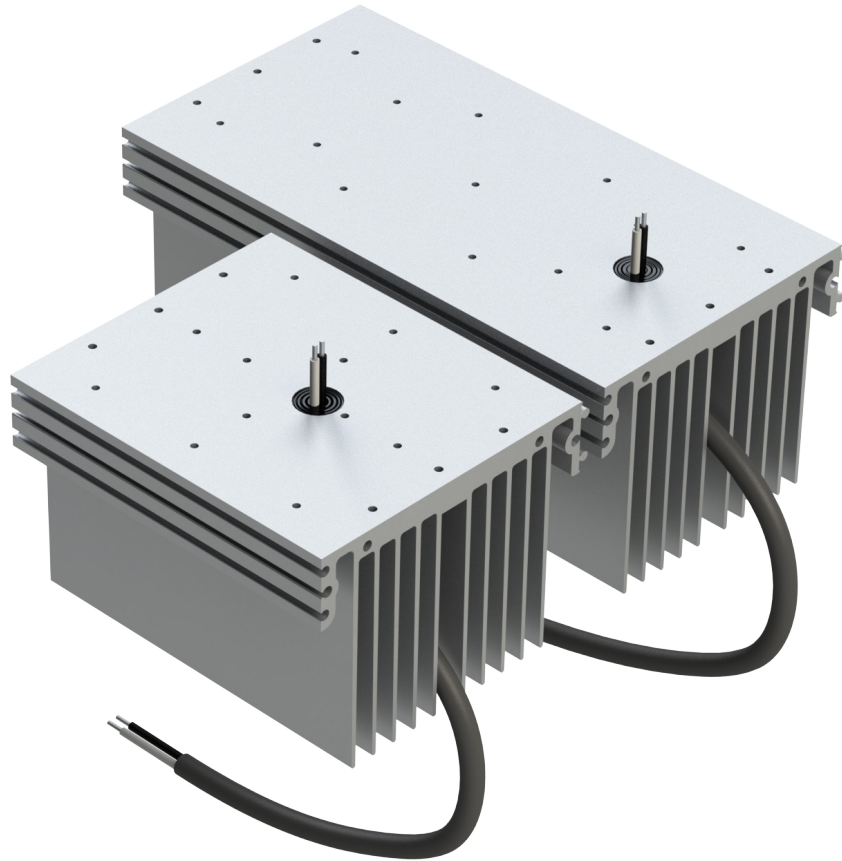


Cree XHP Series LED Module Heat Sinks

Illumination Accelerated



Designed for Cree XHP LED modules, the NewEnergy Heat Sinks are configurable to fit Linear, Rectangular, or Square footprints. Easy mounting to housing or bracket is done through our unique front profile design. Integrating Multiple Modules is effortless with our simple interlocking technology.

Superior Performance in Standard Module Heat Sinks

- Reliable Passive LED Cooling
- Capable of IP67 Dust and Water Rating
- Single Piece Extruded Aluminum Construction
- Integrated weatherproof Cable Pigtail

Cree XHP Series LED module Heat Sinks are available from authorized distributors, see New-EnergyLLC.com for our complete list of distributors. Custom Heat Sinks are also available, contact NewEnergy for further details.

RoHS

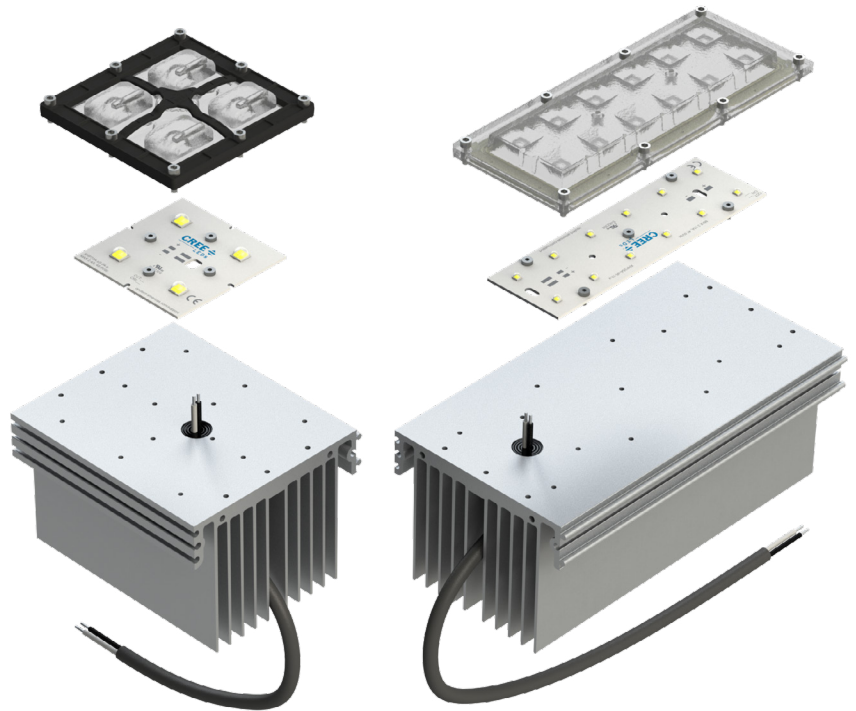
Heat Sink Features

Ordering Information

Model Number	Description	Recommended Module(s)
ONAH-0504-02	Heat Sink, 4.37"x3.25"x5.00", Cable	LSS1-04C22-x, LPS1-04C24-x, XHP50A-OS-04-x, XHP70A-OS-04-x
ONAH-0804-02	Heat Sink, 4.37"x3.25"x8.00", Cable	XHP35A-OR-12-x

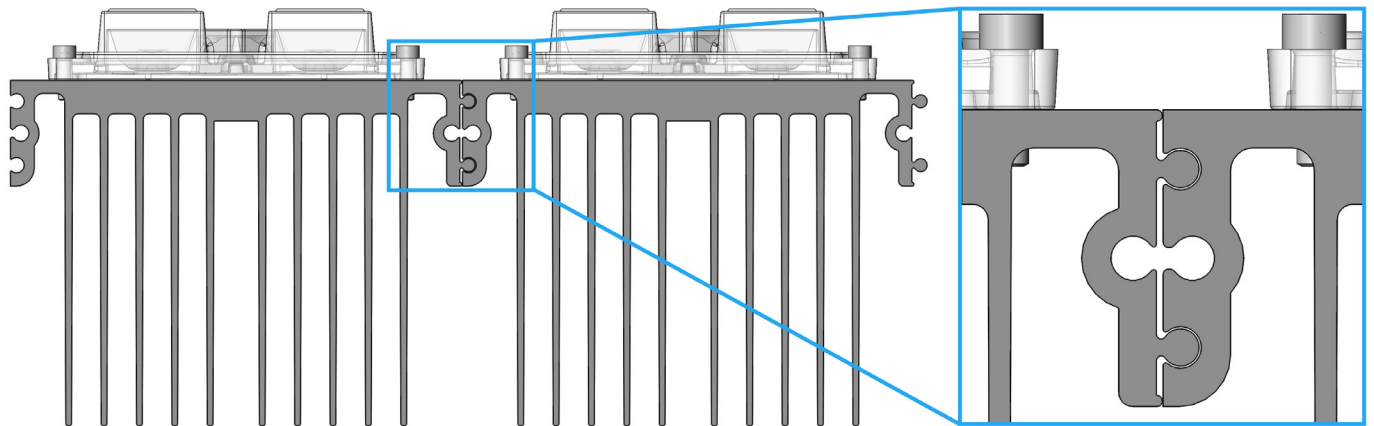
Integrate Further

- Add our Cree XHP modules, which include thermal interface material, to build a complete system
- Modules are preconfigured for off-the-shelf optics
- Weatherproof 18 AWG integrated into heat sink assembly



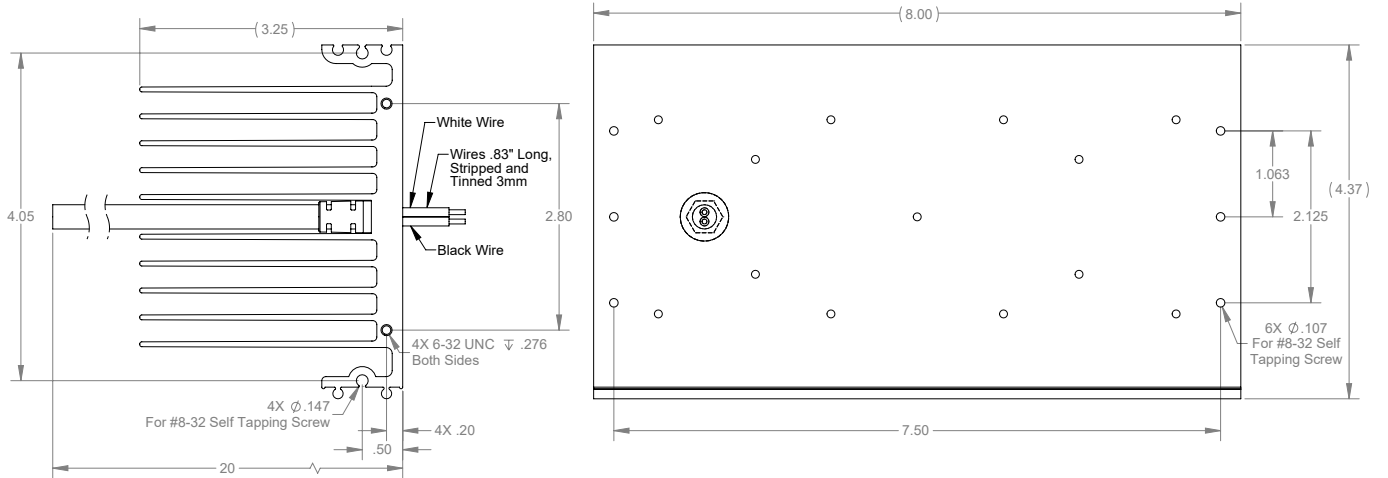
Illumination Accelerated

- Configurable to fit Linear, Rectangular, or Square footprints
- Designed for easy mounting to housing or bracket
- Easy to integrate multiple modules through our interlocking technology

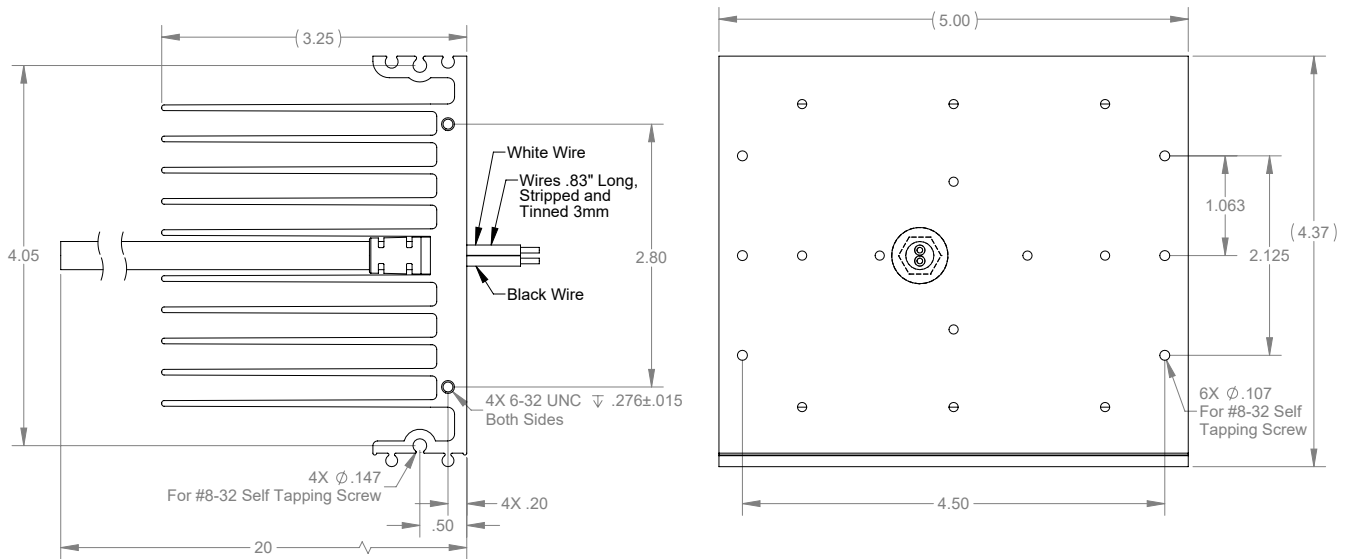


Heat Sink Specifications

XHP35 2x6 Module Heat Sink



XHP50 & XHP70 2x2 Module Heat Sink



Cable Specifications

Wire AWG	No. of Conductors	Conductor Material	Insulation Material	Jacket O.D.	Rated Temp	Rated Voltage	Standards
18AWG	2	Bare Copper Wire	PVC	7.3mm	105 deg C	300V	UL Listed, SJTW or approved alternate