

74LV4053-Q100

Triple single-pole double-throw analog switch

Rev. 2 — 23 September 2020

Product data sheet

1. General description

The 74LV4053-Q100 is a triple single-pole double-throw (SPDT) analog switch, suitable for use as an analog or digital multiplexer/demultiplexer. It is a low-voltage Si-gate CMOS device and is pin and function compatible with the 74HC4053-Q100 and 74HCT4053-Q100. Each switch has a digital select input (S_n), two independent inputs/outputs (nY_0 and nY_1) and a common input/output (nZ). All three switches share an enable input (\bar{E}). A HIGH on \bar{E} causes all switches into the high-impedance OFF-state, independent of S_n .

V_{CC} and GND are the supply voltage connections for the digital control inputs (S_n and \bar{E}). The V_{CC} to GND range is 1 V to 6 V. The analog inputs/outputs (nY_0 , nY_1 and nZ) can swing between V_{CC} as a positive limit and V_{EE} as a negative limit. $V_{CC} - V_{EE}$ may not exceed 6 V. For operation as a digital multiplexer/demultiplexer, V_{EE} is connected to GND (typically ground). V_{EE} and V_{SS} are the supply voltage connections for the switches.

This product has been qualified to the Automotive Electronics Council (AEC) standard Q100 (Grade 1) and is suitable for use in automotive applications.

2. Features and benefits

- Automotive product qualification in accordance with AEC-Q100 (Grade 1)
 - Specified from $-40\text{ }^{\circ}\text{C}$ to $+85\text{ }^{\circ}\text{C}$ and from $-40\text{ }^{\circ}\text{C}$ to $+125\text{ }^{\circ}\text{C}$
- Optimized for low-voltage applications: 1.0 V to 3.6 V
- Accepts TTL input levels between $V_{CC} = 2.7\text{ V}$ and $V_{CC} = 3.6\text{ V}$
- Low ON resistance:
 - 180 Ω (typical) at $V_{CC} - V_{EE} = 2.0\text{ V}$
 - 100 Ω (typical) at $V_{CC} - V_{EE} = 3.0\text{ V}$
 - 75 Ω (typical) at $V_{CC} - V_{EE} = 4.5\text{ V}$
- Logic level translation:
 - To enable 3 V logic to communicate with $\pm 3\text{ V}$ analog signals
- Typical 'break before make' built in
- ESD protection:
 - MIL-STD-883, method 3015 exceeds 2000 V
 - HBM JESD22-A114F exceeds 2000 V
 - MM JESD22-A115-A exceeds 200 V ($C = 200\text{ pF}$, $R = 0\text{ }\Omega$)
- Multiple package options
- DHVQFN package with Side-Wettable Flanks enabling Automatic Optical Inspection (AOI) of solder joints

3. Ordering information

Table 1. Ordering information

Type number	Package			Version
	Temperature range	Name	Description	
74LV4053D-Q100	-40 °C to +125 °C	SO16	plastic small outline package; 16 leads; body width 3.9 mm	SOT109-1
74LV4053PW-Q100	-40 °C to +125 °C	TSSOP16	plastic thin shrink small outline package; 16 leads; body width 4.4 mm	SOT403-1
74LV4053BQ-Q100	-40 °C to +125 °C	DHVQFN16	plastic dual in-line compatible thermal enhanced very thin quad flat package; no leads; 16 terminals; body 2.5 × 3.5 × 0.85 mm	SOT763-1

4. Functional diagram

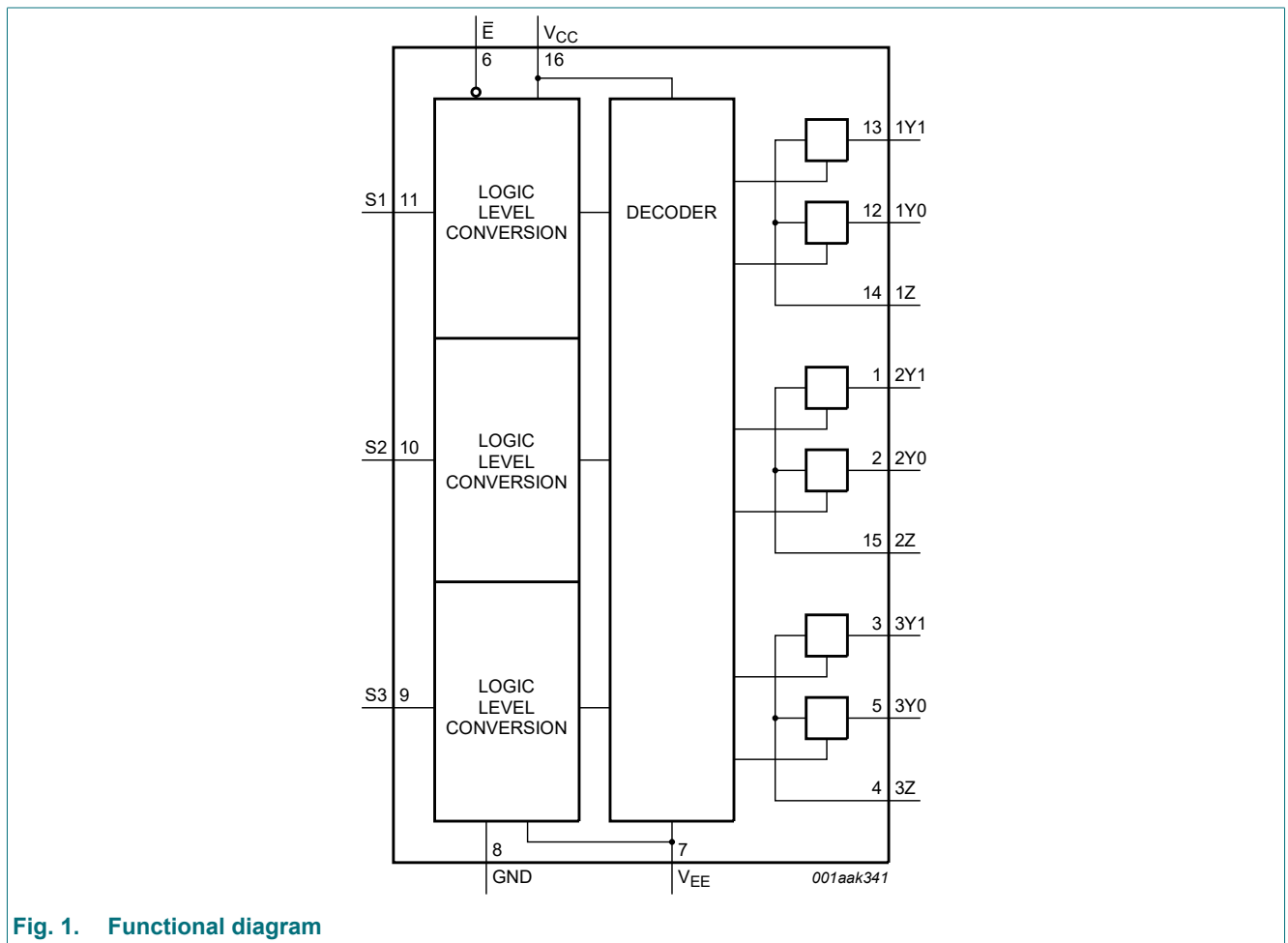


Fig. 1. Functional diagram



Fig. 2. Logic symbol

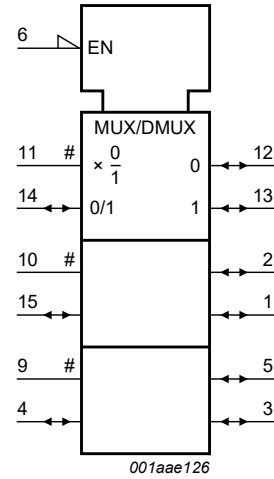


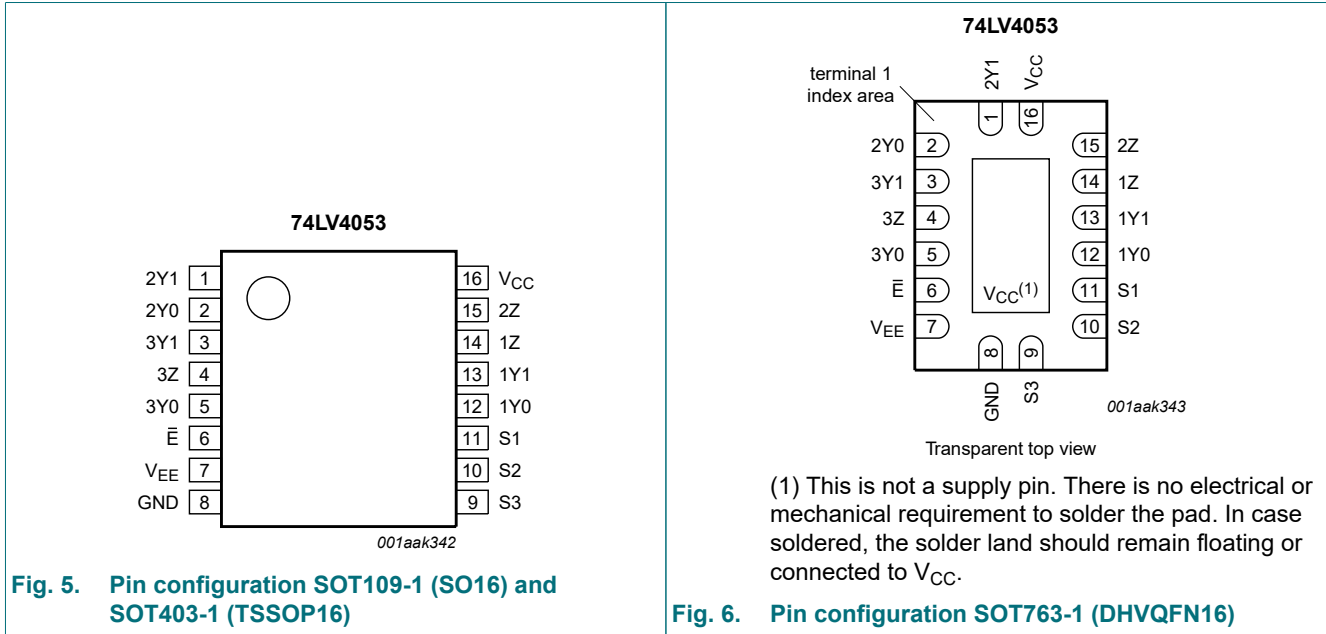
Fig. 3. IEC logic symbol



Fig. 4. Schematic diagram (one switch)

5. Pinning information

5.1. Pinning



5.2. Pin description

Table 2. Pin description

Symbol	Pin	Description
\bar{E}	6	enable input (active LOW)
V_{EE}	7	supply voltage
GND	8	ground supply voltage
S1, S2, S3	11, 10, 9	select input
1Y0, 2Y0, 3Y0	12, 2, 5	independent input or output
1Y1, 2Y1, 3Y1	13, 1, 3	independent input or output
1Z, 2Z, 3Z	14, 15, 4	common output or input
V_{CC}	16	supply voltage

6. Functional description

Table 3. Function table

H = HIGH voltage level; L = LOW voltage level; X = don't care.

Inputs		Channel on
\bar{E}	S_n	
L	L	nY0 to nZ
L	H	nY1 to nZ
H	X	switches off

7. Limiting values

Table 4. Limiting values

In accordance with the Absolute Maximum Rating System (IEC 60134). Voltages are referenced to $V_{SS} = 0\text{ V}$ (ground).

Symbol	Parameter	Conditions	Min	Max	Unit
V_{CC}	supply voltage	[1]	-0.5	+7.0	V
I_{IK}	input clamping current	$V_I < -0.5\text{ V}$ or $V_I > V_{CC} + 0.5\text{ V}$ [2]	-	± 20	mA
I_{SK}	switch clamping current	$V_{SW} < -0.5\text{ V}$ or $V_{SW} > V_{CC} + 0.5\text{ V}$ [2]	-	± 20	mA
I_{SW}	switch current	$V_{SW} > -0.5\text{ V}$ or $V_{SW} < V_{CC} + 0.5\text{ V}$; source or sink current [2]	-	± 25	mA
T_{stg}	storage temperature		-65	+150	°C
P_{tot}	total power dissipation	$T_{amb} = -40\text{ °C}$ to $+125\text{ °C}$ [3]	-	500	mW

- [1] To avoid drawing V_{CC} current out of terminal nZ, when switch current flows into terminals nYn, the voltage drop across the bidirectional switch must not exceed 0.4 V. If the switch current flows into terminal nZ, no V_{CC} current will flow out of terminals nYn, and in this case there is no limit for the voltage drop across the switch, but the voltages at nYn and nZ may not exceed V_{CC} or V_{EE} .
- [2] The minimum input voltage rating may be exceeded if the input current rating is observed.
- [3] For SOT109-1 (SO16) package: P_{tot} derates linearly with 12.4 mW/K above 110 °C.
 For SOT403-1 (TSSOP16) package: P_{tot} derates linearly with 8.5 mW/K above 91 °C.
 For SOT763-1 (DHVQFN16) package: P_{tot} derates linearly with 11.2 mW/K above 106 °C.

8. Recommended operating conditions

Table 5. Recommended operating conditions

Symbol	Parameter	Conditions	Min	Typ	Max	Unit
V_{CC}	supply voltage	see Fig. 7	1	3.3	6	V
V_I	input voltage		0	-	V_{CC}	V
V_{SW}	switch voltage		0	-	V_{CC}	V
T_{amb}	ambient temperature	in free air	-40	-	+125	°C
$\Delta t/\Delta V$	input transition rise and fall rate	$V_{CC} = 1.0\text{ V}$ to 2.0 V	-	-	500	ns/V
		$V_{CC} = 2.0\text{ V}$ to 2.7 V	-	-	200	ns/V
		$V_{CC} = 2.7\text{ V}$ to 3.6 V	-	-	100	ns/V

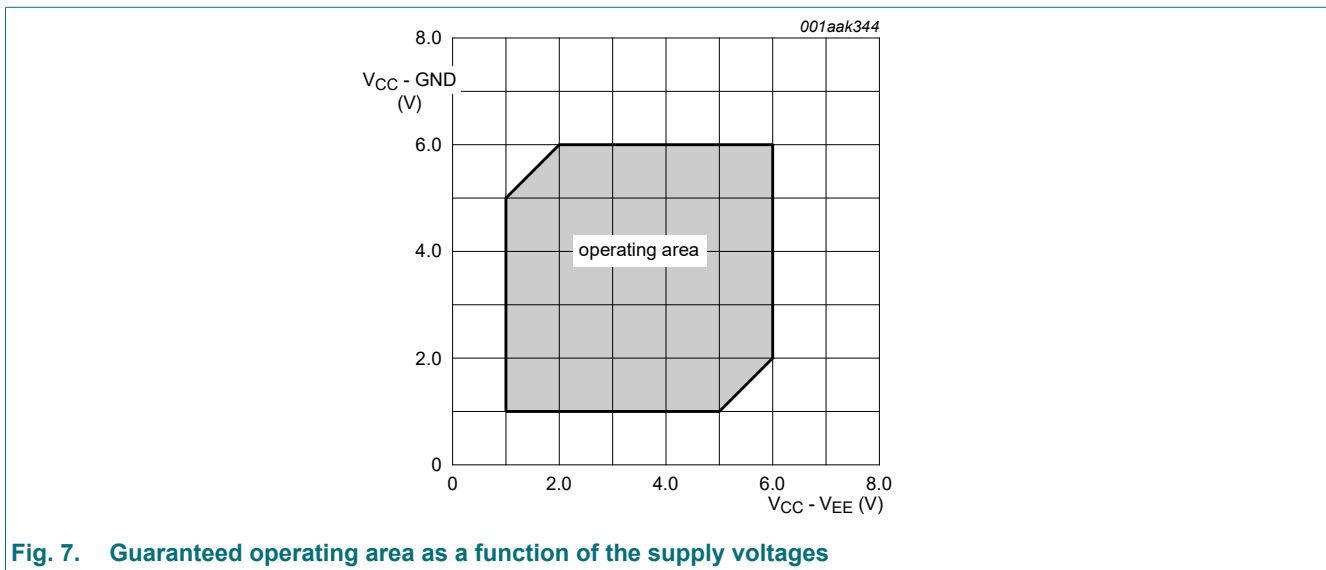


Fig. 7. Guaranteed operating area as a function of the supply voltages

9. Static characteristics

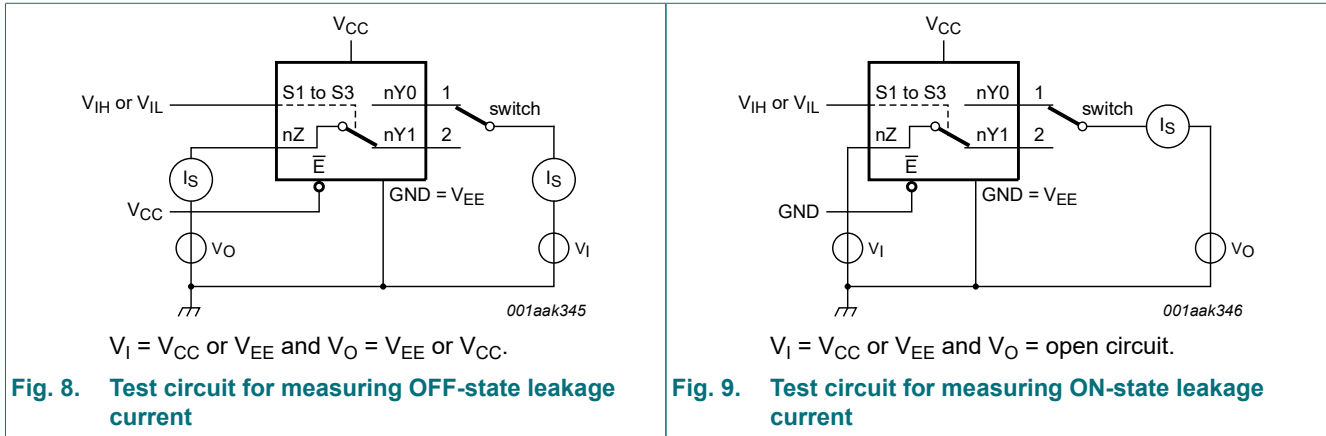
Table 6. Static characteristics

At recommended operating conditions. Voltages are referenced to GND (ground = 0 V).

Symbol	Parameter	Conditions	-40 °C to +85 °C			-40 °C to +125 °C		Unit
			Min	Typ[1]	Max	Min	Max	
V _{IH}	HIGH-level input voltage	V _{CC} = 1.2 V	0.9	-	-	0.9	-	V
		V _{CC} = 2.0 V	1.4	-	-	1.4	-	V
		V _{CC} = 2.7 V to 3.6 V	2.0	-	-	2.0	-	V
		V _{CC} = 4.5 V	3.15	-	-	3.15	-	V
		V _{CC} = 6.0 V	4.20	-	-	4.20	-	V
V _{IL}	LOW-level input voltage	V _{CC} = 1.2 V	-	-	0.3	-	0.3	V
		V _{CC} = 2.0 V	-	-	0.6	-	0.6	V
		V _{CC} = 2.7 V to 3.6 V	-	-	0.8	-	0.8	V
		V _{CC} = 4.5 V	-	-	1.35	-	1.35	V
		V _{CC} = 6.0 V	-	-	1.80	-	1.80	V
I _I	input leakage current	V _I = V _{CC} or GND						
		V _{CC} = 3.6 V	-	-	1.0	-	1.0	μA
		V _{CC} = 6.0 V	-	-	2.0	-	2.0	μA
I _{S(OFF)}	OFF-state leakage current	V _I = V _{IH} or V _{IL} ; see Fig. 8						
		V _{CC} = 3.6 V	-	-	1.0	-	1.0	μA
		V _{CC} = 6.0 V	-	-	2.0	-	2.0	μA
I _{S(ON)}	ON-state leakage current	V _I = V _{IH} or V _{IL} ; see Fig. 9						
		V _{CC} = 3.6 V	-	-	1.0	-	1.0	μA
		V _{CC} = 6.0 V	-	-	2.0	-	2.0	μA
I _{CC}	supply current	V _I = V _{CC} or GND; I _O = 0 A						
		V _{CC} = 3.6 V	-	-	20	-	40	μA
		V _{CC} = 6.0 V	-	-	40	-	80	μA
ΔI _{CC}	additional supply current	per input; V _I = V _{CC} - 0.6 V; V _{CC} = 2.7 V to 3.6 V	-	-	500	-	850	μA
C _I	input capacitance		-	3.5	-	-	-	pF
C _{sw}	switch capacitance	independent pins nYn	-	5	-	-	-	pF
		common pins nZ	-	8	-	-	-	pF

[1] Typical values are measured at T_{amb} = 25 °C.

9.1. Test circuits



9.2. ON resistance

Table 7. ON resistance

At recommended operating conditions; voltages are referenced to GND (ground = 0 V); for graphs see Fig. 10 and Fig. 11.

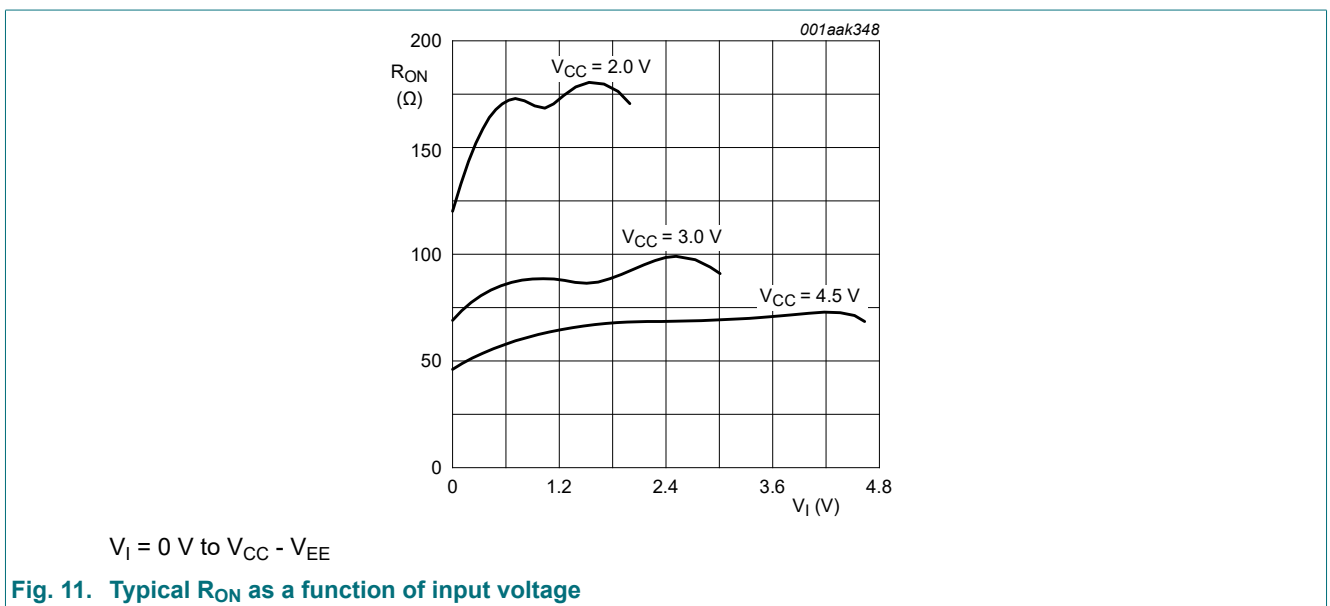
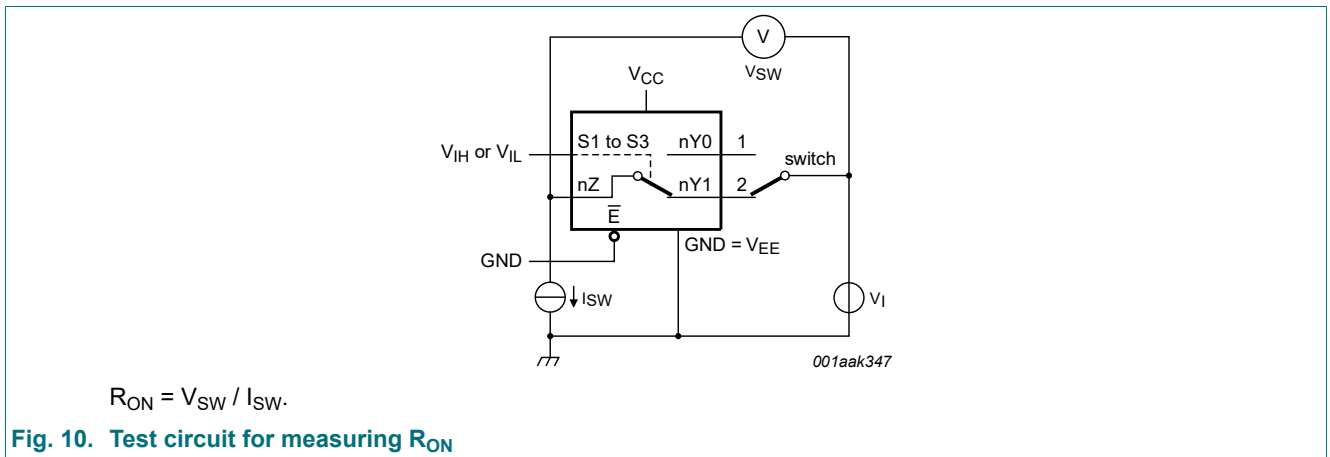
Symbol	Parameter	Conditions	-40 °C to +85 °C			-40 °C to +125 °C		Unit
			Min	Typ[1]	Max	Min	Max	
R _{ON(peak)}	ON resistance (peak)	$V_I = 0 \text{ V to } V_{CC} - V_{EE}$						
		$V_{CC} = 1.2 \text{ V}; I_{SW} = 100 \mu\text{A}$ [2]	-	-	-	-	-	Ω
		$V_{CC} = 2.0 \text{ V}; I_{SW} = 1000 \mu\text{A}$	-	180	365	-	435	Ω
		$V_{CC} = 2.7 \text{ V}; I_{SW} = 1000 \mu\text{A}$	-	115	225	-	270	Ω
		$V_{CC} = 3.0 \text{ V to } 3.6 \text{ V}; I_{SW} = 1000 \mu\text{A}$	-	100	200	-	245	Ω
		$V_{CC} = 4.5 \text{ V}; I_{SW} = 1000 \mu\text{A}$	-	75	150	-	180	Ω
		$V_{CC} = 6.0 \text{ V}; I_{SW} = 1000 \mu\text{A}$	-	70	140	-	165	Ω
ΔR _{ON}	ON resistance mismatch between channels	$V_I = 0 \text{ V to } V_{CC} - V_{EE}$						
		$V_{CC} = 1.2 \text{ V}; I_{SW} = 100 \mu\text{A}$ [2]	-	-	-	-	-	Ω
		$V_{CC} = 2.0 \text{ V}; I_{SW} = 1000 \mu\text{A}$	-	5	-	-	-	Ω
		$V_{CC} = 2.7 \text{ V}; I_{SW} = 1000 \mu\text{A}$	-	4	-	-	-	Ω
		$V_{CC} = 3.0 \text{ V to } 3.6 \text{ V}; I_{SW} = 1000 \mu\text{A}$	-	4	-	-	-	Ω
		$V_{CC} = 4.5 \text{ V}; I_{SW} = 1000 \mu\text{A}$	-	3	-	-	-	Ω
		$V_{CC} = 6.0 \text{ V}; I_{SW} = 1000 \mu\text{A}$	-	2	-	-	-	Ω
R _{ON(rail)}	ON resistance (rail)	$V_I = \text{GND}$						
		$V_{CC} = 1.2 \text{ V}; I_{SW} = 100 \mu\text{A}$ [2]	-	250	-	-	-	Ω
		$V_{CC} = 2.0 \text{ V}; I_{SW} = 1000 \mu\text{A}$	-	120	280	-	325	Ω
		$V_{CC} = 2.7 \text{ V}; I_{SW} = 1000 \mu\text{A}$	-	75	170	-	195	Ω
		$V_{CC} = 3.0 \text{ V to } 3.6 \text{ V}; I_{SW} = 1000 \mu\text{A}$	-	70	155	-	180	Ω
		$V_{CC} = 4.5 \text{ V}; I_{SW} = 1000 \mu\text{A}$	-	50	120	-	135	Ω
		$V_{CC} = 6.0 \text{ V}; I_{SW} = 1000 \mu\text{A}$	-	45	105	-	120	Ω

Symbol	Parameter	Conditions	-40 °C to +85 °C			-40 °C to +125 °C		Unit
			Min	Typ[1]	Max	Min	Max	
R _{ON(rail)}	ON resistance (rail)	V _I = V _{CC} - V _{EE}						
		V _{CC} = 1.2 V; I _{SW} = 100 μA [2]	-	350	-	-	-	Ω
		V _{CC} = 2.0 V; I _{SW} = 1000 μA	-	170	340	-	400	Ω
		V _{CC} = 2.7 V; I _{SW} = 1000 μA	-	105	210	-	250	Ω
		V _{CC} = 3.0 V to 3.6 V; I _{SW} = 1000 μA	-	95	190	-	225	Ω
		V _{CC} = 4.5 V; I _{SW} = 1000 μA	-	70	140	-	165	Ω
		V _{CC} = 6.0 V; I _{SW} = 1000 μA	-	65	125	-	150	Ω

[1] Typical values are measured at T_{amb} = 25 °C.

[2] When supply voltages (V_{CC} - V_{EE}) near 1.2 V the analog switch ON resistance becomes extremely non-linear. When using a supply of 1.2 V, it is recommended to use these devices only for transmitting digital signals.

9.3. On resistance waveform and test circuit



10. Dynamic characteristics

Table 8. Dynamic characteristics

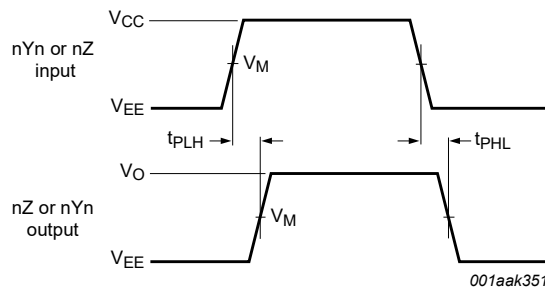
Voltages are referenced to GND (ground = 0 V). For test circuit see Fig. 14.

Symbol	Parameter	Conditions	-40 °C to +85 °C			-40 °C to +125 °C		Unit
			Min	Typ[1]	Max	Min	Max	
t_{pd}	propagation delay	nYn, nZ to nZ, nYn; see Fig. 12 [2]						
		$V_{CC} = 1.2\text{ V}$	-	25	-	-	-	ns
		$V_{CC} = 2.0\text{ V}$	-	9	17	-	20	ns
		$V_{CC} = 2.7\text{ V}$	-	6	13	-	15	ns
		$V_{CC} = 3.0\text{ V to }3.6\text{ V}$ [3]	-	5	10	-	12	ns
		$V_{CC} = 4.5\text{ V}$	-	4	9	-	10	ns
		$V_{CC} = 6.0\text{ V}$	-	3	7	-	8	ns
t_{en}	enable time	\bar{E} to nYn, nZ; see Fig. 13 [2]						
		$V_{CC} = 1.2\text{ V}$	-	100	-	-	-	ns
		$V_{CC} = 2.0\text{ V}$	-	34	65	-	77	ns
		$V_{CC} = 2.7\text{ V}$	-	25	48	-	56	ns
		$V_{CC} = 3.0\text{ V to }3.6\text{ V}; C_L = 15\text{ pF}$ [3]	-	16	-	-	-	ns
		$V_{CC} = 3.0\text{ V to }3.6\text{ V}$ [3]	-	19	38	-	45	ns
		$V_{CC} = 4.5\text{ V}$	-	17	32	-	38	ns
		$V_{CC} = 6.0\text{ V}$	-	13	25	-	29	ns
		Sn to nYn, nZ; see Fig. 13 [2]						
		$V_{CC} = 1.2\text{ V}$	-	125	-	-	-	ns
		$V_{CC} = 2.0\text{ V}$	-	43	82	-	97	ns
		$V_{CC} = 2.7\text{ V}$	-	31	60	-	71	ns
		$V_{CC} = 3.0\text{ V to }3.6\text{ V}; C_L = 15\text{ pF}$ [3]	-	20	-	-	-	ns
		$V_{CC} = 3.0\text{ V to }3.6\text{ V}$ [3]	-	24	48	-	57	ns
		$V_{CC} = 4.5\text{ V}$	-	21	41	-	48	ns
		$V_{CC} = 6.0\text{ V}$	-	16	31	-	37	ns
t_{dis}	disable time	\bar{E} to nYn, nZ; see Fig. 13 [2]						
		$V_{CC} = 1.2\text{ V}$	-	95	-	-	-	ns
		$V_{CC} = 2.0\text{ V}$	-	34	61	-	73	ns
		$V_{CC} = 2.7\text{ V}$	-	26	46	-	54	ns
		$V_{CC} = 3.0\text{ V to }3.6\text{ V}; C_L = 15\text{ pF}$ [3]	-	17	-	-	-	ns
		$V_{CC} = 3.0\text{ V to }3.6\text{ V}$ [3]	-	20	37	-	44	ns
		$V_{CC} = 4.5\text{ V}$	-	18	32	-	38	ns
		$V_{CC} = 6.0\text{ V}$	-	15	25	-	30	ns
		Sn to nYn, nZ; see Fig. 13 [2]						
		$V_{CC} = 1.2\text{ V}$	-	90	-	-	-	ns
		$V_{CC} = 2.0\text{ V}$	-	32	59	-	70	ns
		$V_{CC} = 2.7\text{ V}$	-	24	44	-	52	ns
		$V_{CC} = 3.0\text{ V to }3.6\text{ V}; C_L = 15\text{ pF}$ [3]	-	16	-	-	-	ns
		$V_{CC} = 3.0\text{ V to }3.6\text{ V}$ [3]	-	19	36	-	42	ns
		$V_{CC} = 4.5\text{ V}$	-	17	31	-	36	ns
		$V_{CC} = 6.0\text{ V}$	-	14	24	-	28	ns

Symbol	Parameter	Conditions	-40 °C to +85 °C			-40 °C to +125 °C		Unit
			Min	Typ[1]	Max	Min	Max	
C _{PD}	power dissipation capacitance	C _L = 50 pF; f _i = 1 MHz; V _I = GND to V _{CC} [4]	-	36	-	-	-	pF

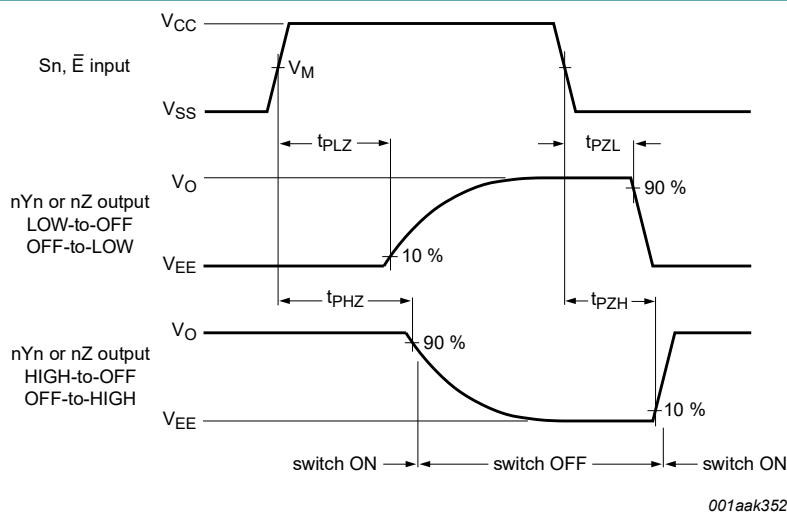
- [1] All typical values are measured at T_{amb} = 25 °C.
- [2] t_{pd} is the same as t_{PLH} and t_{PHL}.
t_{en} is the same as t_{PZL} and t_{PZH}.
t_{dis} is the same as t_{PLZ} and t_{PHZ}.
- [3] Typical values are measured at nominal supply voltage (V_{CC} = 3.3 V).
- [4] C_{PD} is used to determine the dynamic power dissipation (P_D in μW).
P_D = C_{PD} × V_{CC}² × f_i × N + Σ((C_L + C_{SW}) × V_{CC}² × f_o) where:
f_i = input frequency in MHz, f_o = output frequency in MHz
C_L = output load capacitance in pF
C_{SW} = maximum switch capacitance in pF;
V_{CC} = supply voltage in Volts
N = number of inputs switching
Σ(C_L × V_{CC}² × f_o) = sum of the outputs.

10.1. Waveforms and test circuit



Measurement points are given in [Table 9](#).
V_{OL} and V_{OH} are typical voltage output levels that occur with the output load.

Fig. 12. Propagation delay input (nYn, nZ) to output (nZ, nYn)

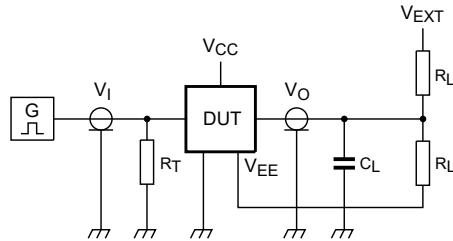
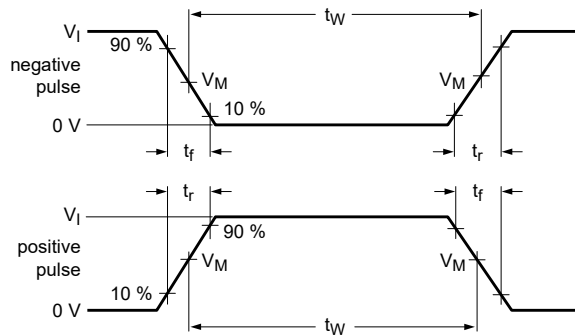


Measurement points are given in [Table 9](#).
V_{OL} and V_{OH} are typical voltage output levels that occur with the output load.

Fig. 13. Enable and disable times

Table 9. Measurement points

Supply voltage	Input	Output		
V_{CC}	V_M	V_M	V_X	V_Y
< 2.7 V	$0.5V_{CC}$	$0.5V_{CC}$	$V_{OL} + 0.1V_{CC}$	$V_{OH} - 0.1V_{CC}$
2.7 V to 3.6 V	1.5 V	1.5 V	$V_{OL} + 0.3 V$	$V_{OH} - 0.3 V$
> 3.6 V	$0.5V_{CC}$	$0.5V_{CC}$	$V_{OL} + 0.1V_{CC}$	$V_{OH} - 0.1V_{CC}$



001aak353

Test data is given in [Table 10](#).

Definitions for test circuit:

R_L = Load resistance.

C_L = Load capacitance including jig and probe capacitance.

R_T = Termination resistance should be equal to output impedance Z_o of the pulse generator.

V_{EXT} = External voltage for measuring switching times.

Fig. 14. Test circuit for measuring switching times

Table 10. Test data

Supply voltage	Input		Load		V_{EXT}		
V_{CC}	V_I	t_r, t_f	C_L	R_L	t_{PHL}, t_{PLH}	t_{PZH}, t_{PHZ}	t_{PZL}, t_{PLZ}
< 2.7 V	V_{CC}	$\leq 6 \text{ ns}$	50 pF	1 k Ω	open	V_{EE}	$2V_{CC}$
2.7 V to 3.6 V	2.7 V	$\leq 6 \text{ ns}$	15 pF, 50 pF	1 k Ω	open	V_{EE}	$2V_{CC}$
> 3.6 V	V_{CC}	$\leq 6 \text{ ns}$	50 pF	1 k Ω	open	V_{EE}	$2V_{CC}$

10.2. Additional dynamic parameters

Table 11. Additional dynamic characteristics

At recommended operating conditions; voltages are referenced to GND (ground = 0 V); $V_I = \text{GND}$ or V_{CC} (unless otherwise specified); $t_r = t_f \leq 6.0 \text{ ns}$; $T_{amb} = 25 \text{ }^\circ\text{C}$.

Symbol	Parameter	Conditions	Min	Typ	Max	Unit
THD	total harmonic distortion	$f_i = 1 \text{ kHz}$; $C_L = 50 \text{ pF}$; $R_L = 10 \text{ k}\Omega$; see Fig. 15				
		$V_{CC} = 3.0 \text{ V}$; $V_I = 2.75 \text{ V (p-p)}$	-	0.8	-	%
		$V_{CC} = 6.0 \text{ V}$; $V_I = 5.5 \text{ V (p-p)}$	-	0.4	-	%
		$f_i = 10 \text{ kHz}$; $C_L = 50 \text{ pF}$; $R_L = 10 \text{ k}\Omega$; see Fig. 15				
		$V_{CC} = 3.0 \text{ V}$; $V_I = 2.75 \text{ V (p-p)}$	-	2.4	-	%
		$V_{CC} = 6.0 \text{ V}$; $V_I = 5.5 \text{ V (p-p)}$	-	1.2	-	%
$f_{(-3\text{dB})}$	-3 dB frequency response	$C_L = 50 \text{ pF}$; $R_L = 50 \text{ }\Omega$; see Fig. 16 [1]				
		$V_{CC} = 3.0 \text{ V}$	-	180	-	MHz
		$V_{CC} = 6.0 \text{ V}$	-	200	-	MHz
α_{iso}	isolation (OFF-state)	$f_i = 1 \text{ MHz}$; $C_L = 50 \text{ pF}$; $R_L = 600 \text{ }\Omega$; see Fig. 18 [2]				
		$V_{CC} = 3.0 \text{ V}$	-	-50	-	dB
		$V_{CC} = 6.0 \text{ V}$	-	-50	-	dB
V_{ct}	crosstalk voltage	between digital inputs and switch; $f_i = 1 \text{ MHz}$; $C_L = 50 \text{ pF}$; $R_L = 600 \text{ }\Omega$; see Fig. 20 [2]				
		$V_{CC} = 3.0 \text{ V}$	-	0.11	-	V
		$V_{CC} = 6.0 \text{ V}$	-	0.12	-	V
Xtalk	crosstalk	between switches; $f_i = 1 \text{ MHz}$; $C_L = 50 \text{ pF}$; $R_L = 600 \text{ }\Omega$; see Fig. 21				
		$V_{CC} = 3.0 \text{ V}$	-	-60	-	dB
		$V_{CC} = 6.0 \text{ V}$	-	-60	-	dB

- [1] Adjust f_i voltage to obtain 0 dBm level at output for 1 MHz (0 dBm = 1 mW into 50 Ω).
- [2] Adjust f_i voltage to obtain 0 dBm level at output for 1 MHz (0 dBm = 1 mW into 600 Ω).

10.2.1. Test circuits

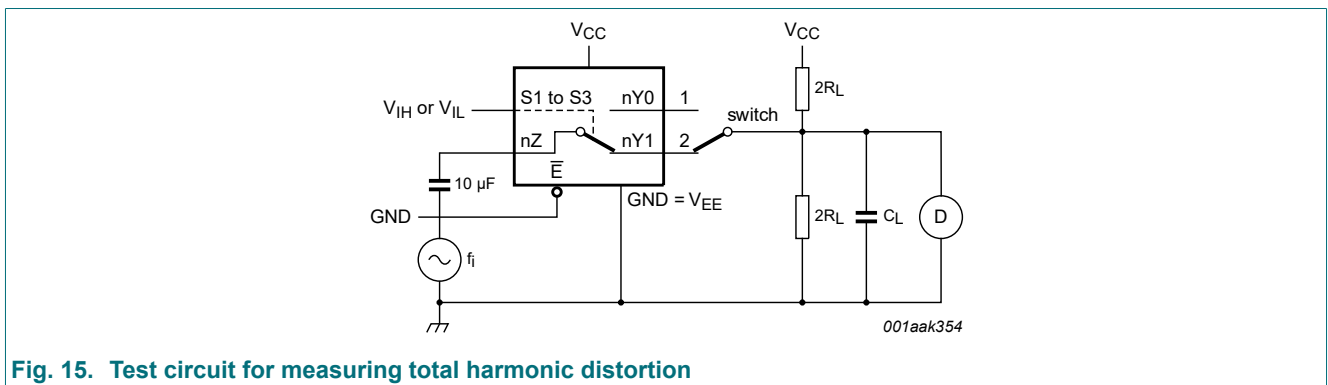


Fig. 15. Test circuit for measuring total harmonic distortion

Triple single-pole double-throw analog switch

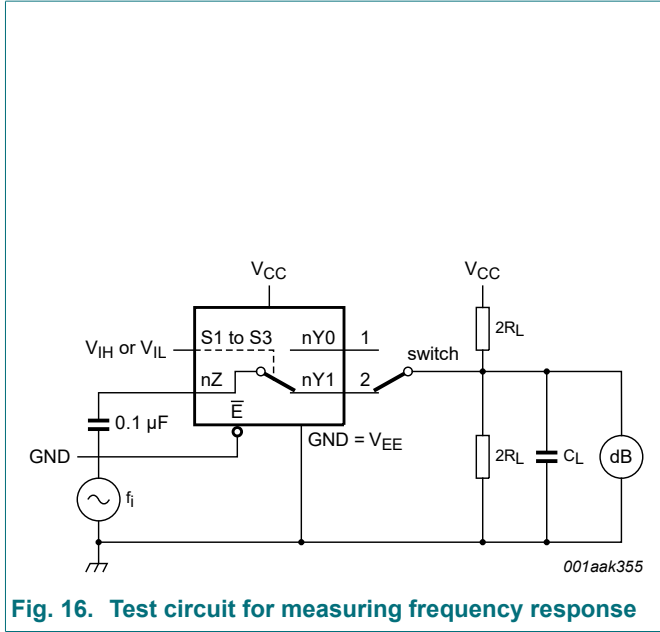


Fig. 16. Test circuit for measuring frequency response

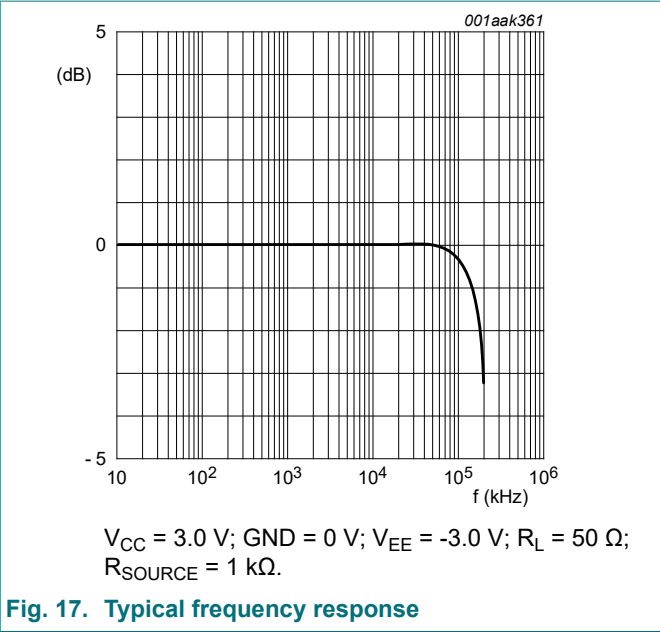


Fig. 17. Typical frequency response

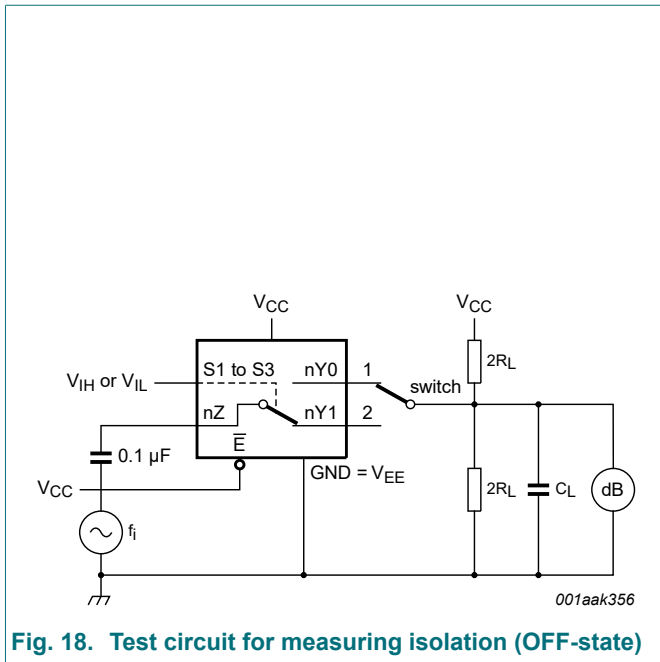


Fig. 18. Test circuit for measuring isolation (OFF-state)

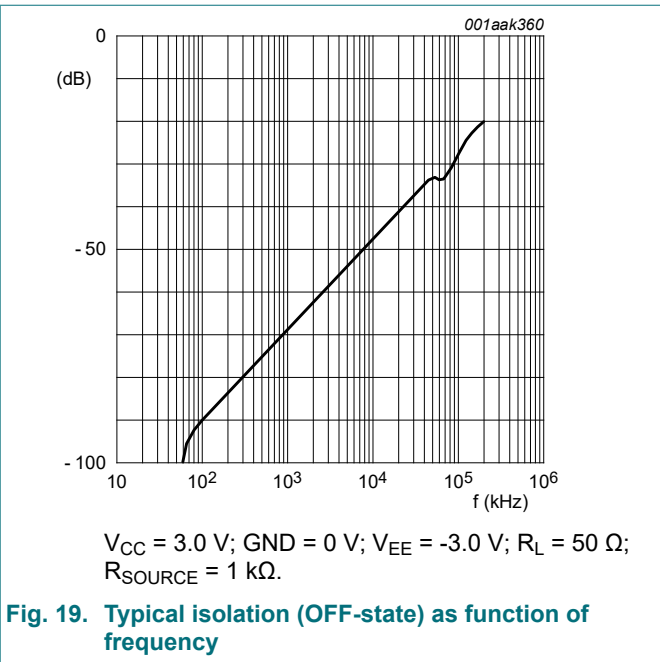
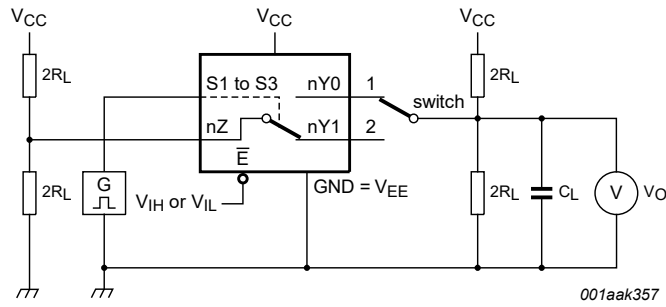
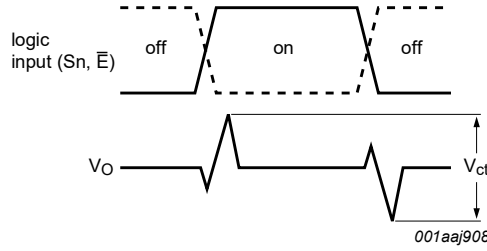


Fig. 19. Typical isolation (OFF-state) as function of frequency

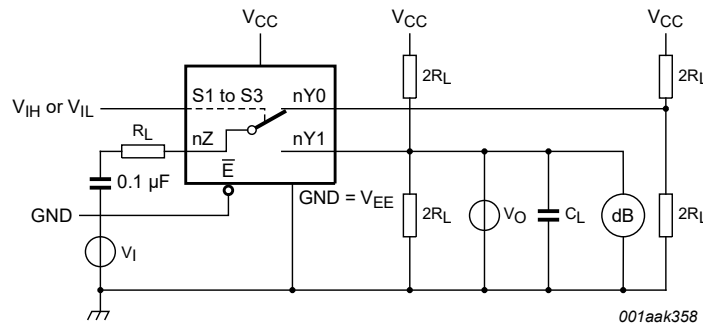


a. Test circuit

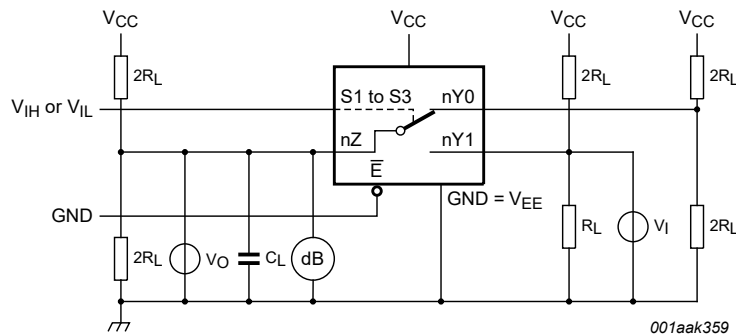


b. Input and output pulse definitions
 V_i may be connected to S_n or \bar{E} .

Fig. 20. Test circuit for measuring crosstalk voltage between digital inputs and switch



a. Switch closed condition



b. Switch open condition

Fig. 21. Test circuit for measuring crosstalk between switches

11. Package outline

SO16: plastic small outline package; 16 leads; body width 3.9 mm

SOT109-1



Fig. 22. Package outline SOT109-1 (SO16)

TSSOP16: plastic thin shrink small outline package; 16 leads; body width 4.4 mm

SOT403-1



Fig. 23. Package outline SOT403-1 (TSSOP16)

DHVQFN16: plastic dual in-line compatible thermal enhanced very thin quad flat package; no leads; 16 terminals; body 2.5 x 3.5 x 0.85 mm

SOT763-1



Fig. 24. Package outline SOT763-1 (DHVQFN16)

12. Abbreviations

Table 12. Abbreviations

Acronym	Description
CMOS	Complementary Metal-Oxide Semiconductor
ESD	ElectroStatic Discharge
HBM	Human Body Model
MIL	Military
MM	Machine Model
TTL	Transistor-Transistor Logic

13. Revision history

Table 13. Revision history

Document ID	Release date	Data sheet status	Change notice	Supersedes
74LV4053_Q100 v.2	20200923	Product data sheet	-	74LV4053_Q100 v.1
Modifications:	<ul style="list-style-type: none"> The format of this data sheet has been redesigned to comply with the identity guidelines of Nexperia. Legal texts have been adapted to the new company name where appropriate. Section 2 updated. Table 4: Derating values for P_{tot} total power dissipation updated. 			
74LV4053_Q100 v.1	20140325	Product data sheet	-	-

14. Legal information

Data sheet status

Document status [1][2]	Product status [3]	Definition
Objective [short] data sheet	Development	This document contains data from the objective specification for product development.
Preliminary [short] data sheet	Qualification	This document contains data from the preliminary specification.
Product [short] data sheet	Production	This document contains the product specification.

- [1] Please consult the most recently issued document before initiating or completing a design.
- [2] The term 'short data sheet' is explained in section "Definitions".
- [3] The product status of device(s) described in this document may have changed since this document was published and may differ in case of multiple devices. The latest product status information is available on the internet at <https://www.nexperia.com>.

Definitions

Draft — The document is a draft version only. The content is still under internal review and subject to formal approval, which may result in modifications or additions. Nexperia does not give any representations or warranties as to the accuracy or completeness of information included herein and shall have no liability for the consequences of use of such information.

Short data sheet — A short data sheet is an extract from a full data sheet with the same product type number(s) and title. A short data sheet is intended for quick reference only and should not be relied upon to contain detailed and full information. For detailed and full information see the relevant full data sheet, which is available on request via the local Nexperia sales office. In case of any inconsistency or conflict with the short data sheet, the full data sheet shall prevail.

Product specification — The information and data provided in a Product data sheet shall define the specification of the product as agreed between Nexperia and its customer, unless Nexperia and customer have explicitly agreed otherwise in writing. In no event however, shall an agreement be valid in which the Nexperia product is deemed to offer functions and qualities beyond those described in the Product data sheet.

Disclaimers

Limited warranty and liability — Information in this document is believed to be accurate and reliable. However, Nexperia does not give any representations or warranties, expressed or implied, as to the accuracy or completeness of such information and shall have no liability for the consequences of use of such information. Nexperia takes no responsibility for the content in this document if provided by an information source outside of Nexperia.

In no event shall Nexperia be liable for any indirect, incidental, punitive, special or consequential damages (including - without limitation - lost profits, lost savings, business interruption, costs related to the removal or replacement of any products or rework charges) whether or not such damages are based on tort (including negligence), warranty, breach of contract or any other legal theory.

Notwithstanding any damages that customer might incur for any reason whatsoever, Nexperia's aggregate and cumulative liability towards customer for the products described herein shall be limited in accordance with the Terms and conditions of commercial sale of Nexperia.

Right to make changes — Nexperia reserves the right to make changes to information published in this document, including without limitation specifications and product descriptions, at any time and without notice. This document supersedes and replaces all information supplied prior to the publication hereof.

Suitability for use in automotive applications — This Nexperia product has been qualified for use in automotive applications. Unless otherwise agreed in writing, the product is not designed, authorized or warranted to be suitable for use in life support, life-critical or safety-critical systems or

equipment, nor in applications where failure or malfunction of an Nexperia product can reasonably be expected to result in personal injury, death or severe property or environmental damage. Nexperia and its suppliers accept no liability for inclusion and/or use of Nexperia products in such equipment or applications and therefore such inclusion and/or use is at the customer's own risk.

Quick reference data — The Quick reference data is an extract of the product data given in the Limiting values and Characteristics sections of this document, and as such is not complete, exhaustive or legally binding.

Applications — Applications that are described herein for any of these products are for illustrative purposes only. Nexperia makes no representation or warranty that such applications will be suitable for the specified use without further testing or modification.

Customers are responsible for the design and operation of their applications and products using Nexperia products, and Nexperia accepts no liability for any assistance with applications or customer product design. It is customer's sole responsibility to determine whether the Nexperia product is suitable and fit for the customer's applications and products planned, as well as for the planned application and use of customer's third party customer(s). Customers should provide appropriate design and operating safeguards to minimize the risks associated with their applications and products.

Nexperia does not accept any liability related to any default, damage, costs or problem which is based on any weakness or default in the customer's applications or products, or the application or use by customer's third party customer(s). Customer is responsible for doing all necessary testing for the customer's applications and products using Nexperia products in order to avoid a default of the applications and the products or of the application or use by customer's third party customer(s). Nexperia does not accept any liability in this respect.

Limiting values — Stress above one or more limiting values (as defined in the Absolute Maximum Ratings System of IEC 60134) will cause permanent damage to the device. Limiting values are stress ratings only and (proper) operation of the device at these or any other conditions above those given in the Recommended operating conditions section (if present) or the Characteristics sections of this document is not warranted. Constant or repeated exposure to limiting values will permanently and irreversibly affect the quality and reliability of the device.

Terms and conditions of commercial sale — Nexperia products are sold subject to the general terms and conditions of commercial sale, as published at <http://www.nexperia.com/profile/terms>, unless otherwise agreed in a valid written individual agreement. In case an individual agreement is concluded only the terms and conditions of the respective agreement shall apply. Nexperia hereby expressly objects to applying the customer's general terms and conditions with regard to the purchase of Nexperia products by customer.

No offer to sell or license — Nothing in this document may be interpreted or construed as an offer to sell products that is open for acceptance or the grant, conveyance or implication of any license under any copyrights, patents or other industrial or intellectual property rights.

Export control — This document as well as the item(s) described herein may be subject to export control regulations. Export might require a prior authorization from competent authorities.

Translations — A non-English (translated) version of a document is for reference only. The English version shall prevail in case of any discrepancy between the translated and English versions.

Trademarks

Notice: All referenced brands, product names, service names and trademarks are the property of their respective owners.

Contents

1. General description	1
2. Features and benefits	1
3. Ordering information	2
4. Functional diagram	2
5. Pinning information	4
5.1. Pinning.....	4
5.2. Pin description.....	4
6. Functional description	4
7. Limiting values	5
8. Recommended operating conditions	5
9. Static characteristics	6
9.1. Test circuits.....	7
9.2. ON resistance.....	7
9.3. On resistance waveform and test circuit.....	8
10. Dynamic characteristics	9
10.1. Waveforms and test circuit.....	10
10.2. Additional dynamic parameters.....	12
10.2.1. Test circuits.....	12
11. Package outline	15
12. Abbreviations	18
13. Revision history	18
14. Legal information	19

© Nexperia B.V. 2020. All rights reserved

For more information, please visit: <http://www.nexperia.com>

For sales office addresses, please send an email to: salesaddresses@nexperia.com

Date of release: 23 September 2020
