

DO NOT SCALE FROM THIS PRINT

DESIGNED & DIMENSIONED IN MILLIMETERS [INCHES]

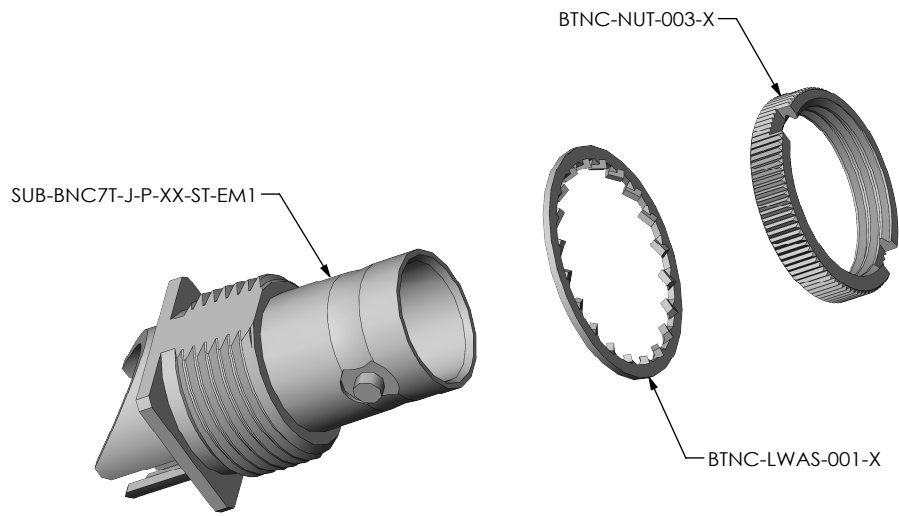


FIG 1
BNC7T-J-P-XX-ST-EM1 SHOWN

BNC7T-J-P-XX-ST-EM1

GENDER
-J: JACK

TERMINATION
-EM1: EDGE MOUNT (FOR 1.57[.062] THICK PCB)

TYPE
-P: PCB

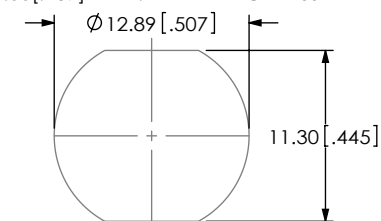
ORIENTATION
-ST: STRAIGHT

PLATING SPECIFICATION
-HN: HEAVY GOLD/NICKEL (SEE NOTES 5 & 6)
(SUB-BNC7T-J-P-HN-ST-EM1)
(BTNC-NUT-003-N)
(BTNC-LWAS-001-N)

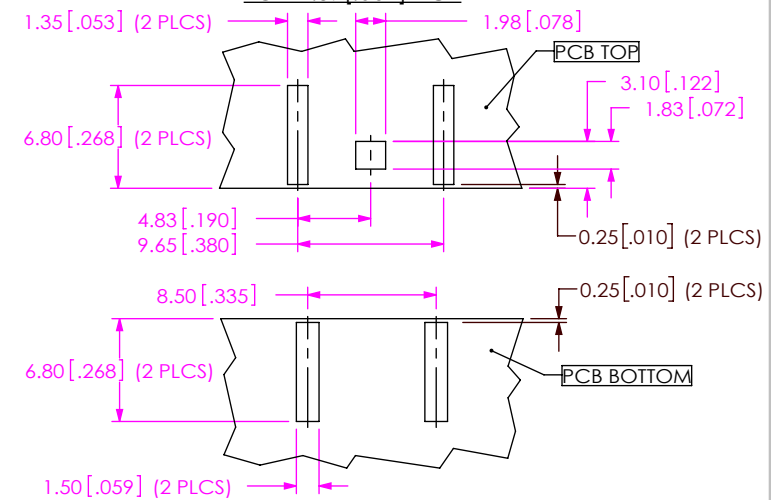
-GN: GOLD/NICKEL (SEE NOTES 5 & 6)
(SUB-BNC7T-J-P-GN-ST-EM1)
(BTNC-NUT-003-N)
(BTNC-LWAS-001-N)

-MN: MEDIUM GOLD/NICKEL (EXISTING CUSTOMERS ONLY)
(SUB-BNC7T-J-P-GN-ST-EM1)
(BTNC-NUT-003-N)
(BTNC-LWAS-001-N)

RECOMMENDED MOUNTING HOLE
4.00[.157] MAX. PANEL THICKNESS



RECOMMENDED LAYOUT FOR 1.57[.062] PCB



NOTES:

- ⊕ REPRESENTS A CRITICAL DIMENSION.
- FABRICATED PARTS MUST BE FREE OF SCRATCHES, TOOL MARKS, ETC.
- SUPPLIER TO REMOVE BURRS.
- RoHS COMPLIANT.
- COMPONENT PLATING DESIGNATIONS:
-H: .000030" MIN. GOLD OVER .000050. (MIN) NICKEL.
-G: .000010" MIN. GOLD OVER .000050" MIN. NICKEL
-N: .000100" MIN. NICKEL.
- ASSEMBLY PLATING DESIGNATIONS:
-HN: (CENTER CONTACT)-H
(OUTER CONTACT) -N
(REMAINING METAL PARTS) -N
-GN, MN:(CENTER CONTACT)-G
(OUTER CONTACT) -N
(REMAINING METAL PARTS) -N
- PRODUCT TO BE PACKAGED PER PACKAGING STANDARD CO-RF-WI-3040-M.

UNLESS OTHERWISE SPECIFIED, DIMENSIONS ARE IN MILLIMETERS.
TOLERANCES ARE:
DECIMALS ANGLES
.X: ±0.3 [0.1] 2°
.XX: ±0.13 [0.05]
.XXX: ±0.051 [0.020]

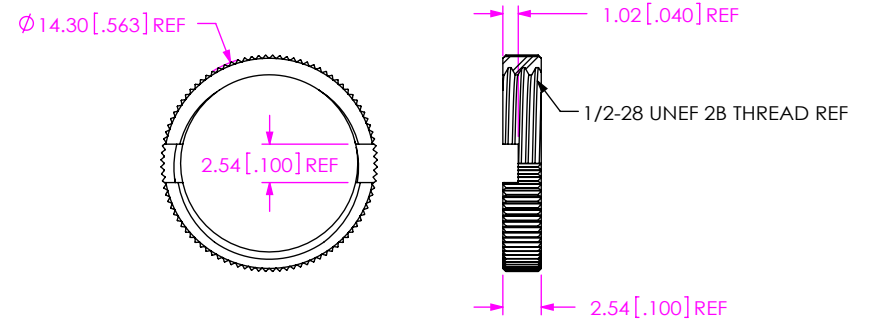
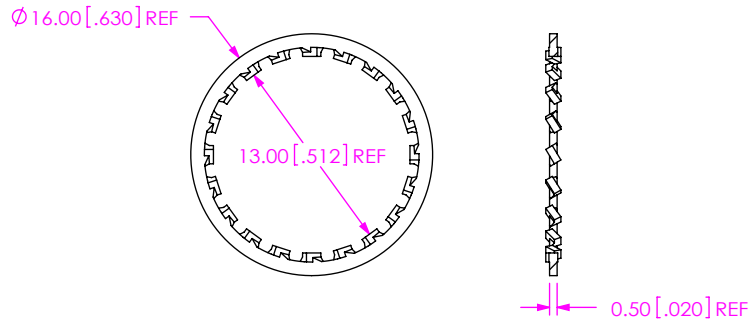
PROPRIETARY NOTE
THIS DOCUMENT CONTAINS INFORMATION CONFIDENTIAL AND PROPRIETARY TO SAMTEC, INC. AND SHALL NOT BE REPRODUCED OR TRANSFERRED TO OTHER DOCUMENTS OR DISCLOSED TO OTHERS OR USED FOR ANY PURPOSE OTHER THAN THAT WHICH IT WAS OBTAINED WITHOUT THE EXPRESSED WRITTEN CONSENT OF SAMTEC, INC.



520 PARK EAST BLVD, NEW ALBANY, IN 47150
PHONE: 812-944-6733 FAX: 812-948-5047
e-Mail: info@SAMTEC.com code: 55322

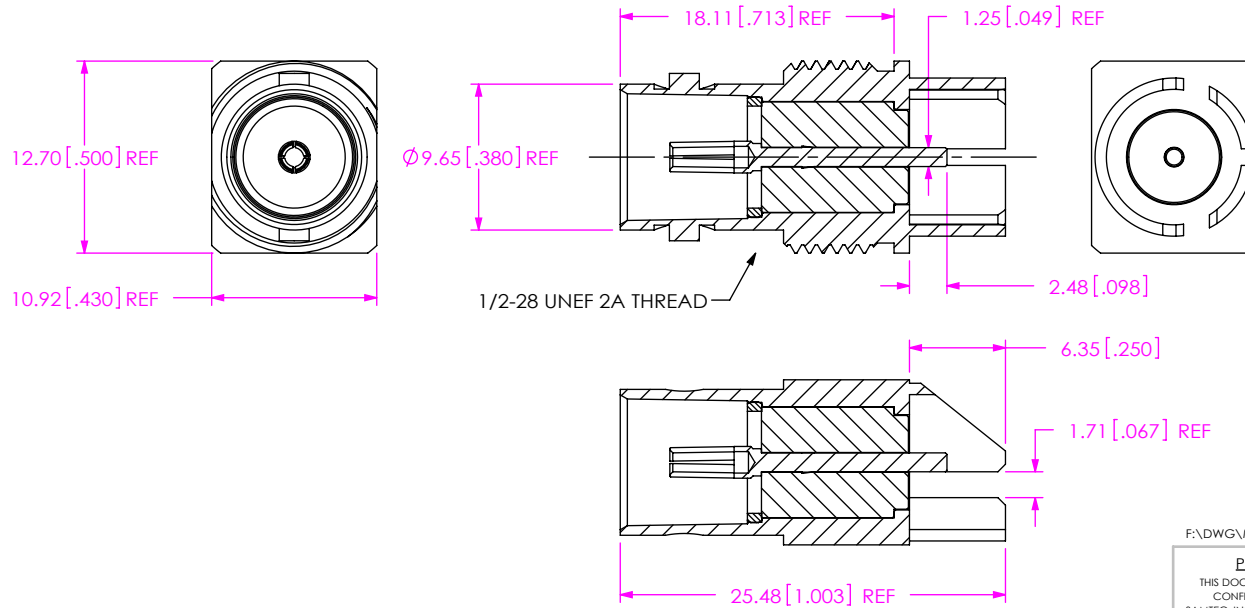
DO NOT SCALE DRAWING SHEET SCALE: 2:1

DESCRIPTION:	BNC7T EDGE MOUNT STRAIGHT JACK
DWG. NO.	BNC7T-J-P-XX-ST-EM1
BY: G.HERMAN	01/04/2008 SHEET 1 OF 2



SAMTEC PART NUMBER	ITEM
BTNC-LWAS-001-X	LOCKWASHER

SAMTEC PART NUMBER	ITEM
BTNC-NUT-003-X	KNURLED NUT



F:\DWG\MISC\MKTG\BNC7T-J-P-XX-ST-EM1-MKT.SLDDRW

PROPRIETARY NOTE
 THIS DOCUMENT CONTAINS INFORMATION
 CONFIDENTIAL AND PROPRIETARY TO
 SAMTEC, INC. AND SHALL NOT BE REPRODUCED
 OR TRANSFERRED TO OTHER DOCUMENTS OR
 DISCLOSED TO OTHERS OR USED FOR ANY
 PURPOSE OTHER THAN THAT WHICH IT WAS
 OBTAINED WITHOUT THE EXPRESSED WRITTEN
 CONSENT OF SAMTEC, INC.



520 PARK EAST BLVD, NEW ALBANY, IN 47150
 PHONE: 812-944-6733 FAX: 812-948-5047
 e-Mail: info@SAMTEC.com code: 55322

DO NOT SCALE DRAWING

DESCRIPTION:
 BNC7T EDGE MOUNT STRAIGHT JACK

SHEET SCALE: 2:1

DWG. NO.
 BNC7T-J-P-XX-ST-EM1

BY: G.HERMAN 01/04/2008 SHEET 2 OF 2

SAMTEC PART NUMBER	ITEM
SUB-BNC7T-J-P-XX-ST-EM1	SUB ASSEMBLY