



Quality Products. Service Excellence.

1200-14000 BTU/H Indoor Air Conditioner *DTT Series*

Type 12, Top Mounting

X **Note:** This product line has been discontinued as a stocked series. Information is for reference only. For alternative solution assistance, please **contact Hammond here** or call: USA (716) 630-7030, Canada and International (519) 822-2960.

Description



- Designed for top mounting where space limitations do not allow side mounting on the enclosure surface.
- Closed loop cooling ensures clean enclosure air is recirculated without ever mixing with contaminated ambient air.
- Excellent security level due to patented condensate management system, which prevents condensate from penetrating the enclosure.
- High reliability and long maintenance intervals
- Quick release mounting frame

Standards

- Maintains NEMA 12 rating
- IP 54
- UR, cUR and CE

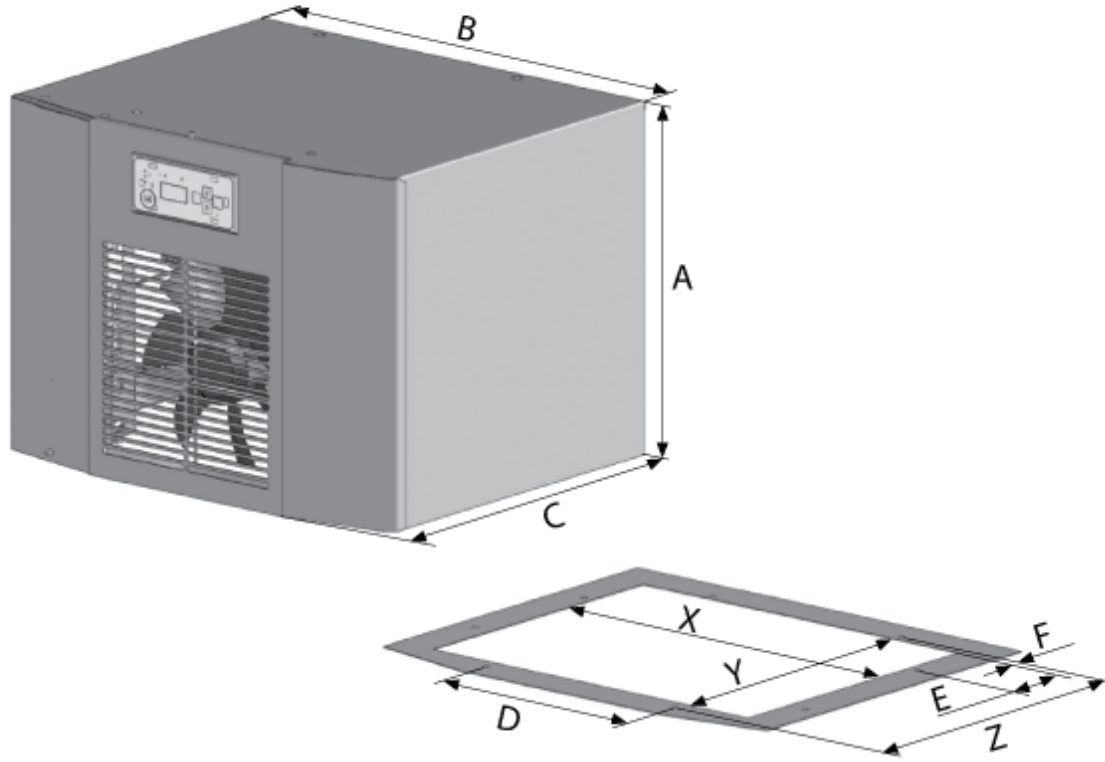


Features

- R134a refrigerant.
- Thermostat control accessible from inside enclosure.
- Hot gas bypass valve prevents evaporator freeze up while minimizing heavy inrush currents on large BTU/H units.
- Built in condensate evaporator.
- Continuous air circulation from high capacity fans.
- EMI/RFI suppression meets CE.
- Self-diagnostics on startup.
- Fault indication via LED light.
- Provision for door contact allowing power down when enclosure door is opened.
- Gasket, mounting kit and template for enclosure cutout and drilling are included.
- Condensate drain hose and clamp provided.

Accessories

- Remote Door Switches
- Condensate Bottle



| Part Number | A | B | C | D | E | F | X | Y | Z |
|---------------|-------|-------|-------|-------|-------|------|-------|-------|-------|
| DTT6101A115LG | 17.00 | 23.40 | 15.60 | 11.50 | 3.30 | 0.55 | 18.70 | 10.20 | 11.90 |
| DTT6101A230LG | 17.00 | 23.40 | 15.60 | 11.50 | 3.30 | 0.55 | 18.70 | 10.20 | 11.90 |
| DTT6201A115LG | 17.00 | 23.40 | 15.60 | 11.50 | 3.30 | 0.55 | 18.70 | 10.20 | 11.90 |
| DTT6201A230LG | 17.00 | 23.40 | 15.60 | 11.50 | 3.30 | 0.55 | 18.70 | 10.20 | 11.90 |
| DTT6201A460LG | 17.00 | 23.40 | 15.60 | 11.50 | 3.30 | 0.55 | 18.70 | 10.20 | 11.90 |
| DTT6301A115LG | 17.10 | 23.40 | 19.50 | 11.50 | 10.10 | 0.45 | 19.50 | 15.60 | 16.50 |
| DTT6301A230LG | 17.10 | 23.40 | 19.50 | 11.50 | 10.10 | 0.45 | 19.50 | 15.60 | 16.50 |
| DTT6301A460LG | 17.10 | 23.40 | 19.50 | 11.50 | 10.10 | 0.45 | 19.50 | 15.60 | 16.50 |
| DTT6401A115LG | 17.10 | 23.40 | 19.50 | 11.50 | 10.10 | 0.45 | 19.50 | 15.60 | 16.50 |
| DTT6401A230LG | 17.10 | 23.40 | 19.50 | 11.50 | 10.10 | 0.45 | 19.50 | 15.60 | 16.50 |
| DTT6601A460LG | 19.10 | 31.30 | 22.60 | 13.40 | 7.90 | 0.55 | 27.20 | 15.40 | 16.50 |
| DTT6801A460LG | 19.10 | 31.30 | 22.60 | 13.40 | 7.90 | 0.55 | 27.20 | 15.40 | 16.50 |

| | DTT6101A115LG | DTT6101A230LG | DTT6201A115LG | DTT6201A230LG | DTT6201A460LG |
|------------------------|---------------|---------------|---------------|---------------|---------------|
| Cooling Capacity (BTU) | 1700 | 1700 | 3500 | 3500 | 3500 |
| Rated Voltage +/- 10% | 115 | 230 | 115 | 230 | 400/460 |
| Frequency | 50/60 Hz | 50/60 Hz | 50/60 Hz | 50/60 Hz | 50/60 Hz |
| Power Consumption (W) | 569 | 458/532 | 877 | 663/805 | 706/845 |
| Running Amps | 5.2 | 2.2/2.4 | 8.05 | 3.39/3.83 | 1.5/1.8 |
| Starting Current (A) | | 23 | | 8.5/9.3 | |

| | DTT6301A115LG | DTT6301A230LG | DTT6301A460LG | DTT6401A115LG | DTT6401A230LG | DTT6401A460LG |
|------------------------|---------------|---------------|---------------|---------------|---------------|---------------|
| Cooling Capacity (BTU) | 5100 | 5100 | 5100 | 6800 | 6800 | 6800 |
| Rated Voltage +/- 10% | 115 | 230 | 400/460 | 115 | 230 | 400/460 |
| Frequency | 50/60 Hz | 50/60 Hz | 50/60 Hz | 50/60 Hz | 50/60 Hz | 50/60 Hz |
| Power Consumption (W) | 1027 | 980/1140 | 962/1150 | 1894 | 1049/1275 | 1300/1598 |
| Running Amps | 10.8 | 6.3/6.4 | 3.1/3.2 | 15.5 | 5.1/5.5 | 2.3/2.4 |
| Starting Current (A) | 32 | 19.7 | 9.8 | 34 | 16.8 | 41253 |

| | DTT6001A460LG | DTT6801A460LG |
|------------------------|---------------|---------------|
| Cooling Capacity (BTU) | 10000 | 13600 |
| Rated Voltage +/- 10% | 400/460 | 400/460 |
| Frequency | 50/60 Hz | 50/60 Hz |
| Power Consumption (W) | 1700/2100 | 1618/2050 |
| Running Amps | 2.45/2.49 | 3.4/3.5 |
| Starting Current (A) | 8.9/9.9 | 17.1/19.5 |

| All Models | |
|-----------------------|---|
| Electrical Connection | Terminal Block with Plug |
| Min/Max Ambient Temp | +59...+131 F / +15...+55 C |
| Exterior Case | Galvanized Sheet Steel Color RAL 7035 Powder Finish |

Quick Installation Frame

| Part No. | Use with Models |
|---------------|---------------------|
| DTT61016202LG | DTT 6101 / DTT6201 |
| DTT63016401LG | DTT 6301 / DTT 6401 |
| DTT66016801LG | DTT 6601 / DTT 6801 |

Data subject to change without notice

© 2022. Hammond Manufacturing Ltd. All rights reserved.