

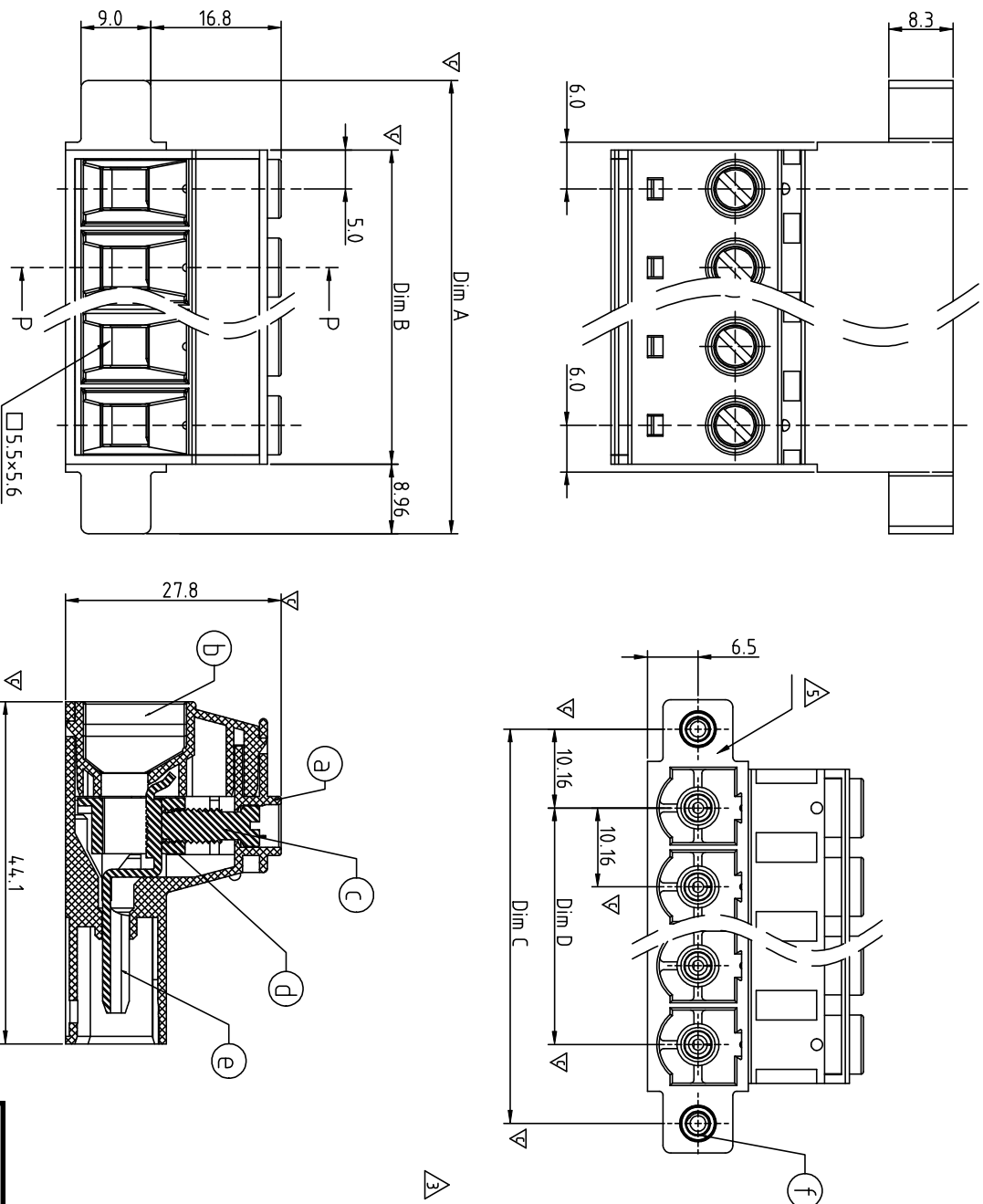
SIGN	DATE	DESCRIPTION	APPROVER
△	2010.05.31	Add cULus standard	Jacke
△	2011.07.04	The Tolerance is changed	Aaron
△	2011.07.04	Remove the "cULus" mark	Aaron
△	2011.12.15	Screw is changed from M4 to M4.5	Aaron
△	2012.05.24	Update drawing	Chen Bo

Material

- Item a Terminal body:Thermoplastic (UL94V-0)
- Item b Terminal cover:Thermoplastic (UL94V-0)
- Item c Terminal screw:Steel Zinc plating "-" slot type
- Item d Clamp:Brass, Ni plated
- Item e Male contact pin: Copper Gold plated
- Item f With flange nut:Steel Zinc plating M3

Electrical cULus / IEC

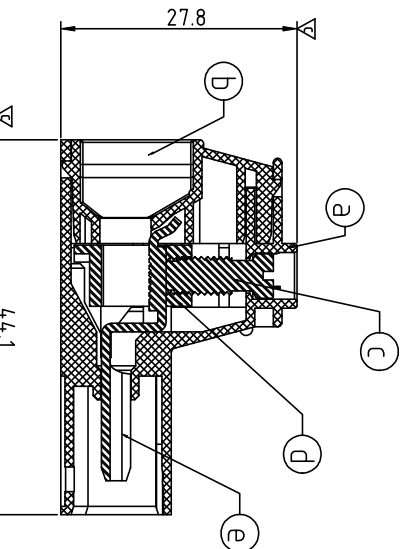
- Voltage rating: 300VAC / 1000VAC
- Current rating: 55A / 76A
- Solid wire: 6-20 / 0.5-16mm²
- Stranded wire: 6-20 / 0.5-16mm²
- Torque: 18 Lb-In / 2.0 Nm
- Screw: M4.5
- Wire strip length: 13-14mm
- Withstanding Voltage: 16KV / 8KV
- Operating temperature: -40°C to +115°C
- Safety Approval:
- Critical dimension: ∇



N = Number of poles

Dim A	Dim B	Dim C	Dim D
N×10.16+17.76	N×10.16+0.16	(N-1)×10.16+20.32	(N-1)×10.16

Poles	Tolerance
2P-4P	±0.25
5P-7P	±0.30
8P-10P	±0.35
11P-12P	±0.45



KK XX 61 X 3 XXXX G

- No. OF POLES: 02 2 CONTACTS, 03 3 CONTACTS, ... 12 12 CONTACTS
- Color: 0 Black (RAL9005), 1 Red (RAL3001/D), 2 Orange(RAL2011/P), 3 Yellow(RAL1018/A), 4 Green(RAL6018/T), 5 Blue (RAL5015/A), 6 Grey(RAL7035/D), 7 White(RAL1102), 8 Green(RAL6018/U)
- G: RoHS compliant (lead<4%)
- In copper Alloy
- 0000: "@" Logo (Standard)
- 000A: "ANYTEK" Mark
- Any special item by customer request. please contact sales department.

ANYTEK

CUSTOMER COPY

ALL RIGHTS RESERVED. REPRODUCTION OR ISSUE TO THIRD PARTIES IN ANY FORM WHATSOEVER IS NOT PERMITTED WITHOUT WRITTEN AUTHORITY FROM THE PROPRIETOR. PROPERTY OF ANYTEK TECHNOLOGY CO., LTD.

TITLE	DWG NO.		Tolerance	
KK 10.16 Series 2p-12p (W/F nut type)	8KK0101	X	±0.50	
PART NO. KKxxx61x3xxxxG		X	±0.30	
CHECKED	DESIGNED	DRAWN	SCALE: NONE	
Chen Bo	Chen Bo		UNIT: mm	
05/24'12	05/24'12		SCALE: NONE	
			REV.: E	
			SHEET: 01/01	