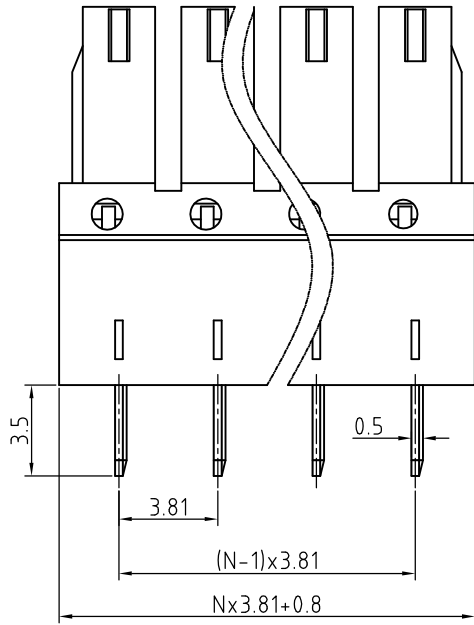
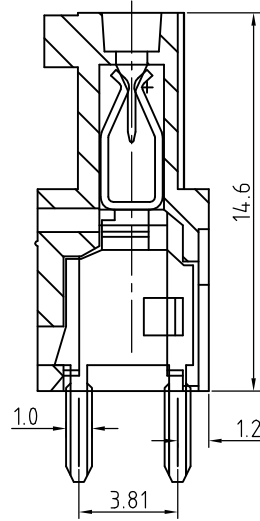


Transfer or duplication of this document as well as the utilisation or communication of its content are not permitted unless express consent is granted. Violations give rise to claims for damages. All rights reserved in case of patent, utility model or design patent registrations.



N=Number of contacts

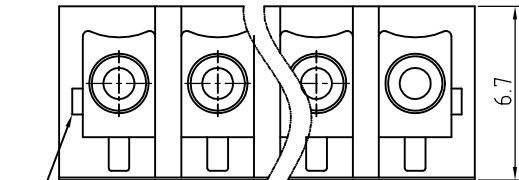


Technical Data:  
 Electrical  
 Pitch: 3.81mm  
 Voltage rating: 300V  
 Current rating: 12 Amps  
 Withstanding Voltage: 2500VAC(1min) Test time=60sec/1pcs  
 Mechanical:  
 Operating temperature: -40°C to +105°C  
 Soldering temperature  
 Temperature= 250°C± 10°C/ 5 seconds max  
 Safety approval: RoHS Compliance

Part No.:

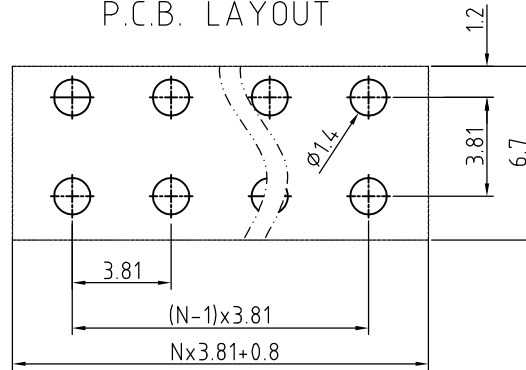
**OSTV7XX3150**

- |              |                     |
|--------------|---------------------|
| No. of Poles | COLOR               |
| 02 2 Poles   | 0: Black            |
| 03 3 Poles   | 2: Red              |
| ...          | 3: Orange           |
| 24 24 Poles  | 4: Yellow           |
|              | 5: Green (Standard) |
|              | 6: Blue             |
|              | 8: Grey             |
- Nonstandard colors  
Mins could apply



2p to 6p with wedge, above 7p  
without wedge(including 7p)

P.C.B. LAYOUT



2	Contact	Copper Alloy	Tin plated	1xN
1	Body	PA66 UL94V-0		1
ITEM	NAME OF PART	MATERIAL	NOTES	Q"TY
DWG	DATE	UNITS: MM	SHEET: 1 OF 1	Tolerance
CHK.	DATE	SCALE: NONE 5:1	REV.: A	X. ±0.50
APP.	DATE	TITLE: OSTV7 SERIES 3.81MM		X.XX ±0.30
		180° VERTICAL		X.XX ±0.10
		PART NO. OSTV7XX3150		X° ±1°
		DWG NO. OSTV7XX3150.DWG		

REV	△	DESCRIPTION	CHK.	DATE



ON-SHORE TECHNOLOGY, INC.

