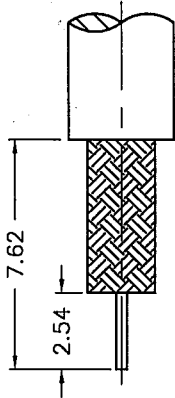


NOTES:

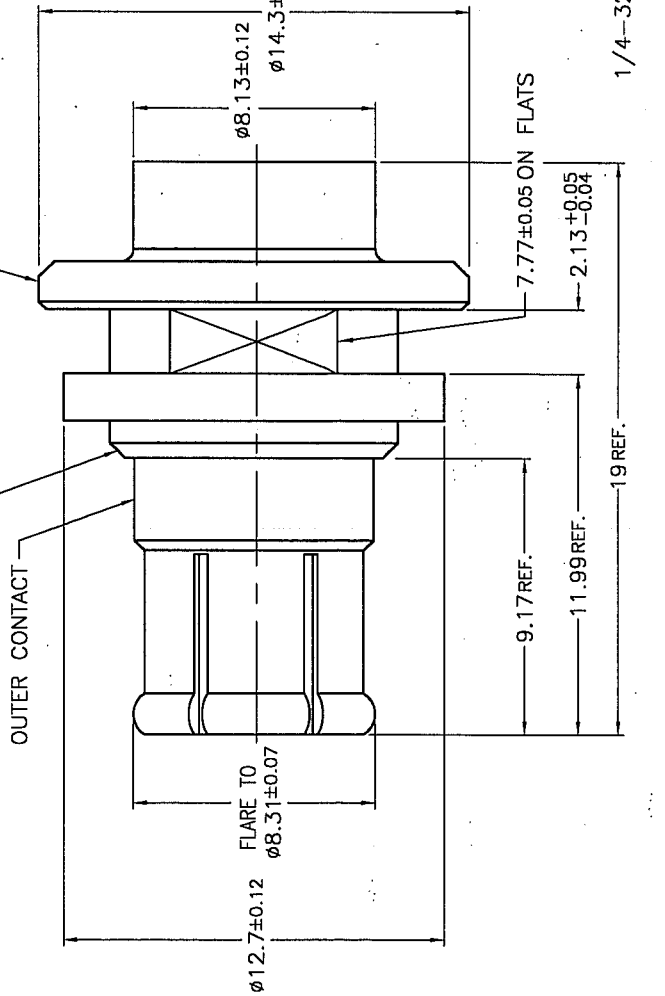
1. MATERIALS AND FINISHES:
 BODY, OUTER CONTACT, FERRULE, NUT - BRASS, GOLD PLATING
 CONTACT - BERYLLIUM COPPER, GOLD PLATING
 INSULATOR - PTFE
2. ELECTRICAL:
 A. IMPEDANCE: 50 OHM
 B. FREQUENCY RANGE: DC 0-3 GHz
 C. DIELECTRIC WITHSTANDING VOLTAGE: 500 VRMS, MIN.
3. MECHANICAL:
 A. DURABILITY: 500 CYCLES MIN.
 B. TEMPERATURE RANGE: - 65°C to +165°C

REMARK : 1. OUTER CONTACT MUST HOLD 6 in-oz TORQUE AND 25 lbs. PUSH OUT FORCE
 2. NUT TORQUE TO 15 IN-LB MIN.

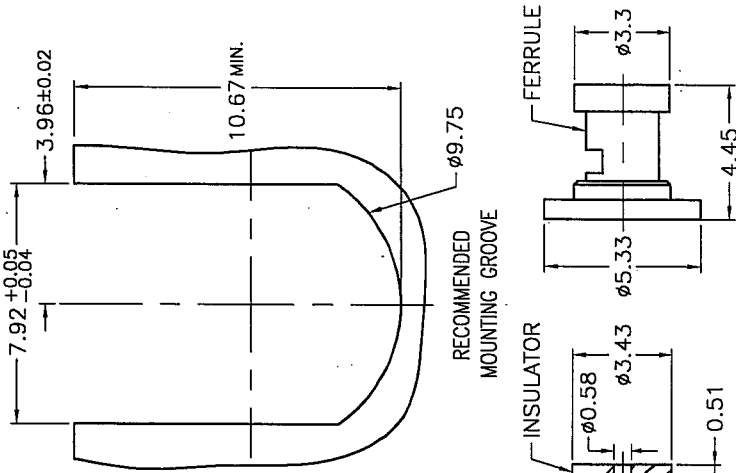


RECOMMENDED CABLE STRIPPING DIM'S

FORM OVER ALL AROUND.
 DO NOT BREAK THRU PLT.



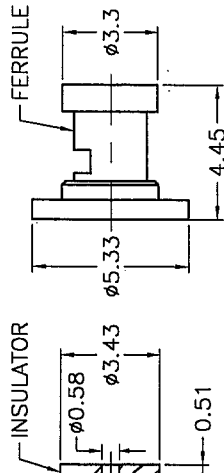
RECOMMENDED MOUNTING GROOVE



INSULATOR

CONTACT PIN

NUT



FERRULE

CUSTOMER OUTLINE DRAWING
 ALL OTHER SHEETS ARE FOR INTERNAL USE ONLY

REVISIONS

REV	DESCRIPTION	DATE	ECO	APPR
A	RELEASE TO MFG.	09/29/05	45739	KATE
B	ITEM 2 WAS CHANGED \RD-DMD05111601G	11/16/05		GEFFERY
C	SEE SHEET 1	08/24/06	48208	CISSY

31-6244

DRAWING NO.
 THIRD ANGLE PROJ.

DRAWN	ENGINEER	APPROVED	CAD FILE	DATE	DATE	DATE	TITLE	SCALE	SHEET	DRAWING NO.	DWG SIZE	CODE ID	ITEM NO.	REV
Gissy	Gifford	Agelaw	F:\DWG\CNPD\31\6244-BSZ	24-Aug-06	24-Aug-06	25-08-06	BNC JACK FOR COMPOSITE CABLE	4/1	2 OF 2	31-6244	B	74868	31-6244	C

MATERIAL

UNLESS OTHERWISE SPECIFIED, DIMENSIONS ARE IN INCHES AND TOLERANCES ARE:
 0.5 - 6mm ±0.1mm
 6 - 30mm ±0.2mm
 30 - 120mm ±0.3mm
 ANGLES ±1°

REFERENCE

FINISH

NOTICE - These drawings, specifications, or other data (1) are, and remain the property of Amphenol Corp. (2) must be returned upon request; and (3) are confidential and not to be disclosed to any person other than those to whom they are given by Amphenol Corp. The furnishing of these drawings, specifications, or other data by Amphenol Corp., or to any other person in any way for any purpose is not to be regarded by implication or otherwise in any manner licensing, granting rights, permitting such holder or any other person to manufacture, use or sell any products or processes, or to use any other intellectual property in any way be related to or disclosed by said drawings, specifications, or other data.