

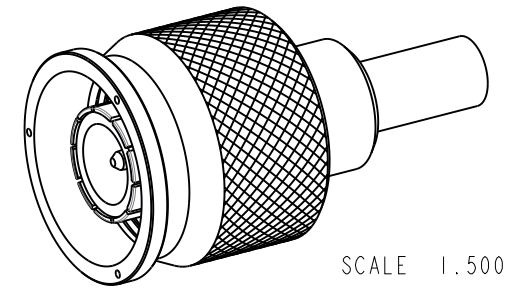
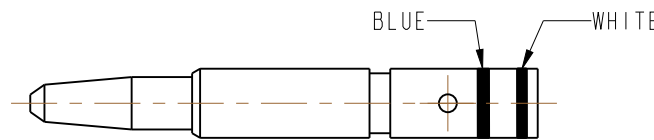
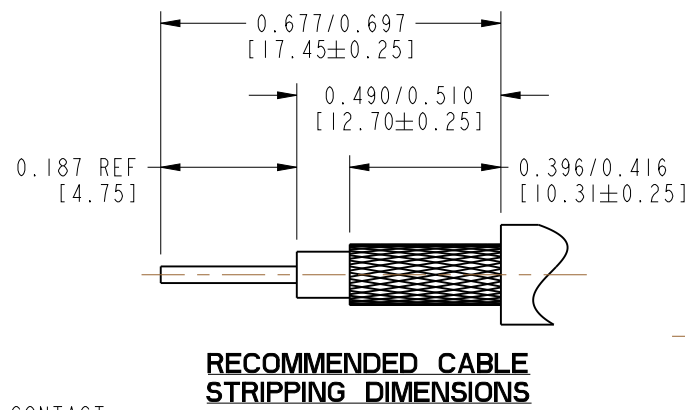
NOTES:

1. MATERIALS AND FINISHES:
 BODY & COUPLING NUT - BRASS, SILVER PLATING
 CONTACT - BRASS, GOLD PLATING
 CONTACT-OUTER - BeCu, GOLD PLATING
 INSULATOR - PTFE, NATURAL
 GASKET - SILICONE RUBBER, RED
 FERRULE - COPPER, GOLD PLATING
 RETAINING RING - PHOSPHOR BRONZE
2. PACKAGING:
 A. QUANTITY: SINGLE PACK
 B. MARKING: BAG TO BE MARKED
 "AMPHENOL RF, 82-4451, AND DATE CODE"
3. CABLE ASSEMBLY INSTRUCTIONS:
 A. TRIM CABLE AS SHOWN.
 B. SLIDE FERRULE OVER CABLE. INSERT CABLE CENTER CONDUCTOR INTO CONTACT.
 C. SOLDER OR CRIMP CONTACT TO CABLE.
 WHEN CRIMPING CONTACT TO CABLE, CRIMP WITH AMPHENOL TOOL 227-944 & DIE SET 227-1221-57 CAVITY 'B' OR MILITARY TOOL M22520/1-14.
 D. INSERT CABLE INTO CONNECTOR WITH BRAID OVER KNURL UNTIL IT BOTTOMS.
 E. CRIMP FERRULE WITH AMPHENOL TOOL 227-944 & DIE SET 227-1221-57 CAVITY 'A' OR MILITARY TOOL M22520/5-57 CLOSURE A.

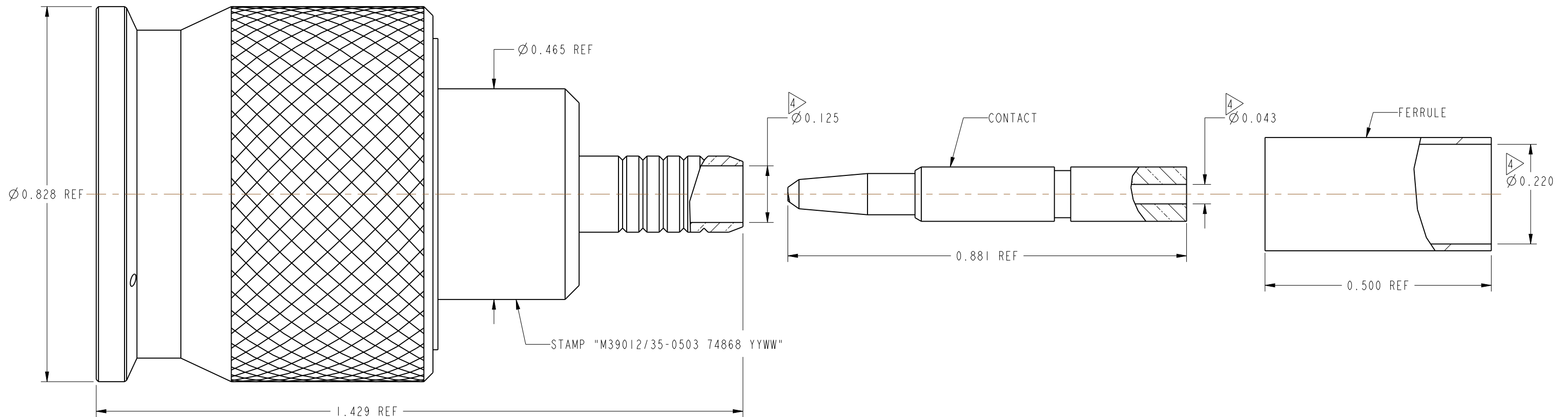
4 SHOWS CABLE STRIPPING DIMENSIONS.

THIRD ANGLE PROJ.

		REVISIONS		
REV	DESCRIPTION	DATE	ECN	APPR
--	RELEASE TO MFG.	--	--	--
R	REDRAWN IN PRO-E & COD ADDED WHITE COLOR BAND ON CENTER CONTACT WAS GRAY	08-Aug-19	12524	CJV



MIL-C-39012 INSPECTION



CUSTOMER OUTLINE DRAWING

ALL OTHER SHEETS ARE FOR INTERNAL USE ONLY

THIS CONNECTOR IS COVERED BY U.S. PATENT 3,439,294 & 3,474,391

UNLESS OTHERWISE SPECIFIED, DIMENSIONS ARE IN METRIC AND TOLERANCES ARE: <0.5mm ±0.05mm 0.5 - 6mm ±0.1mm 6 - 30mm ±0.2mm 30 - 120mm ±0.3mm ANGLES ±1°	MATERIAL SEE NOTES	DRAWN A ARUN PRABU	DATE 08-Jan-14	TITLE TYPE SC PLUG MIL-CRIMP (CATEGORY D) FOR RG-142B & RG 400/U CABLES	Amphenol RF www.amphenolrf.com
	REFERENCE EAR# --- REF:	ENGINEER K. CAPOZZI	DATE 08-Jan-14		
NOTICE - These drawings, specifications, or other data (1) are, and remain the property of Amphenol corp. (2) must be returned upon request; and (3) are confidential and not to be disclosed to any person other than those to whom they are given by Amphenol Corp. the furnishing of these drawings, specifications, or other data by Amphenol Corp., or to any other person to anyone for any purpose is not to be regarded by implication or otherwise in any manner licensing, granting rights to permitting such holder or any other person to manufacture, use or sell any product, process or design, patented or otherwise, that may in any way be related to or disclosed by said drawings, specifications, or other data.	CONFIGURATION LEVEL: In Work	CAD FILE	DATE 08-Aug-19	SCALE: 4.6:1.0 SHEET 2 OF 2	ITEM NO. 82-4451
	FINISH			DWG SIZE B	REV R