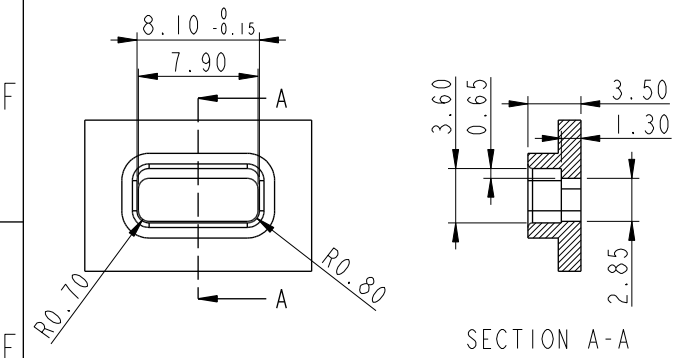


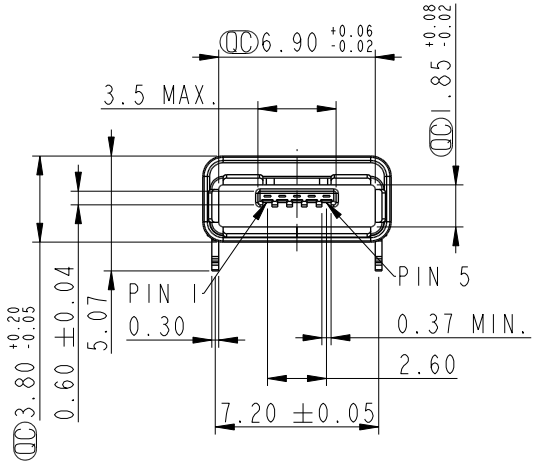
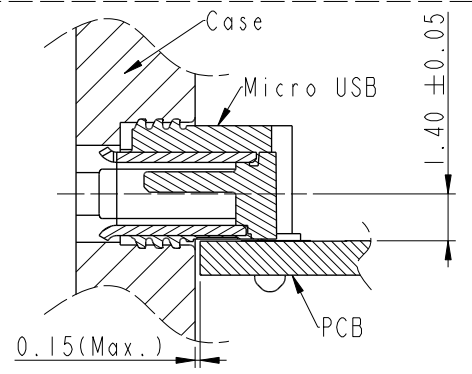
THIS DOCUMENT IS SUBJECT TO CHANGE WITHOUT NOTICE. IT IS CONFIDENTIAL AND A PROPERTY OF Amphenol LTW. DISCLOSURE TO THIRD PARTY HAS TO BE AUTHORIZED BY Amphenol LTW.

REV.	ECN NO.	DATE	SIGN	DESCRIPTION
B	LEN1681212~5	2016/08/18	Jason Yu	Add Dimension
C	LEN1790259~62	2017/09/15	Ruru	RoHS Label and blue and white label merger
D	C201913	2020/12/7	Ruru	$\triangle$ D XI

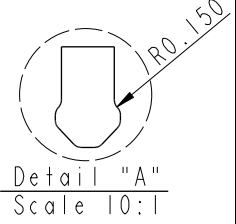
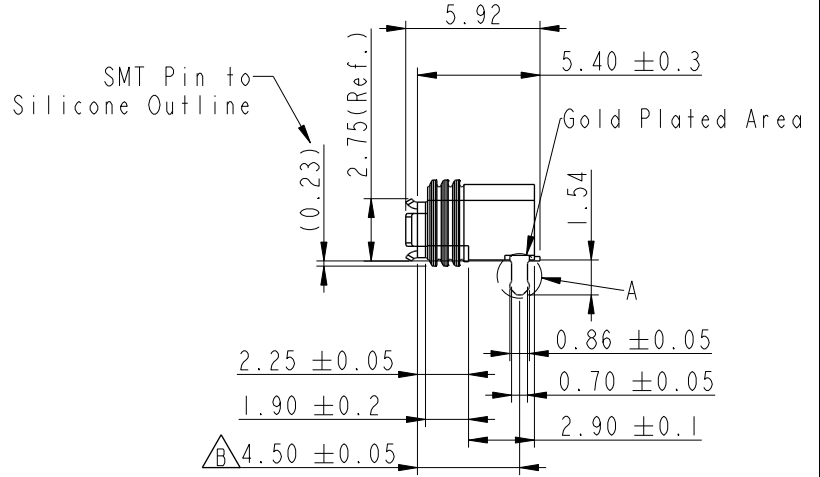


SECTION A-A

TOLERANCE Recommended Case Cut Out  
.XX±0.05 SCALE 2:1

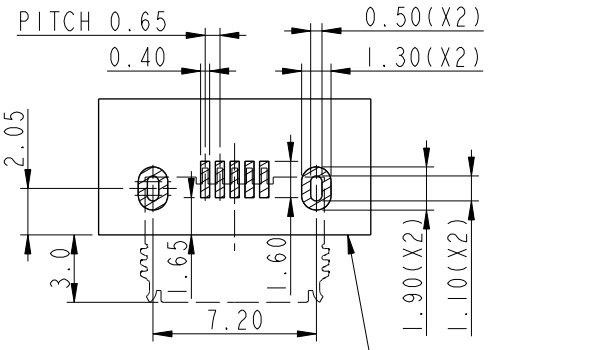
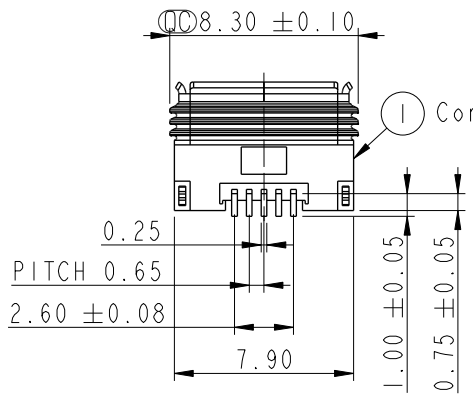


MUC-20PFFR-JSXX02



Detail "A"  
Scale 10:1

- †70: 1PX7( 1M depth of water in 30min)
- †8A: 1PX8( 1M depth of water in 24hrs)
- †8B: 1PX8( 5M depth of water in 24hrs)
- †8C: 1PX8(10M depth of water in 3hrs)



TOLERANCE .XX±0.05  
PCB Layout SCALE 2:1  
PCB front edge

- Note:
- \*  $\odot$  Important Dimensions To Check
  - \* Current: 1&5pin(1.8A), 2~4 pin(1.0A)
  - \* Housing: Nylon, Black
  - \* Terminal: Copper Alloy, Gold Plated
  - \* Shell: Stainless, Gold Plated
  - \* Inner Gasket: Silicone, Transparent
  - \* Outside Gasket: Silicone, Transparent
  - \* PCB Thickness: 1.2 MAX.
  - \* For Micro USB A & B type plug use
  - \* SMD Temperature & Time: 260°C / 5 sec

UNIT: mm			TITLE WATERPROOF MICRO-AB USB PANEL 20MAB F CONN JACK LENGHT PIN			
TOLERANCE .X ±0.25 .XX ±0.1 .XXX ±0.05 ANGLES ±1°	SCALE 3:1	SIZE A4	SHEET 1	OF 4	REV. D	WC-REV. A.6
			①: Inspection item			

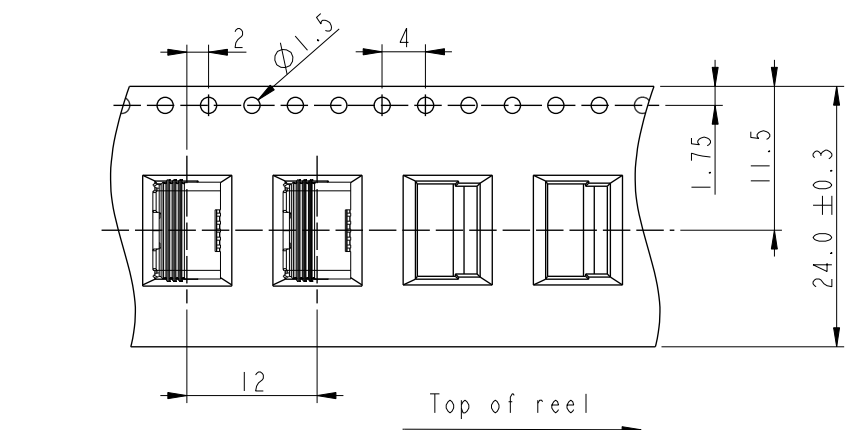
Amphenol LTW

安費諾亮泰企業股份有限公司

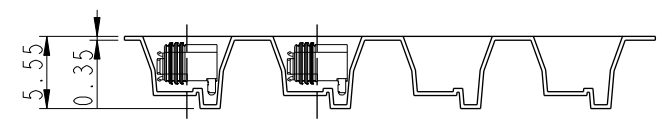
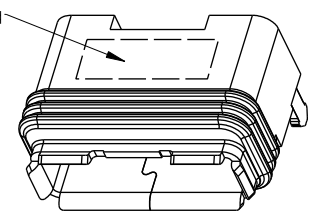
ITEM NO.	DRAWN BY	DATE
DWG NO. MUC-20PFFR-JSXX02	Ruru	2017-09-15
CUSTOMER	CHECKED BY	DATE
ALTW	Rita	2017-09-15
	APPROVED BY	DATE
	Max	2017-09-15

THIS DOCUMENT IS SUBJECT TO CHANGE WITHOUT NOTICE. IT IS CONFIDENTIAL AND A PROPERTY OF Amphenol LTW. DISCLOSURE TO THIRD PARTY HAS TO BE AUTHORIZED BY Amphenol LTW.

Tape & Reel Information:

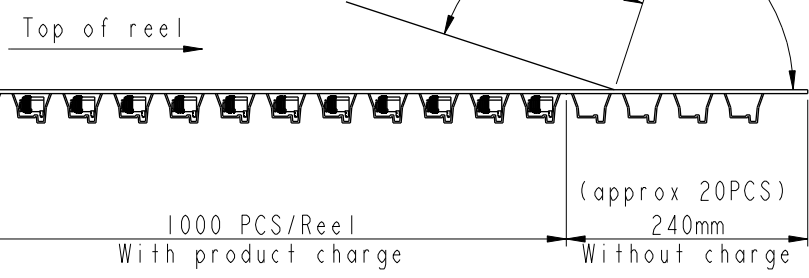
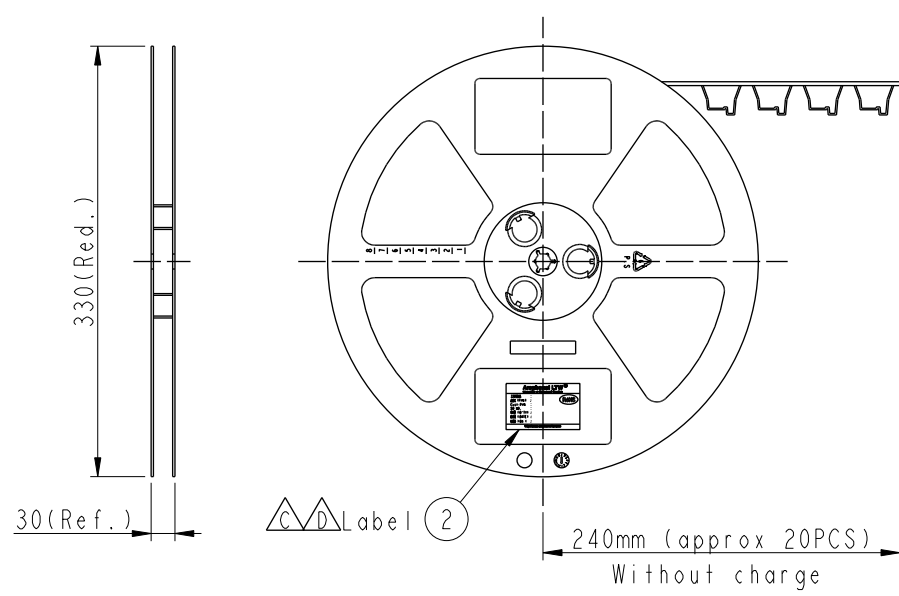


SMT Nozzle Area  
(6.0x2.0mm)



Wide cover tape around  
out periphery | turn

Peeling strenght 0.1~1.3N Max.  
(300±10mm/min)  
Peeling angle  
165~180°



UNIT: mm		
TOLERANCE	.X ±0.25	
	.XX ±0.1	
	.XXX ±0.05	
ANGLES	±1°	

TITLE WATERPROOF MICRO-AB USB PANEL 20MAB F CONN JACK LENGHT PIN			
SCALE Free	SIZE A4	SHEET 2 OF 4	
REV. D	WC-REV. A.6	QC: Inspection item	

**Amphenol LTW**  
安費諾亮泰企業股份有限公司

ITEM NO	DWG NO MUC-20PFFR-JSXX02
CUSTOMER ALTW	

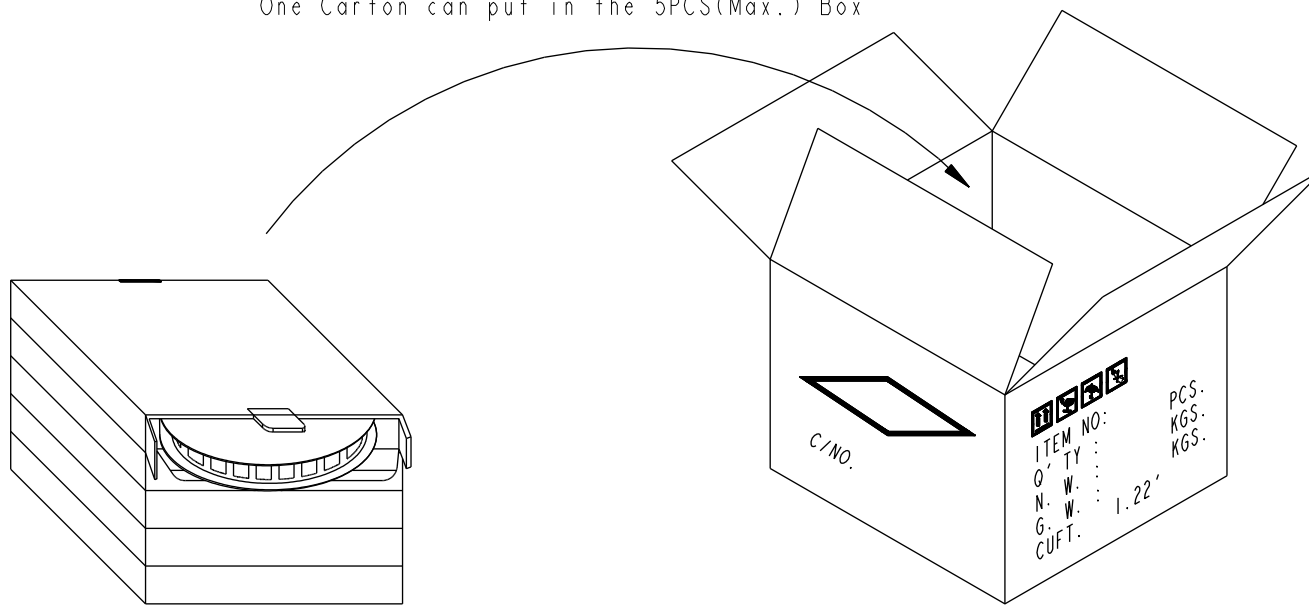
DRAWN BY Ruru	CHECKED BY Rita
APPROVED BY Max	

DATE 2017-09-15	DATE 2017-09-15
DATE 2017-09-15	

THIS DOCUMENT IS SUBJECT TO CHANGE WITHOUT NOTICE. IT IS CONFIDENTIAL AND A PROPERTY OF Amphenol LTW. DISCLOSURE TO THIRD PARTY HAS TO BE AUTHORIZED BY Amphenol LTW.

Package :

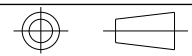
One Carton can put in the 5PCS(Max.) Box



1000 PCS(Connector)/Tape&Reel, Put in a Box

(5,000 PCS/Carton)

UNIT : mm



TOLERANCE	
.X	±0.25
.XX	±0.1
.XXX	±0.05
ANGLES	±1°

TITLE WATERPROOF MICRO-AB USB PANEL 20MAB F CONN JACK LENGHT PIN			
SCALE	SIZE	SHEET 3 OF 4	
Free	A4		
REV.	WC-REV.	☉: Inspection item	
D	A.3		

**Amphenol LTW**  
安費諾亮泰企業股份有限公司

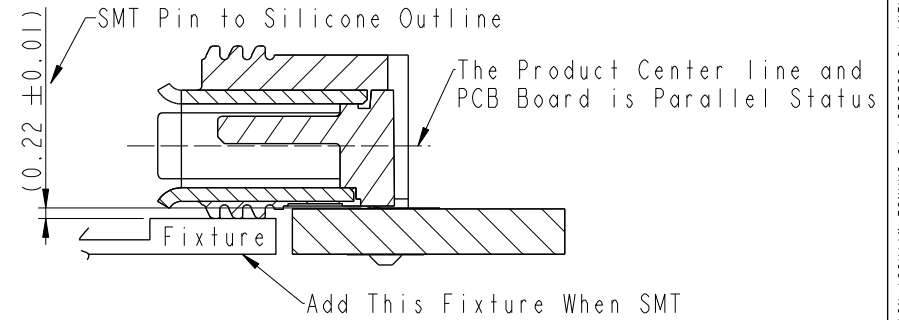
ITEM NO.	
DWG NO.	MUC-20PFFR-JSXX02
CUSTOMER	ALTW

DRAWN BY	Ruru
CHECKED BY	Rita
APPROVED BY	Max

DATE	2017-09-15
DATE	2017-09-15
DATE	2017-09-15

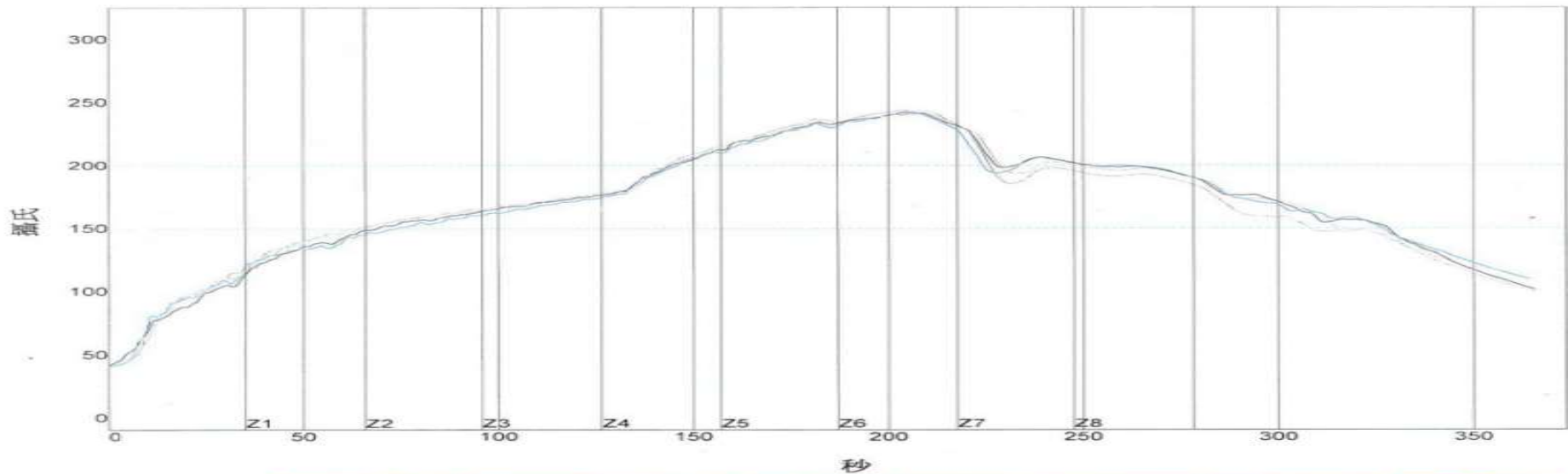
For SMT Process Recommend:

About Fixture:



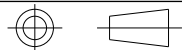
About IR Reflow Profile:

溫度設置 (攝氏)	1	2	3	4	5	6	7	8
溫區								
上溫區	160	180	180	180	190	245	265	260
下溫區	160	180	180	180	190	245	265	260
傳送帶速度 (米/分):	0.95							



PWi= 61%	最高上升斜率	最高下降斜率	恆溫時間150至200C	回流時間 /220C	最高溫度					
CON1	2.81	-6%	-2.33	33%	80.21	-33%	60.91	-30%	242.36	-18%
CON2	2.38	-21%	-2.14	43%	75.61	-48%	57.41	-42%	241.74	-22%
CON3	2.81	-6%	-2.84	8%	77.79	-41%	58.66	-38%	243.44	-10%
CON4	2.83	-6%	-2.34	33%	72.24	-59%	51.64	-61%	240.92	-27%
溫差	0.45		0.70		7.97		9.27		2.52	

UNIT: mm



TOLERANCE  
 .X ±0.25  
 .XX ±0.1  
 .XXX ±0.05  
 ANGLES ±1°

TITLE  
 WATERPROOF MICRO-AB USB  
 PANEL 20MAB F CONN JACK LENGHT PIN

SCALE Free SIZE A4 SHEET 4 OF 4  
 REV. D WC-REV. A.3 (CC): Inspection item

**Amphenol LTW**  
 安費諾亮泰企業股份有限公司

ITEM NO	DRAWN BY	DATE
	Ruru	2017-09-15
DWG NO	CHECKED BY	DATE
MUC-20PFFR-JSXX02	Rita	2017-09-15
CUSTOMER	APPROVED BY	DATE
ALTW	Max	2017-09-15

THIS DOCUMENT IS SUBJECT TO CHANGE WITHOUT NOTICE. IT IS CONFIDENTIAL AND A PROPERTY OF Amphenol LTW. DISCLOSURE TO THIRD PARTY HAS TO BE AUTHORIZED BY Amphenol LTW.