

Multi-function LCD Segment Drivers

BU97981xxx Series MAX 196 Segments (SEG49xCOM4)

Features

- Integrated RAM for Display Data (DDRAM):
49 x4 Bit (Max 196 Segment)
- LCD Drive Output:
4 Common Output, Max 49 Segment Output
- Integrated 3ch LED Driver Circuit
- Segment/ LED (Max 3port) Output Mode Selectable
- Segment/ GPO (Max 31port) Output Mode Selectable
- Support PWM Generation from Ext. or Internal Clock
(Resolution: 8bit Mode/12bit Mode Selectable)
- Support Standby Mode
- Integrated Power-on-Reset Circuit (POR)
- Integrated Oscillator Circuit
- No External Component
- Low Power Consumption Design
- Independent Power Supply for LCD Driving
- Support Blink Function
(Blink Frequency 1.6, 2.0, 2.6, 4.0Hz selectable)

Key Specifications

- Supply Voltage Range: +1.8V to +3.6V
- LCD Drive Power Supply Range: +3.3V to +5.5V
- Operating Temperature Range: -30°C to +75°C
- Max Segments:

BU97981KV	196 Segments
BU97981MUV	168 Segments
BU97981GU	196 Segments
- Max GPO Outputs:

BU97981KV	31port
BU97981MUV	27port
BU97981GU	31port
- Max LED Drive Outputs:

BU97981KV	3port
BU97981MUV	3port
BU97981GU	3port
- Display Duty: Static. 1/3, 1/4 Selectable
- Bias: Static, 1/3
- Integrated Regulator for LCD Drive:
3.2, 3.3, 3.4, 4.4, 4.5, 4.6, 5.0V Selectable
- Interface: 3wire Serial Interface

Applications

- Telephone
 - FAX
 - Portable Equipment (POS, ECR, PDA etc.)
 - DSC
 - DVC
 - Car audio
 - Home Electrical Appliance
 - Meter Equipment
- etc.

Typical Application Circuit

BU97981KV LED/GPO using case
 LED : 3port
 GPO : 5port
 LCD :164seg

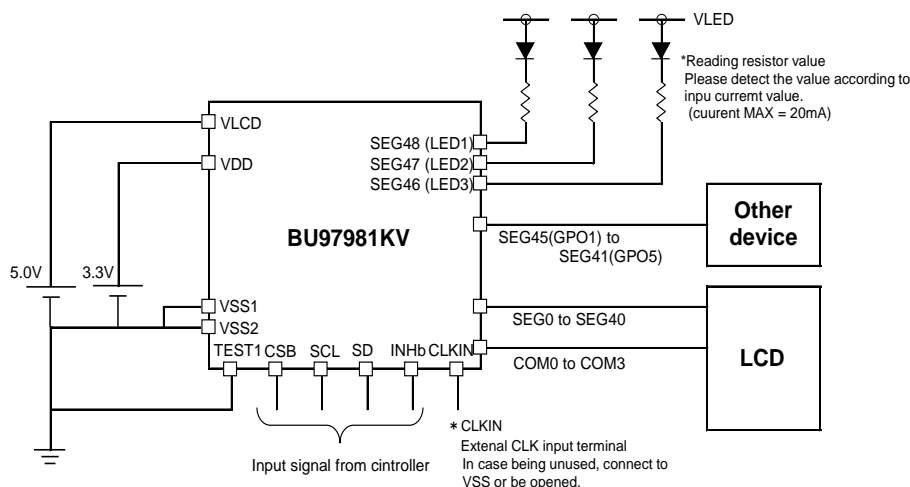


Figure 1. Typical Application Circuit

Block Diagram / Pin Arrangement / Pin Description

BU97981KV

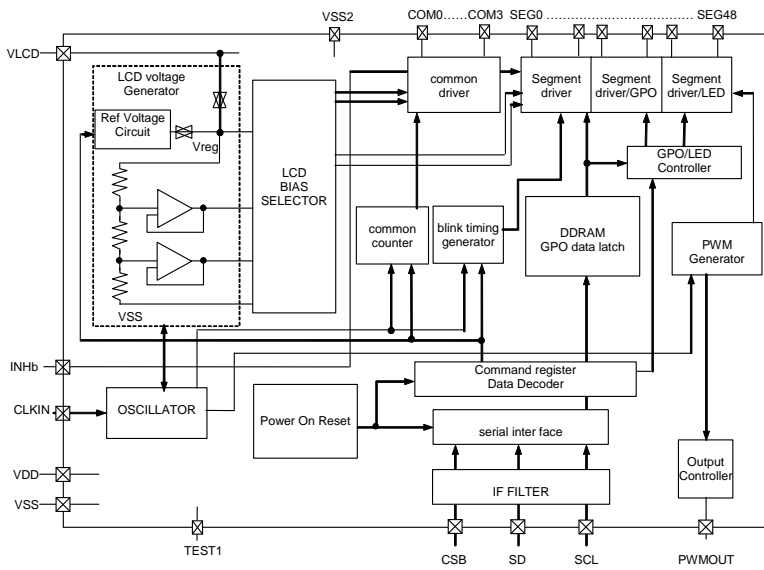


Figure 2. Block Diagram

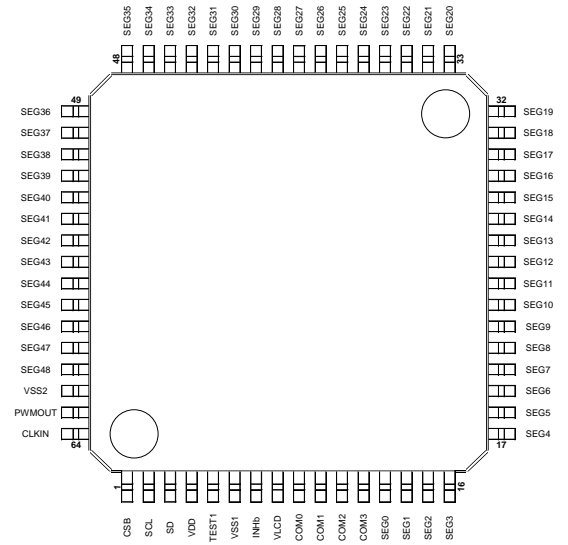


Figure 3. Pin Configuration (TOP VIEW)

Table 1. Pin Description

Terminal	Terminal number	I/O	Unused case	Function
CSB	1	I	-	Chip select: "L" active
SCL	2	I	-	Serial data transfer clock
SD	3	I	-	Input serial data
VDD	4	-	-	Power supply for LOGIC
CLKIN	64	I	OPEN / VSS	External clock input terminal (for display/PWM using selectable) Support Hi-Z input mode at internal clock mode
TEST1	5	I	-	TEST terminal (Please connect VSS terminal)
VSS1	6	-	-	GND
VLCD	8	-	-	Power supply for LCD
INHb	7	I	VDD	Display turning on/off select terminal H: turning on display, L: turning off display INHb = "L": All SEG/COM terminal : output VSS level GPO terminal : output VSS level LED drive terminal : output Hi-Z
PWMOUT	63	O	OPEN	PWM output for LED2 group
COM0 to 3	9 to 12	O	OPEN	COMMON output for LCD
SEG0 to 14	13 to 27	O	OPEN	SEGMENT output for LCD
SEG15 to 45	28 to 58	O	OPEN	SEGMENT output for LCD/GPO
SEG46 to 48	59 to 61	O	OPEN	SEGMENT output for LCD/LED driver
VSS2	62	-	GND	GND (for SEG46-48 / LED driver)

Block Diagram / Pin Arrangement / Pin Description

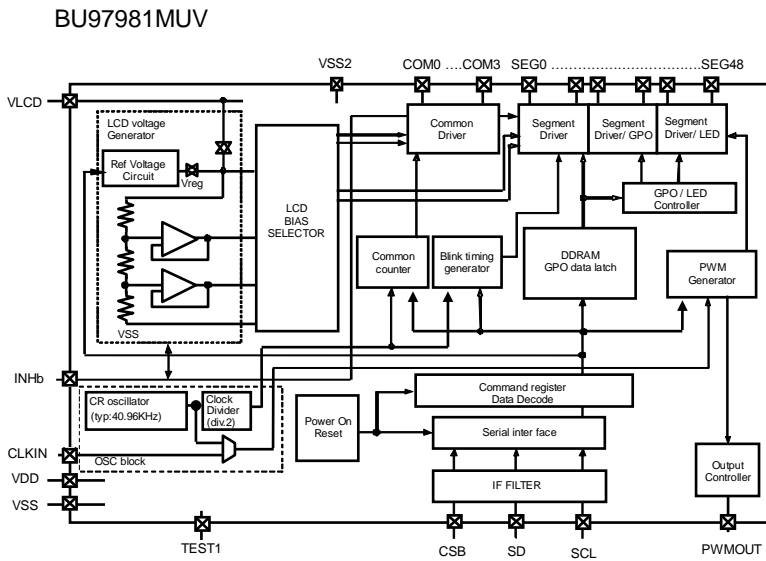


Figure 4. Block Diagram

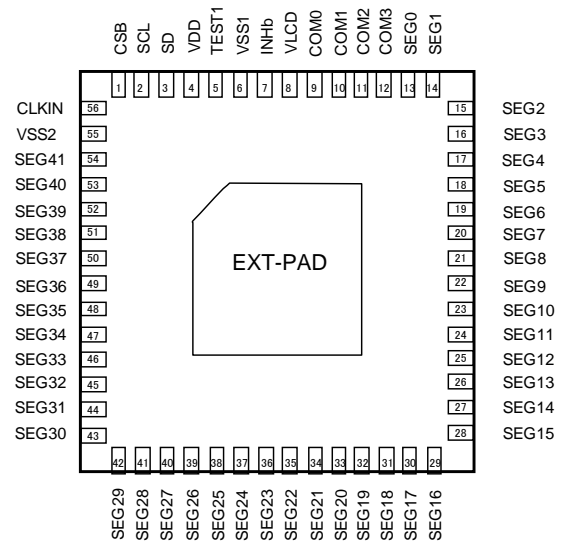


Figure 5. Pin Configuration (BOTTOM VIEW)

Table 2. Pin Description

Terminal	Terminal number	I/O	Unused case	Function
CSB	1	I	-	Chip select: "L" active
SCL	2	I	-	Serial data transfer clock
SD	3	I	-	Input serial data
VDD	4	-	-	Power supply for LOGIC
CLKIN	56	I	OPEN / VSS	External clock input terminal (for display/PWM using selectable) Support Hi-Z input mode at internal clock mode
TEST1	5	I	-	TEST terminal (Please connect VSS terminal)
VSS1	6	-	-	GND
VLCD	8	-	-	Power supply for LCD
INHb	7	I	VDD	Display turning on/off select terminal H: turning on display, L: turning off display INHb = "L": All SEG/COM terminal : output VSS level GPO terminal : output VSS level LED drive terminal : output Hi-Z
COM0~3	9-12	O	OPEN	COMMON output for LCD
SEG0~11	13-24	O	OPEN	SEGMENT output for LCD
SEG12~38	25-51	O	OPEN	SEGMENT output for LCD/GPO
SEG39~41	52-54	O	OPEN	SEGMENT output for LCD/LED driver
VSS2	55	-	GND	GND (for SEG39-41 / LED driver)
EXT-PAD	_(Note1)	-	VSS	substrate

(Note1) To radiate heat, please contact a board with the EXT-PAD which is located at the bottom side of VQFN56AV8080 package.
Please supply VSS level or Open state as the input condition for this PAD.

Block Diagram / Pin Arrangement / Pin Description

BU97981GU

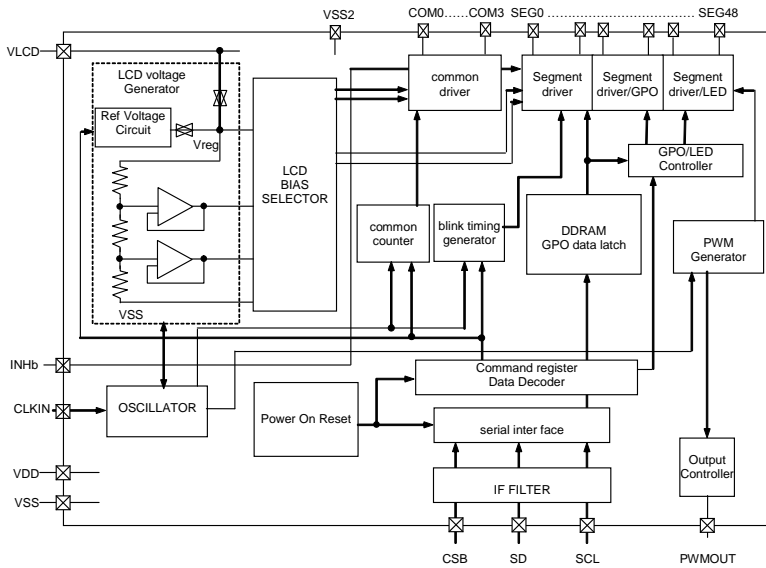


Figure 6. Block Diagram

	1	2	3	4	5	6	7	8
H	SEG4	SEG5	SEG9	SEG11	SEG14	SEG16	SEG18	SEG20
G	SEG2	SEG3	SEG7	SEG8	SEG12	SEG17	SEG19	SEG21
F	SEG0	SEG1	SEG6	SEG10	SEG13	SEG22	SEG23	SEG25
E	COM2	COM0	COM1	COM3	SEG15	SEG26	SEG24	SEG27
D	VLCD	VDD	INHb	SEG47	SEG31	SEG29	SEG28	SEG30
C	VSS1	SDA	SCL	SEG45	SEG42	SEG38	SEG33	SEG32
B	(NC)	CLKIN	VSS2	SEG44	SEG40	SEG39	SEG35	SEG34
A	CSB	PWM OUT	SEG48	SEG46	SEG43	SEG41	SEG37	SEG36

Figure 7. Pin Configuration (TOP VIEW)

Table 3. Pin Description

Terminal	I/O	Unused case	Function
CSB	I	-	Chip select: "L" active
SCL	I	-	Serial data transfer clock
SD	I	-	Input serial data
VDD	-	-	Power supply for LOGIC
CLKIN	I	OPEN / VSS	External clock input terminal (for display/PWM using selectable) Support Hi-Z input mode at internal clock mode
VSS1	-	-	GND
VLCD	-	-	Power supply for LCD
INHb	I	VDD	Display turning on/off select terminal H: turning on display, L: turning off display INHb = "L": All SEG/COM terminal : output VSS level GPO terminal : output VSS level LED drive terminal : output Hi-Z
PWMOUT	O	OPEN	PWM output for LED2 group
COM0 to 3	O	OPEN	COMMON output for LCD
SEG0 to 14	O	OPEN	SEGMENT output for LCD
SEG15 to 45	O	OPEN	SEGMENT output for LCD/GPO
SEG46 to 48	O	OPEN	SEGMENT output for LCD/LED driver
VSS2	-	GND	GND (for SEG46-48 / LED driver)

Absolute Maximum Ratings (VSS=0V)

Parameter	Symbol	Ratings	Unit	Remarks
Power Supply Voltage 1	VDD	-0.3 to +4.5	V	Power supply
Power Supply Voltage 2	VLCD	-0.5 to +7.0	V	Power supply for LCD
Power Dissipation	Pd	1.0 (Note1)	W	BU97981KV
		3.6 (Note2)		BU97981MUV
		0.8 (Note3)		BU97981GU
Input Voltage Range	VIN	-0.5 to VDD+0.5	V	
Operational Temperature Range	Topr	-30 to +75	°C	
Storage Temperature Range	Tstg	-55 to +125	°C	
Output Current	Iout1	5	mA	SEG output
	Iout2	5	mA	COM output
	Iout3	10	mA	GPO output
	Iout4	50	mA	LED output

(Note1) When use more than Ta=25°C, subtract 10mW per degree. (using ROHM standard board)

(board size : 70mmx70mmx1.6mm material: FR4 board copper foil: land pattern only).

(Note2) When use more than Ta=25°C, subtract 36mW per degree. (using ROHM standard board)

(board size : 74.2mmx74.2mmx1.6mm SEMI standard 4 layer board)

(Note3) When operated higher than Ta=25°C, subtract 8.0mW per degree. (using ROHM standard board)

(board size : 114.3mmx76.2mmx1.6mm)

Caution: Operating the IC over the absolute maximum ratings may damage the IC. The damage can either be a short circuit between pins or an open circuit between pins and the internal circuitry. Therefore, it is important to consider circuit protection measures, such as adding a fuse, in case the IC is operated over the absolute maximum ratings.

Recommended Operating Conditions (Ta=-30°C to +75°C, VSS=0V)

Parameter	Symbol	Ratings			Unit	Remarks
		Min	Typ	Max		
Power Supply Voltage 1	VDD	1.8	-	3.6	V	Power supply
Power Supply Voltage 2	VLCD	3.3	-	5.5	V	Power supply for LCD
LED Supply Voltage	VLED	1.0	-	VLCD	V	Power supply for LED
Output Current	Iout4	-	-	20	mA	Per LED port 1ch
	Iout4	-	-	60	mA	Total LED port current

Electrical Characteristics

DC characteristics (Ta=-30°C to +75°C, VDD=1.8V to 3.6V, VLCD=3.3V to 5.5V, VSS=0)
(BU97981KV, BU97981GU)

Parameter	Symbol	Limits			Unit	Conditions
		Min	Typ	Max		
"H" level Input Voltage	VIH	0.8VDD	-	VDD	V	SD, SCL, CSB, TEST1 ^(Note4) , CLKIN, INHb
"L" level Input Voltage	VIL	VSS	-	0.2VDD	V	SD, SCL, CSB, TEST1 ^(Note4) , CLKIN, INHb
Hysteresis Width	VH	-	0.2	-	V	SCL, INHb, VDD=3.3V, Ta=25°C
"H" Level Input Current	I _{IH1}	-	-	5	μA	SD, SCL, CSB, CLKIN, INHb, VI=3.6V
"L" Level Input Current	I _{IL1}	-5	-	-	μA	SD, SCL, CSB, CLKIN, INHb, TEST1 ^(Note4) , VI=0V
"H" Level Output Voltage (Note1&3)	VOH1	VLCD -0.4	-	-	V	I _{load} =-50μA, VLCD=5.0V SEG0 to SEG48, Unused integrated regulator
	VOH2	VLCD -0.4	-	-	V	I _{load} =-50μA, VLCD=5.0V, COM0 to COM3, Unused integrated regulator
	VOH3	VLCD -0.6	-	-	V	I _{load} =-1mA, VLCD=5.0V, SEG15 to SEG45 (GPO mode) Unused integrated regulator
	VOH4	VDD -0.6	-	-	V	I _{load} =-1mA, VDD=3.0V, PWMOUT
"L" Level Output Voltage (Note3)	VOL1	-	-	0.4	V	I _{load} = 50μA, VLCD=5.0V, SEG0 to SEG48
	VOL2	-	-	0.4	V	I _{load} = 50μA, VLCD=5.0V, COM0 to COM3
	VOL3	-	-	0.5	V	I _{load} =1mA, VLCD=5.0V, SEG15 to SEG45 (GPO mode), PWMOUT
	VOL4	-	0.11	0.5	V	I _{load} =20mA, VLCD=5.0V, SEG46 to 48 (LED drive mode)
Current Consumption (Note2)	I _{st} VDD	-	3	10	μA	Input terminal ALL'L, Display off, Oscillation off
	I _{st} VLCD	-	0.5	5	μA	Input terminal ALL'L, Display off, Oscillation off
	I _{VDD1}	-	8	15	μA	VDD=3.3V, Ta=25°C, 1/3bias, f _{FR} =64Hz, PWM generate off, All output pin open
	I _{VDD2}	-	90	130	μA	VDD=3.3V, Ta=25°C, 1/3bias, f _{FR} =64Hz, PWM Frequency=500Hz setting, All output pin open
	I _{VLCD1}	-	10	15	μA	VLCD=5.0V, Ta=25°C, 1/3bias, f _{FR} =64Hz, Unused Integrated regulator, LED generate off, All output pin open
	I _{VLCD2}	-	25	40	μA	VLCD=5.0V, Ta=25°C, 1/3bias, f _{FR} =64Hz, Used Integrated regulator, LED generate off, All output pin open
	I _{VLCD3}	-	30	48	μA	VLCD=5.0V, Ta=25°C, 1/3bias, f _{FR} =64Hz, Used Integrated regulator, PWM Frequency=500Hz setting, All output pin open

(Note1) Integrated regulator using case, please add load regulation value to output voltage listed above.

(Note2) Power save mode 1 and frame inversion setting

(Note3) I_{load}: In case, load current from only one port

(Note4) There is not TEST1 port in BU97981GU

Electrical Characteristics – Continued

DC characteristics (Ta=-30°C to +75°C, VDD=1.8V to 3.6V, VLCD=3.3V to 5.5V, VSS=0)
(BU97981MUV)

Parameter	Symbol	Limits			Unit	Conditions
		Min	Typ	Max		
"H" level Input Voltage	VIH	0.8VDD	-	VDD	V	SD, SCL, CSB, TEST1,CLKIN, INHb
"L" level Input Voltage	VIL	VSS	-	0.2VDD	V	SD, SCL, CSB, TEST1,CLKIN, INHb
Hysteresis Width	VH	-	0.2	-	V	SCL, INHb, VDD=3.3V, Ta=25°C
"H" level Input Current	I IH1	-	-	5	μA	SD, SCL, CSB, CLKIN, INHb, VI=3.6V
"L" level Input Current	I IL1	-5	-	-	μA	SD, SCL, CSB, CLKIN, INHb, TEST1, VI=0V
"H" Level Output Voltage (Note1&3)	VOH1	VLCD -0.4	-	-	V	Iload=-50μA, VLCD=5.0V SEG0 to SEG41, Unused integrated regulator
	VOH2	VLCD -0.4	-	-	V	Iload=-50μA, VLCD=5.0V, COM0 to COM3, Unused integrated regulator
	VOH3	VLCD -0.6	-	-	V	Iload=-1mA, VLCD=5.0V, SEG12 to SEG38 (GPO mode) Unused integrated regulator
"L" Level Output Voltage (Note3)	VOL1	-	-	0.4	V	Iload= 50μA, VLCD=5.0V, SEG0 to SEG41
	VOL2	-	-	0.4	V	Iload= 50μA, VLCD=5.0V, COM0 to COM3
	VOL3	-	-	0.5	V	Iload=1mA, VLCD=5.0V, SEG12 to SEG38 (GPO mode), PWMOUT
	VOL4	-	0.11	0.5	V	Iload=20mA, VLCD=5.0V, SEG39 to SEG41 (LED drive mode)
Current Consumption (Note2)	IstVDD	-	3	10	μA	Input terminal ALL'L', Display off, Oscillation off
	IstVLCD	-	0.5	5	μA	Input terminal ALL'L', Display off, Oscillation off
	IVDD1	-	8	15	μA	VDD=3.3V, Ta=25°C, 1/3bias, fFR=64Hz, PWM generate off, All output pin open
	IVDD2	-	90	130	μA	VDD=3.3V, Ta=25°C, 1/3bias, fFR=64Hz, PWM Frequency=500Hz setting, All output pin open
	IVLCD1	-	10	15	μA	VLCD=5.0V, Ta=25°C, 1/3bias, fFR=64Hz, Unused Integrated regulator, LED generate off, All output pin open
	IVLCD2	-	25	40	μA	VLCD=5.0V, Ta=25°C, 1/3bias, fFR=64Hz, Used Integrated regulator, LED generate off, All output pin open
	IVLCD3	-	30	48	μA	VLCD=5.0V, Ta=25°C, 1/3bias, fFR=64Hz, Used Integrated regulator, PWM Frequency=500Hz setting, All output pin open

(Note1) Integrated regulator using case, please add load regulation value to output voltage listed above.

(Note2) Power save mode 1 and frame inversion setting

(Note3) Iload: In case, load current from only one port

Electrical Characteristics – continued

Integrated Regulator Characteristics (Ta=-30°C to +75°C, VDD=1.8V to 3.6V, VLCD=3.3V to 5.5V, VSS=0)
(BU97981KV)

Parameter	Symbol	Limits			Unit	Conditions
		Min	Typ	Max		
Output Voltage 1	Vreg1	4.35	4.5	4.65	V	4.5V setting (VLCD=5.5V, Ta=-30°C to 75°C) (Note1)
Output Voltage 2	Vreg2	4.42	4.5	4.58	V	4.5V setting (VLCD=5.5V, Ta=25°C) (Note1)
Load Regulation (Note2)	delta Vreg	-	-	0.3	V	Iout = -300μA

(Note1) In case integrated regulator using, please satisfy condition that Vreg output lower than VLCD - 0.5V.

(Note2) Load regulation: Vreg block load regulation only. Do not include other block ability.

(BU97981MUV)

Parameter	Symbol	Limits			Unit	Conditions
		Min	Typ	Max		
Output Voltage 1	Vreg1	4.30	4.5	4.70	V	4.5V setting (VLCD=5.5V, Ta=-30°C to 75°C) (Note1)
Output Voltage 2	Vreg2	4.38	4.5	4.62	V	4.5V setting (VLCD=5.5V, Ta=25°C) (Note1)
Load Regulation (Note2)	delta Vreg	-	-	0.3	V	Iout = -300μA

(Note1) In case integrated regulator using, please satisfy condition that Vreg output lower than VLCD - 0.5V.

(Note2) Load regulation: Vreg block load regulation only. Do not include other block ability.

(BU97981GU)

Parameter	Symbol	Limits			Unit	Conditions
		Min	Typ	Max		
Output Voltage 1	Vreg1	4.25	4.5	4.70	V	4.5V setting (VLCD=5.5V, Ta=-30°C to 75°C) (Note1)
Output Voltage 2	Vreg2	4.40	4.5	4.60	V	4.5V setting (VLCD=5.5V, Ta=25°C) (Note1)
Load Regulation (Note2)	delta Vreg	-	-	0.3	V	Iout = -300μA

(Note1) In case integrated regulator using, please satisfy condition that Vreg output lower than VLCD - 0.5V.

(Note2) Load regulation: Vreg block load regulation only. Do not include other block ability.

Oscillation Frequency Characteristics (Ta=-30°C to +75 °C, VDD=1.8V to 3.6V, VLCD=3.3V to 5.5V, VSS=0)

Parameter	Symbol	Limits			Unit	Conditions
		Min	Typ	Max		
Frame Frequency 1	fFR1	57.6	64	70.4	Hz	VDD=3.3V, Ta=25°C, fFR=64Hz setting
Frame Frequency 2	fFR2	51.2	64	73.0	Hz	VDD=2.5V to 3.6V fFR=64Hz setting
Frame Frequency 3	fFR3	45.0	-	64	Hz	VDD=1.8V to 2.5V fFR=64Hz setting
CLKIN Input Frequency	fCLK	-	2	4	MHz	

About detail function, please refer to the frame frequency setting of DISCTL command.

MPU Interface Characteristics (Ta=-30°C to +75 °C, VDD=1.8V to 3.6V, VLCD=3.3V to 5.5V, VSS=0)

Parameter	Symbol	Limits			Unit	Conditions
		Min	Typ	Max		
Input Rise Time	t_r	-	-	50	ns	
Input Fall Time	t_f	-	-	50	ns	
SCL Cycle Time	t_{SCYC}	250	-	-	ns	
"H" SCL Pulse Width	t_{SHW}	50	-	-	ns	
"L" SCL Pulse Width	t_{SLW}	50	-	-	ns	
SD Setup Time	t_{SDS}	50	-	-	ns	
SD Hold Time	t_{SDH}	50	-	-	ns	
CSB Setup Time	t_{CSS}	50	-	-	ns	
CSB Hold Time	t_{CSH}	50	-	-	ns	
"H" CSB Pulse Width	t_{CHW}	50	-	-	ns	

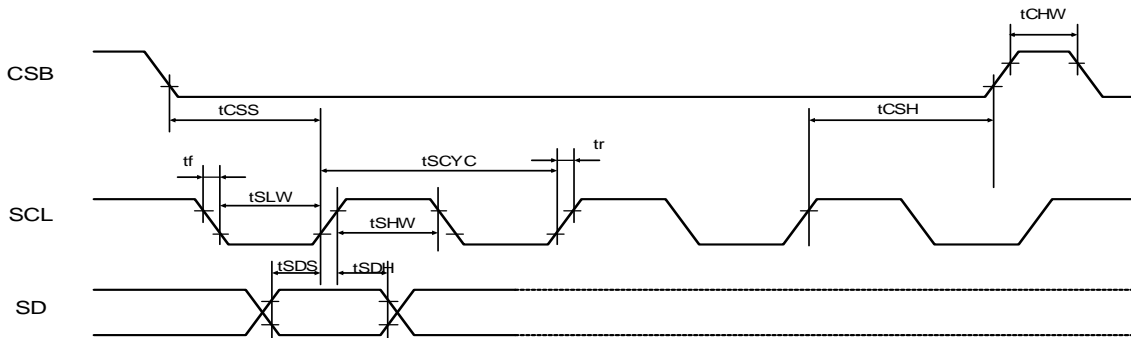


Figure 8. Serial Interface Timing

I/O Equivalence Circuit
(BU97981KV)

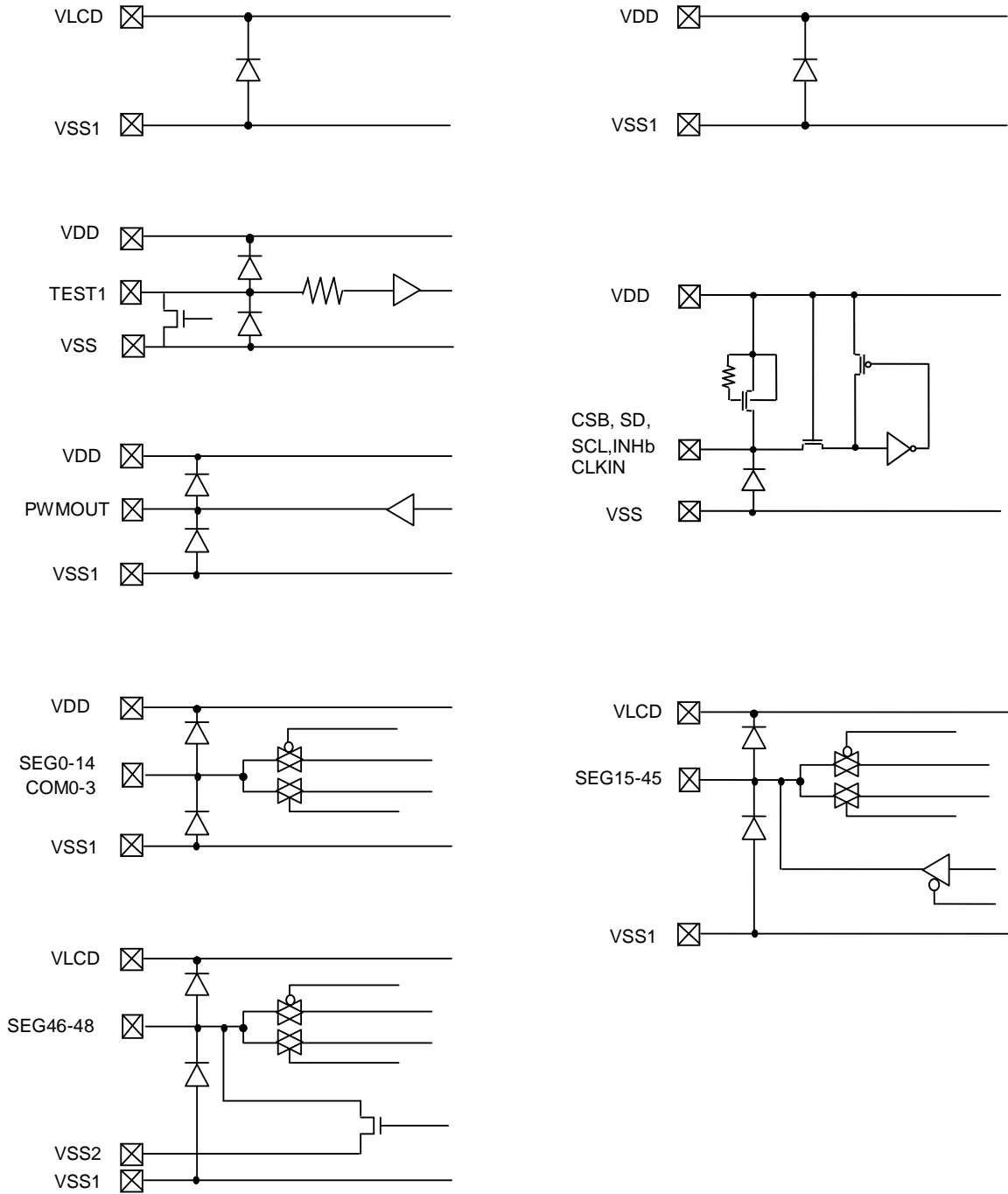


Figure 9. I/O Equivalence Circuit

I/O Equivalence Circuit – Continued
(BU97981MUV)

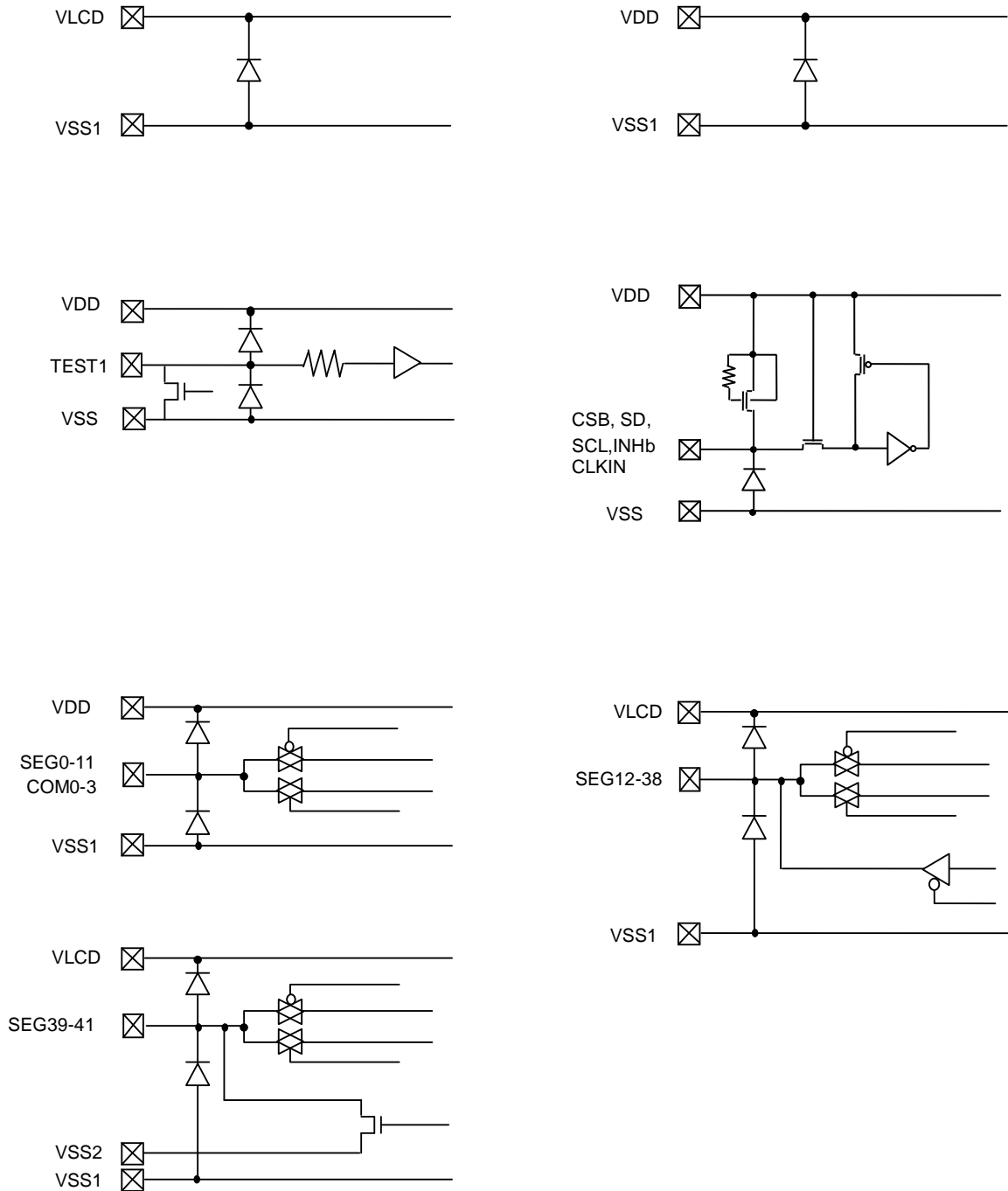


Figure 10. I/O Equivalence Circuit

I/O Equivalence Circuit – Continued
(BU97981GU)

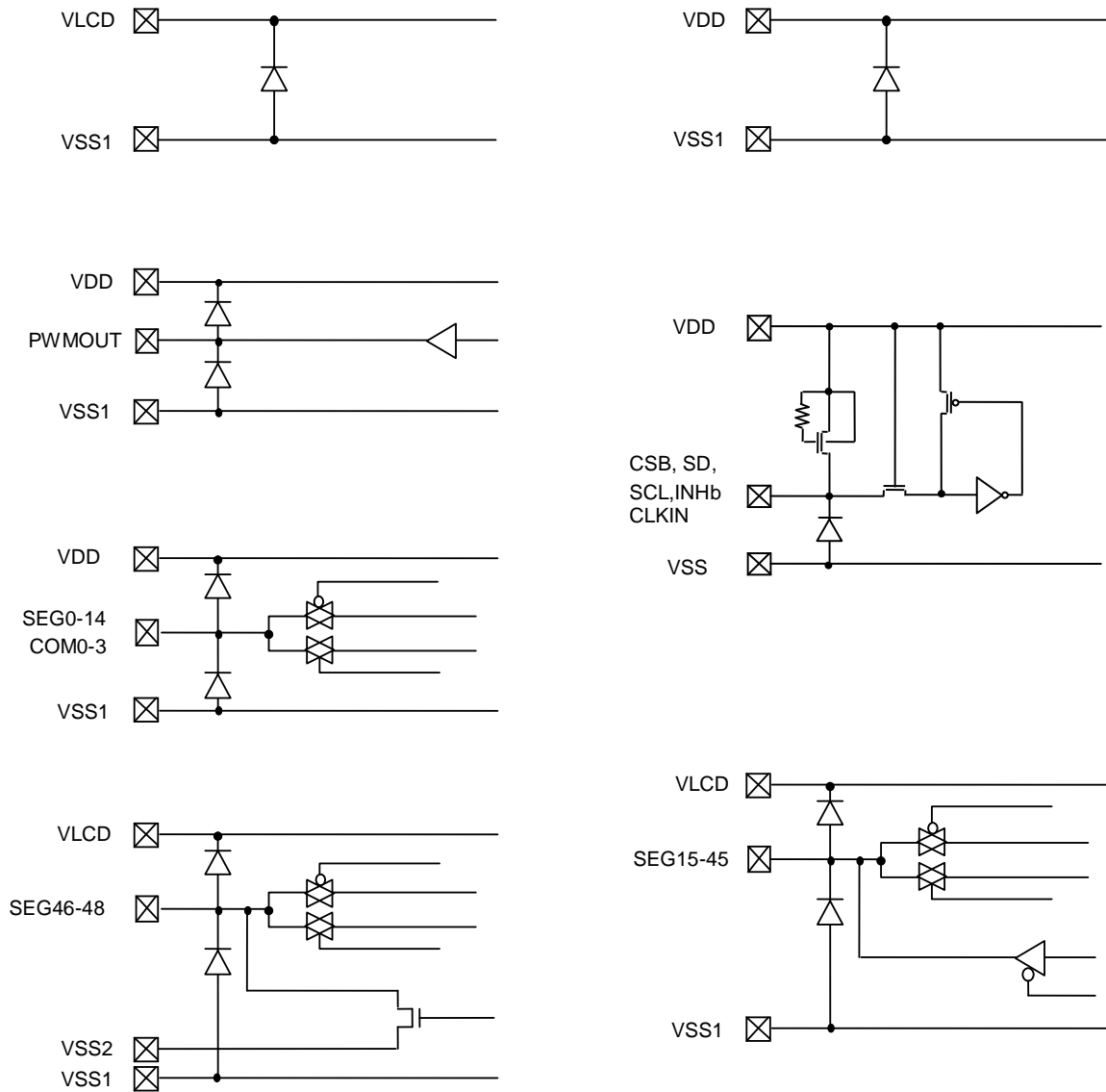


Figure 11. I/O Equivalence Circuit

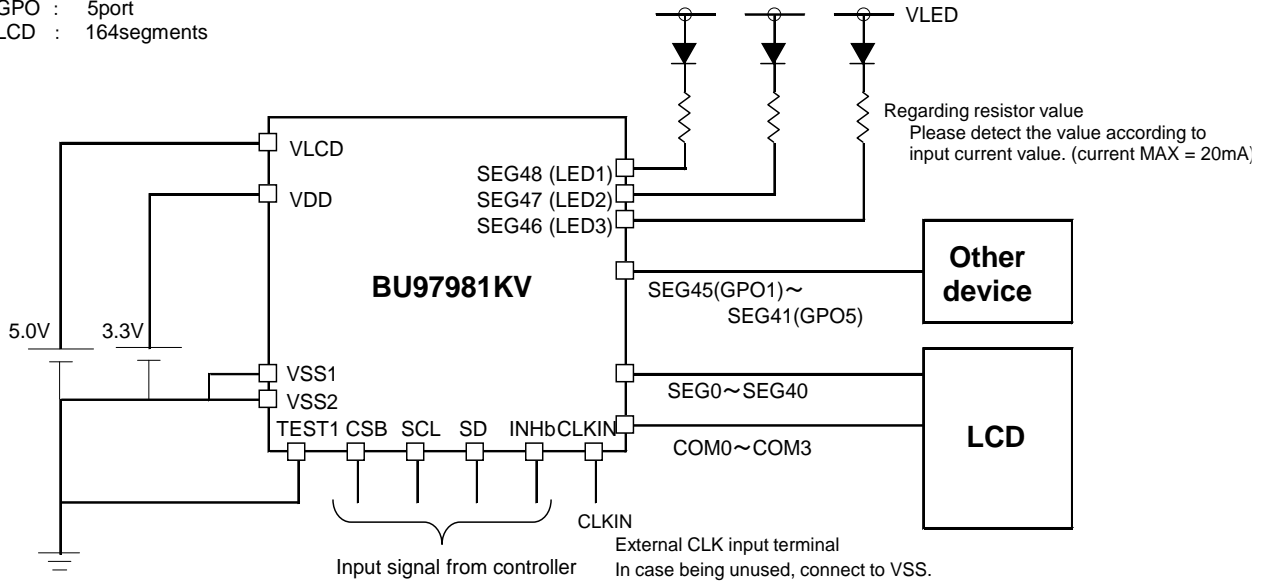
Example of Recommended Circuit

(BU97981KV)

1. LED/GPO Using Case

[LED]&[GPO]

- LED : 3port
- GPO : 5port
- LCD : 164segments



2. SEG Output Only Case

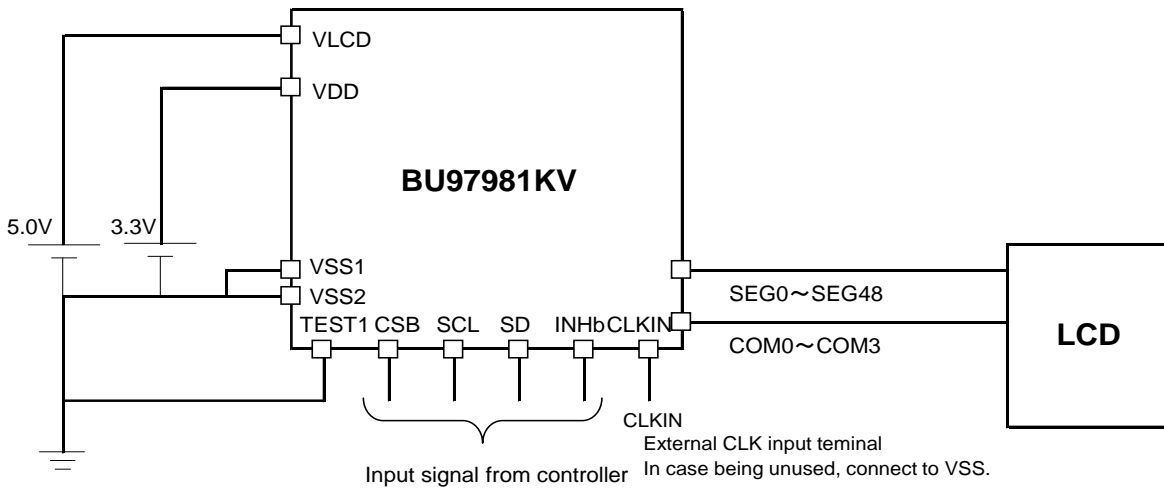


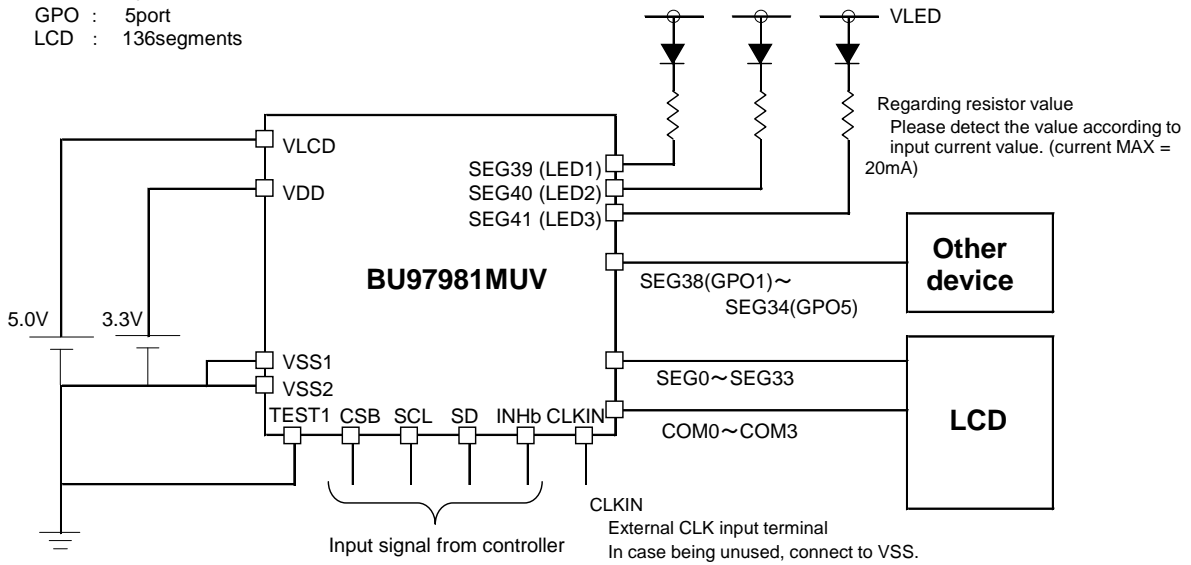
Figure 12. BU97981KV E.g. of Recommended Circuit

Example of Recommended Circuit – Continued

(BU97981MUV)

1. LED/GPO Using Case

LED : 3port
 GPO : 5port
 LCD : 136segments



2. SEG Output Only Case

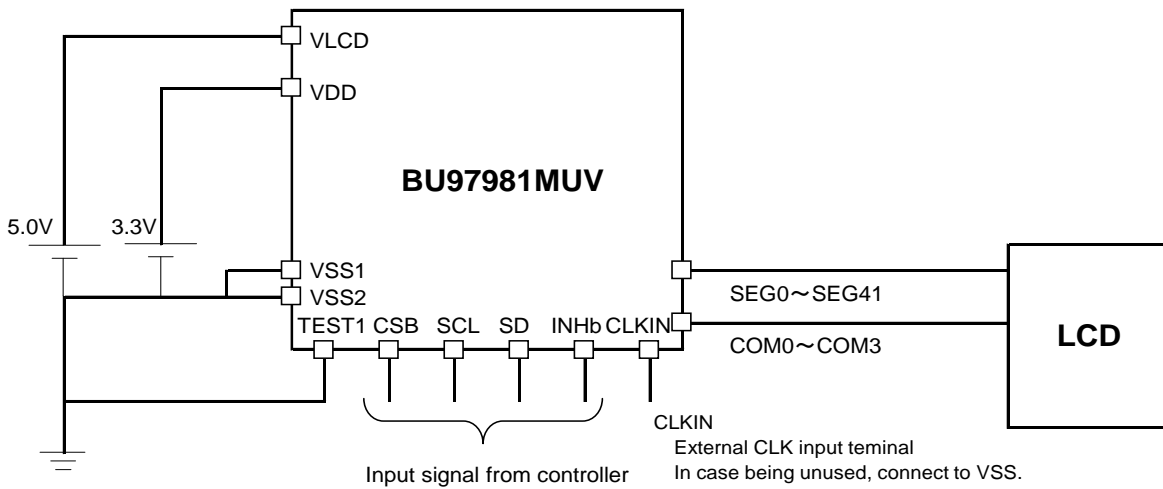


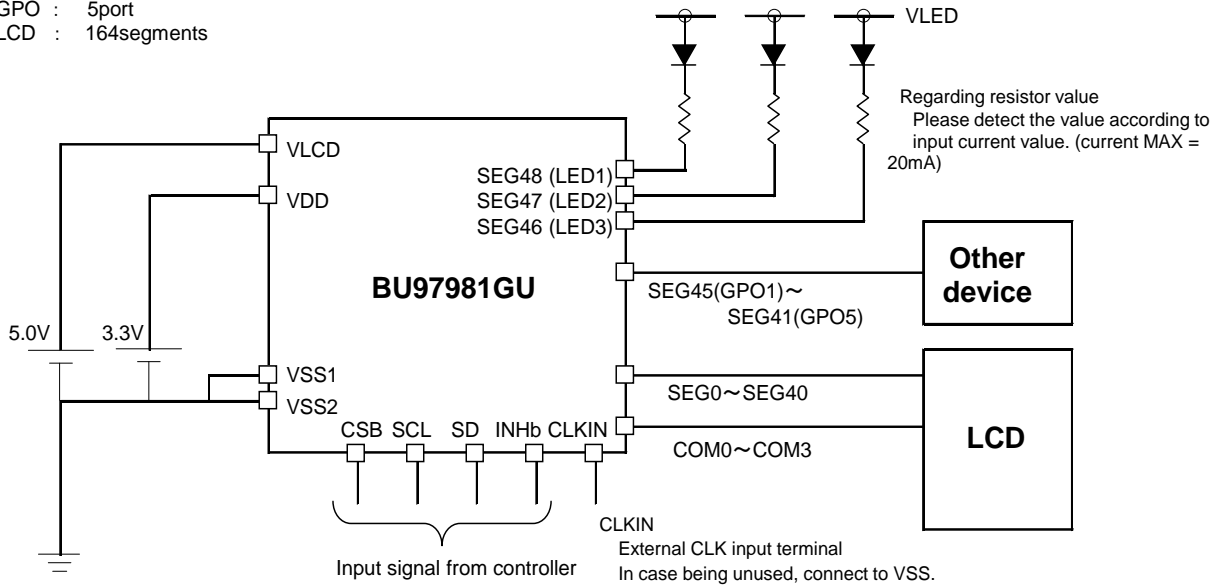
Figure 13. BU97981MUV E.g. of Recommended Circuit

Example of Recommended Circuit – Continued

(BU97981GU)

1. LED/GPO Using Case

LED : 3port
 GPO : 5port
 LCD : 164segments



2. SEG Output Only Case

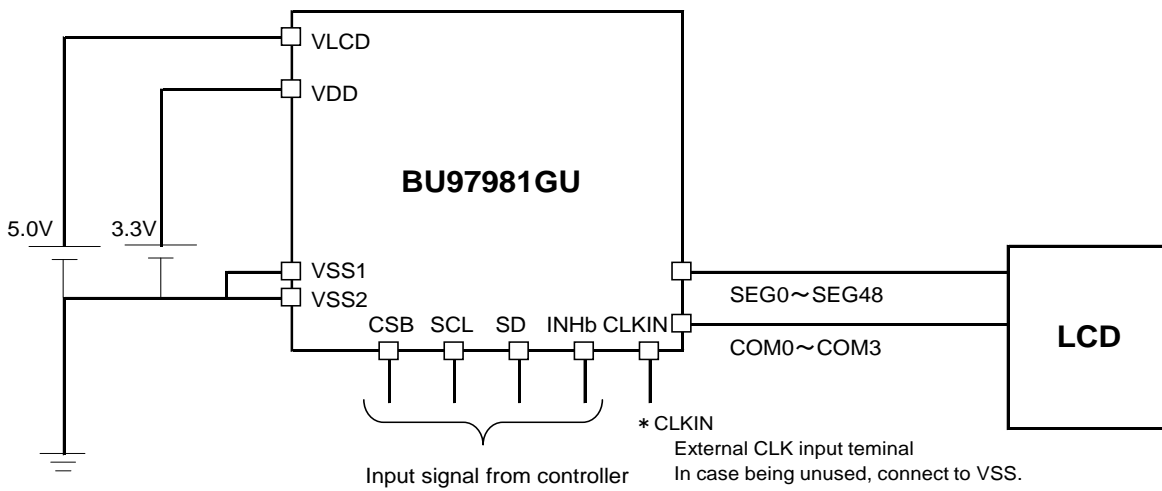


Figure 14. BU97981GU E.g. of Recommended Circuit

Function Descriptions

Command and Data Transfer Method

3-SPI (3 wire serial interface)

This device is controlled by 3-wire signal (CSB, SCL, and SD).

First, Interface counter is initialized with CSB="H",

and CSB="L" makes SD and SCL input enable.

The protocol of 3-SPI transfer is as follows.

Each command starts with Command or Data judgment bit (D/C) as MSB data,

and continuously in order of D6 to D0 are followed after CSB="L".

(Internal data is latched at the rising edge of SCL, it converted to 8bits parallel data at the falling edge of 8th CLK.)

When CSB rise from "L" to "H", and at this time sending commands are less than 8bit, command and data transfer are canceled. To start sending command again, please fall CSB="L" and send command continuously.

After sending RAMWR or BLKWR or GPOSET command, BU97981KV/MUV is in the RAM data input mode. Under this mode, device can not accept new commands.

In this case, please rise CSB="H" and fall CSB="L", after this sequence device released from RAM data input mode, and can accept new command.

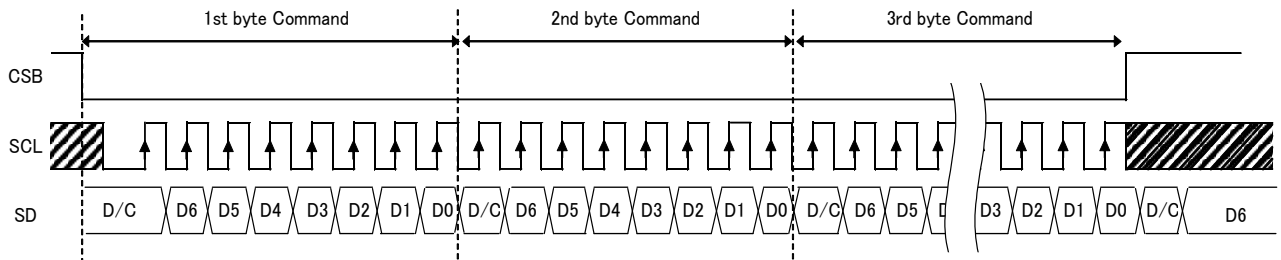


Figure 15. 3-SPI Data Transfer Format

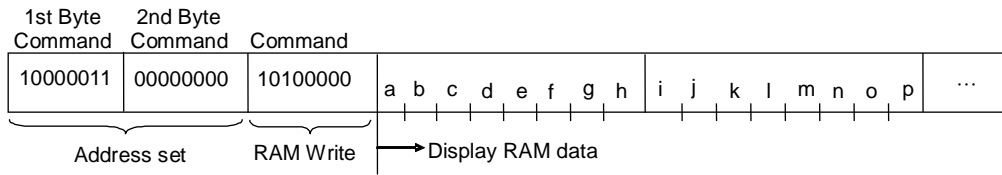
8bit data, sending after RAMWR command, are display RAM data

8bit data, sending after BLKWR command, are blink RAM data

SCL and SD can be set to "H" or cleared to "L" during CSB="H"

Write Display Data and Transfer Method

This device has Display Data RAM (DDRAM) of 49x4=196bit.
 The relationship between data input and display data, DDRAM data and address are as follows.



According to this command, 8bit binary data will write to DDRAM. The address which starts data writing is specified by "ADSET" command, and increment after finish writing display data every 4 bit.

It is able to write to DDRAM by continuously sending data.
 (In case data is sent continuously after write date at 30h (KV: SEG48), RAM data will be written to 31h (dummy address) and return to address 00h (SEG0) automatically.)

In case, SEG port assigned to GPO or LED port by OUTSET1 command, corresponding SEG address do not change and used as dummy address.

(BU97981KV, BU97981GU)

		DDRAM address													
		00	01	02	03	04	05	06	07	...	2Fh	30h	31h		
BIT	0	a	e	i	m								DUMMY ADDRESS	COM0	
	1	b	f	j	n									COM1	
	2	c	g	k	o									COM2	
	3	d	h	l	p									COM3	
		SEG 0	SEG 1	SEG 2	SEG 3	SEG 4	SEG 5	SEG 6	SEG 7	...	SEG 47	SEG 48			

(BU97981MUV)

		DDRAM address										Dummy data			
		00	01	02	03	04	...	29	2A	...	2Fh	30h	31h		
BIT	0	a	e	i	m				DUMMY ADDRESS					COM0	
	1	b	f	j	n									COM1	
	2	c	g	k	o									COM2	
	3	d	h	l	p									COM3	
		SEG 0	SEG 1	SEG 2	SEG 3	SEG 4	...	SEG 41							

Display data write to DDRAM every 4bits.
 In case CSB change from "L" to "H" before 4bits data transfer finish, RAM write is canceled.

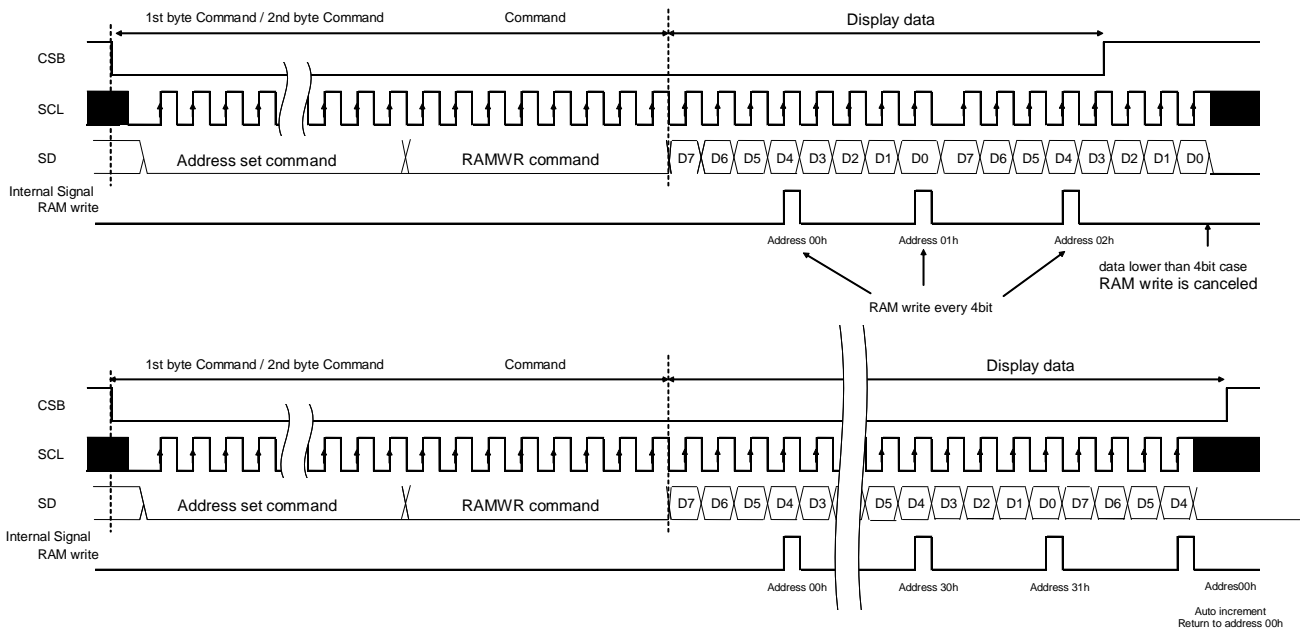


Figure 16. Display Data Transfer Method

Blink Function

This device has Blink function. Blink function is able to set each segment port individually.

Blink ON/OFF and Blink frequency are set by the BLKSET command.

Blink frequency varies, according to fCLK characteristics.

Blink setup of each segments are controlled by BLKWRR command.

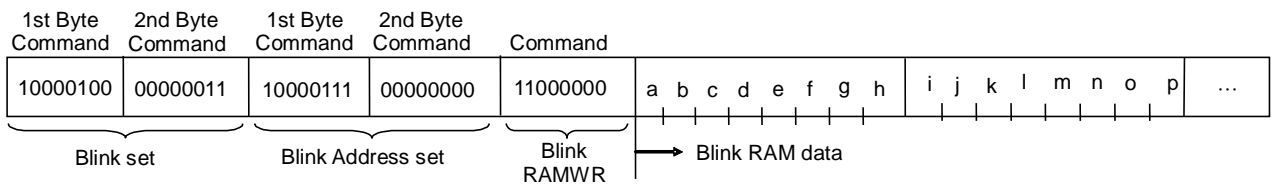
The write start address is specified by “BLKADSET” command. And this address will increment after finish writing blink data every 4 bit. The relation of BLKWRR command, blink ram data, and blinking segment port is below.

In case of data is “1”, segment will blink, on the other hand data is “0”, do not blink.

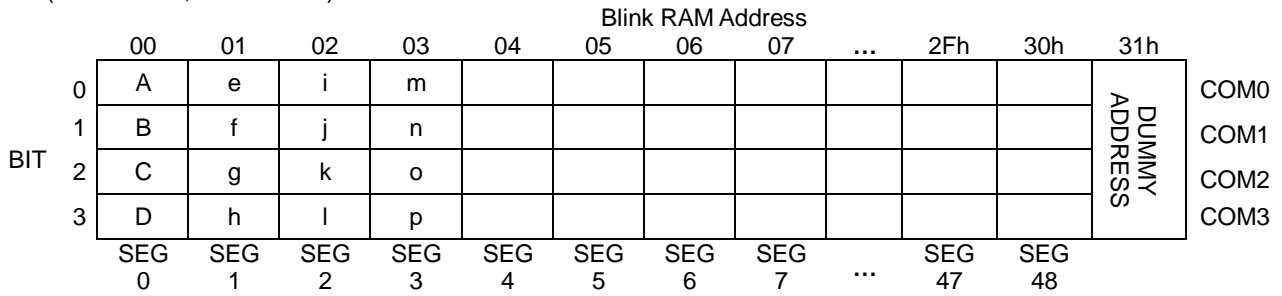
(In case data is written continuously, after write date at 30h (KV: SEG48), ram data will be written to 31h (dummy address) and return to address 00h (SEG0) automatically.)

Please refer to following figure about Blink operation of each segment.

In case, SEG port assigned to GPO or LED port by OUTSET1 command, corresponding SEG address do not change and used as dummy address.



(BU97981KV,BU97981GU)



(BU97981MUV)

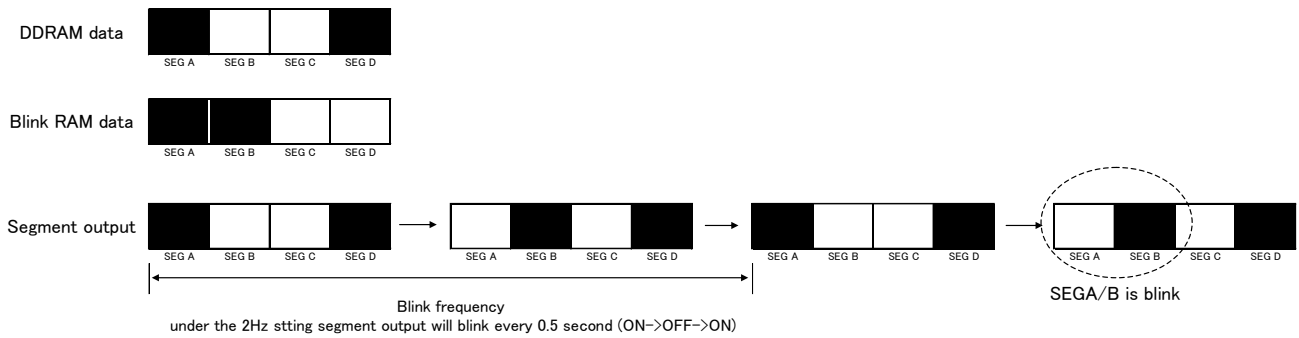
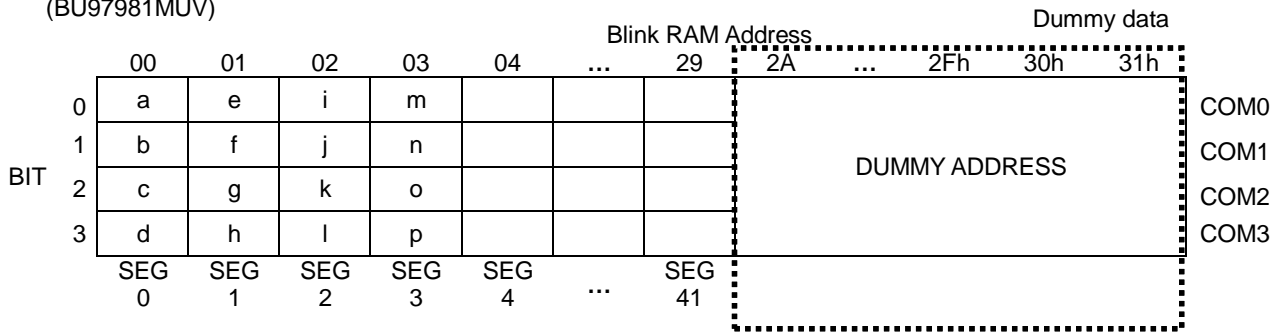


Figure 17. Blink Operation

LCD Driver Bias/Duty Circuit

This LSI generates LCD driving voltage with on-chip Buffer AMP.

And it can drive LCD at low power consumption

Line and frame inversion can be set in MODESET command.

1/4duty, 1/3duty and static mode can be set DISCTL command.

About each LCD driving waveform, please refer to "LCD driving waveform" descriptions.

Initial state

Initial state, after Software Reset command input

1. Display off
2. All command register value set Reset state.
3. DDRAM address data and Blink address data are initializing
(DDRAM data and Blink RAM data are not initializing.

Please write DDRAM data and Blink RAM data before Display on.)

Command / Function list

Function Description Table

NO	Command	Function
1	Mode Set (MODESET)	Set LCD drive mode (display on/off, current mode)
2	Display control (DISCTL)	Set LCD drive mode (frame freq., line/frame inversion)
3	Address set (ADSET)	Set display data RAM address for RAMWR command
4	Blink set (BLKSET)	Set Blink mode on/off
5	Blink address set (BLKADSET)	Set Blink data RAM address for BLKWR command
6	SEG/GPO port change (OUTSET1)	Select segment output/general purpose output (GPO)
7	SEG/LED port change (OUTSET2)	Select segment output/LED driving output
8	LED1 drive control (PWM1SET) (H piece adjustment of PWM1)	Set PWM1 signal "H" width for LED1 driving
9	LED2-3 drive control (PWM2SET) (H piece adjustment of PWM2)	Set PWM2 signal "H" width for LED2-3 driving
10	Display data RAM WRITE (RAMWR)	Write display data to display data RAM
11	Blink RAM WRITE (BLKWR)	Write Blink data to BLINK data RAM
12	All Pixel ON (APON)	Set all Pixel display on
13	All Pixel OFF (APOFF)	Set all Pixel display off
14	All Pixel On/Off mode off (NORON)	Set normal display mode (APON/APOFF cancel)
15	Software Reset (SWRST)	Software Reset
16	OSC external input (OSCSET)	Set External clock input
17	Integrated Regulator setup (REGSET)	Set integrated regulator voltage output
18	GPO output set (GPOSET)	Set GPO output data

Command Detail Descriptions

D/C, Data / Command judgment bit (MSB)
Detail, please refer to 3wire serial I/F

Mode Set (MODESET)

	MSB							LSB			Reset
	D/C	D6	D5	D4	D3	D2	D1	D0	Hex		
1 st byte command	1	0	0	0	0	0	0	1	81h	-	
2 nd byte command	0	0	0	0	P3	P2	P1	P0	-	00h	

Display Set

Condition	P3	Reset state
Display OFF	0	○
Display ON	1	

Display OFF : No LCD driving mode (Output: VSS Level)

Turn off OSC circuit and LCD power supply circuit. (Synchronized with frame freq)

Display ON : LCD driving mode

Turn on OSC circuit and LCD power supply circuit.

Read data from DDRAM and display to LCD.

LED port and GPO port output state are not influenced by a Display on/off state

Output state is decided by command setup (GPOSET, OUTSET1, OUTSET2, PWM1SET, PWM2SET) and INHb terminal state. About detail, please refer to each command description.

LCD drive mode set

Condition	P2	Reset state
Frame inversion	0	○
Line inversion	1	

Current mode set

Condition	P1	P0	Reset state
Power save mode1	0	0	○
Power save mode2	0	1	
Normal mode	1	0	
High power mode	1	1	

(Reference data of consumption current)

Condition	Current consumption
Power save mode 1	×1.0
Power save mode 2	×1.7
Normal mode	×2.7
High power mode	×5.0

The value changes according to the panel load.

Display Control (DISCTL)

	MSB					LSB				Hex	Reset
	D/C	D6	D5	D4	D3	D2	D1	D0			
1 st byte Command	1	0	0	0	0	0	1	0	82h	-	
2 nd byte Command	0	0	0	0	P3	P2	P1	P0	-	02h	

Duty Set

Condition	P3	P2	Reset state
1/4duty (1/3bias)	0	0	○
1/3duty (1/3bias)	0	1	
Static (1/1bias)	1	*	

*: Don't care

In 1/3duty, Display data and Blink data of COM3 is ineffective. COM1 and COM3 output are same data.

Please be careful of transmission of display data and blink data.

The examples of SEG/COM output waveform, under the each Bias/Duty set up, are shown at "LCD Driver Bias/Duty Circuit" description.

Frame Frequency Set

Condition (1/4, 1/3, 1/1duty)	P1	P0	Reset state
(128Hz, 130Hz, 128Hz)	0	0	
(85Hz, 86hz, 64Hz)	0	1	
(64Hz, 65Hz, 48Hz)	1	0	○
(51Hz, 52Hz, 32Hz)	1	1	

Relation table, between Frame frequencies (FR), integrated oscillator circuit (OSC) and Divide number.

DISCTL (P1,P0)	Divide			FR [Hz] ^(Note1)		
	Duty set (P3,P2)			Duty set (P3,P2)		
	(0,0) 1/4duty	(0,1) 1/3duty	(1,*) 1/1duty	(0,0) 1/4duty	(0,1) 1/3duty	(1,*) 1/1duty
(0,0)	160	156	160	128	131.3	128
(0,1)	240	237	320	85.3	86.4	64
(1,0)	320	315	428	64	65	47.9
(1,1)	400	393	640	51.2	52.1	32

(Note1) FR is frame frequency, in case OSC frequency = 20.48KHz (typ).

The Formula, to calculate OSC frequency from Frame frequency is below.

" OSC frequency = Frame frequency (measurement value) x Divide number "

Divide number : Please decide by using the value of Frame Frequency Set (P1,P0) and duty setting (P3,P2).

Ex) (P1,P0) = (0,1) , (P3,P2) = (0,1) => Divide number= 237

Address Set (ADSET)

	MSB							LSB			
	D/C	D6	D5	D4	D3	D2	D1	D0	Hex	Reset	
1 st byte Command	1	0	0	0	0	0	1	1	83h	-	
2 nd byte Command	0	0	P5	P4	P3	P2	P1	P0	-	00h	

Set start address to write DDRAM data.

The address can be set from 00h to 30h. (Address 31h is used at dummy address)

Do not set other address. (Except 00h to 31h address is not acceptable.)

In case, write data to DDRAM, please send RAMWR command certainly.

Blink Set (BLKSET)

	MSB							LSB			
	D/C	D6	D5	D4	D3	D2	D1	D0	Hex	Reset	
1 st byte Command	1	0	0	0	0	1	0	0	84h	-	
2 nd byte Command	0	0	0	0	0	P2	P1	P0	-	00h	

Set Blink ON/OFF.

About detail, please refer to a "Blink function".

Blink set

Blink mode(Hz)	P2	P1	P0	Reset state
OFF	0	0 / *	0 / *	○
1.6	1	0	0	
2.0	1	0	1	
2.6	1	1	0	
4.0	1	1	1	

*: Don't care

Blink Address Set (BLKADSET)

	MSB							LSB			
	D/C	D6	D5	D4	D3	D2	D1	D0	Hex	Reset	
1 st byte Command	1	0	0	0	0	1	1	1	87h	-	
2 nd byte Command	0	0	P5	P4	P3	P2	P1	P0	-	00h	

Set Blink data RAM start address to write.

The address can be set from 00h to 30h. (Address 31h is used at dummy address)

Do not set other address. (Except 00h-31h address is not acceptable.)

In case, write data to Blink RAM, please send BLKWR command certainly.

SEG/GPO Port Change (OUTSET1)

	MSB							LSB			
	D/C	D6	D5	D4	D3	D2	D1	D0	Hex	Reset	
1 st byte Command	1	0	0	0	1	0	0	0	88h	-	
2 nd byte Command	0	0	0	P4	P3	P2	P1	P0	-	00h	

Set output mode, Segment output or GPO output.
 P4 to P0: Select changing port number. (SEG15 to SEG45 ports are SEG mode/GPO mode selectable)

In case, GPO output is selected, Terminal output data is set by GPOSET command.

Ex) In case SEG45 port assigned to GPO,
 If GPO1 data is "H", GPO1 (SEG45) port outputs "H" (VLCD Level).
 If GPO1 data is "L", GPO1 (SEG45) port outputs "L" (VSS level).

Output terminal state under the P2 to P0 set condition is listed below

(BU97981KV ,BU97981GU)

Condition					SEG Terminal state (SEG output/GPO output)								
P4	P3	P2	P1	P0	SEG15 Terminal	SEG16 Terminal	SEG17 Terminal	SEG18 Terminal		SEG42 Terminal	SEG43 Terminal	SEG44 Terminal	SEG45 Terminal
0	0	0	0	0	SEG15	SEG16	SEG17	SEG18		SEG42	SEG43	SEG44	SEG45
0	0	0	0	1	SEG15	SEG16	SEG17	SEG18		SEG42	SEG43	SEG44	GPO1
0	0	0	1	0	SEG15	SEG16	SEG17	SEG18		SEG42	SEG43	GPO2	GPO1
0	0	0	1	1	SEG15	SEG16	SEG17	SEG18		SEG42	GPO3	GPO2	GPO1
0	0	1	0	0	SEG15	SEG16	SEG17	SEG18		GPO4	GPO3	GPO2	GPO1
⋮					⋮								
1	1	0	1	1	SEG15	SEG16	SEG17	SEG18		GPO4	GPO3	GPO2	GPO1
1	1	1	0	0	SEG15	SEG16	SEG17	GPO28		GPO4	GPO3	GPO2	GPO1
1	1	1	0	1	SEG15	SEG16	GPO29	GPO28		GPO4	GPO3	GPO2	GPO1
1	1	1	1	0	SEG15	GPO30	GPO29	GPO28		GPO4	GPO3	GPO2	GPO1
1	1	1	1	1	GPO31	GPO30	GPO29	GPO28		GPO4	GPO3	GPO2	GPO1

(BU97981MUV)

Condition					SEG Terminal state (SEG output/GPO output)								
P4	P3	P2	P1	P0	SEG12 Terminal	SEG13 Terminal	SEG14 Terminal	SEG15 Terminal		SEG35 Terminal	SEG36 Terminal	SEG37 Terminal	SEG38 Terminal
0	0	0	0	0	SEG12	SEG13	SEG14	SEG15		SEG35	SEG36	SEG37	SEG38
0	0	0	0	1	SEG12	SEG13	SEG14	SEG15		SEG35	SEG36	SEG37	GPO1
0	0	0	1	0	SEG12	SEG13	SEG14	SEG15		SEG35	SEG36	GPO2	GPO1
0	0	0	1	1	SEG12	SEG13	SEG14	SEG15		SEG35	GPO3	GPO2	GPO1
0	0	1	0	0	SEG12	SEG13	SEG14	SEG15		GPO4	GPO3	GPO2	GPO1
⋮					⋮								
1	0	1	1	1	SEG12	SEG13	SEG14	SEG15		GPO4	GPO3	GPO2	GPO1
1	1	0	0	0	SEG12	SEG13	SEG14	GPO24		GPO4	GPO3	GPO2	GPO1
1	1	0	0	1	SEG12	SEG13	GPO25	GPO24		GPO4	GPO3	GPO2	GPO1
1	1	0	1	0	SEG12	GPO26	GPO25	GPO24		GPO4	GPO3	GPO2	GPO1
1	1	0	1	1	GPO27	GPO26	GPO25	GPO24		GPO4	GPO3	GPO2	GPO1
11100 – 11111					GPO27	GPO26	GPO25	GPO24		GPO4	GPO3	GPO2	GPO1

In case, the SEG port is switched to the GPO port, DDRAM address and Blink RAM address do not change.
 In this case, DDRAM address and Blink RAM address, selected GPO output mode, is dummy address.

Change Command of a SEG/LED port (OUTSET2)

	MSB					LSB				Hex	Reset
	D/C	D6	D5	D4	D3	D2	D1	D0			
1 st byte Command	1	0	0	0	1	0	0	1	89h	-	
2 nd byte Command	0	0	0	0	0	P2	P1	P0	-	00h	

This command affects segment port/LED port selection and PWM resolution set up.

P2: Resolution setting

Setting	P2	Reset condition
12bit resolution mode	0	○
8bit resolution mode	1	

P1 to P0: select SEG driving mode or LED driving mode, this command affect at SEG46 to SEG48 port. The effective address is 00h to 03h. In case LED driving mode is selected, output turns into “NMOS Open Drain” from segment output.

The state of the output terminal in case P1 to P0 are setup is shown below (BU97981KV, BU97981GU)

Setting		SEG Terminal state (SEG output/LED output)		
P1	P0	SEG46 Terminal	SEG47 Terminal	SEG48 Terminal
0	0	SEG46	SEG47	SEG48
0	1	SEG46	SEG47	LED1
1	0	SEG46	LED2	LED1
1	1	LED3	LED2	LED1

(BU97981MUV)

Setting		SEG Terminal state (SEG output/LED output)		
P1	P0	SEG39 Terminal	SEG40 Terminal	SEG41 Terminal
0	0	SEG39	SEG40	SEG41
0	1	SEG39	SEG40	LED1
1	0	SEG39	LED2	LED1
1	1	LED3	LED2	LED1

In this case, DDRAM address and a Blink RAM address of SEG port that set up to LED port, do not change. The address assigned to LED port is used as dummy address respectively.

The output state of GPO, LED, and PWMOUT port under the INHb H/L, display on/off, and RESET state are listed below.

Control port	INHb		DISPLAY		RESET state
	H	L	ON	OFF	
GPO	According to GPOSET command	Low Fix	According to GPOSET command	According to GPOSET command	GPO unselected (All SEG output)
PWMOUT	According to PWM2SET command	Low Fix	According to PWM2SET command	According to PWM2SET command	Low Fix
LED	According to PWM1/PWM2SET command	Hi-Z	According to PWM1/PWM2SET command	According to PWM1/PWM2SET command	LED unselected (All SEG output)

LED1 Drive-Control (PWM1 “H” width control) Command (PWM1SET)

	MSB						LSB			Hex	Reset
	D/C	D6	D5	D4	D3	D2	D1	D0			
1 st byte Command	1	0	0	0	1	0	1	0	8Ah	-	
2 nd byte Command	0	0	P11	P10	P9	P8	P7	P6	-	00h	
3 rd byte Command	0	0	P5	P4	P3	P2	P1	P0	-	00h	

2nd and 3rd byte command data are able to set from 00h to 3Fh (described as 8bit binary data).
 In case, other value selected, sending command is ignored, and 2nd and 3rd byte command data set 3Fh.
 In reset state, 2nd and 3rd byte command data set 00h.
 In case, the command less than 3 byte, sending command are canceled.

According to PWM1SET command, LED1 driving signal is adjustable. PWM “H” width is adjustable by 12bit/8bit resolution.

Explanation about P11 to P6 data of 2nd byte command and P5 to P0 data of 3rd byte command as follows
 (The 2nd byte data are used as upper 6bit, and 3rd byte data are used as lower 6 bits.)

- 12bit mode : P11 data is used as MSB of 12 bits, and P0 data is used as LSB.
- 8bit mode : P11 to P8 are used as invalid bit.
 P7 data is used as MSB of 8 bits, and P0 data is used LSB.

LED driving period is decided by the “H” width of PWM signal, generated by PWM generator circuit.
 (resolution: 8bit/12bit selectable)

Ex.1

In case of external PWM clock 2MHz, parameter setting value is 2047 (P11 to P0 data: 7FFh)
 1bit resolution: 500ns
 ALL HI setting: PWM signal frequency about 500Hz, H width about 2.00msec
 ALL Low setting: PWM signal frequency about 500Hz, H width 0us (In case of 12bit)

Ex.2

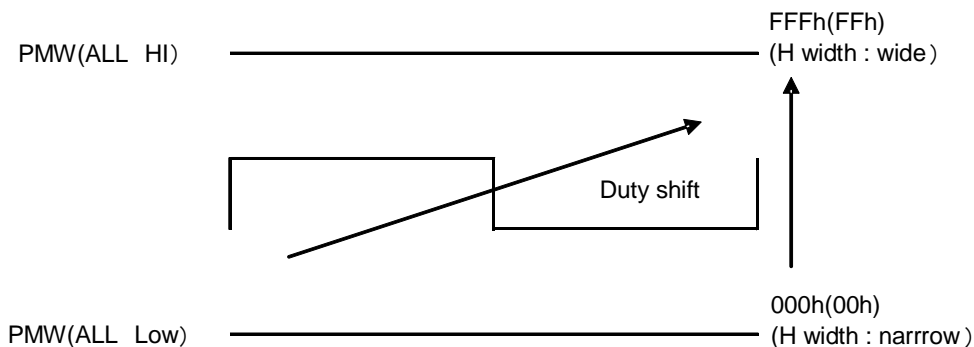
In case of internal PWM clock 40.96KHz(TYP), parameter 127 (P11 to P0 data: 7Fh)
 1bit resolution: 24.41us
 ALL HI setting: PWM signal frequency about 160Hz, H width about 6.20msec
 ALL Low setting: PWM signal frequency about 160Hz, H width 0us (In case of 8bit)

BU97981 series PWM frequency is twice faster than BU9798 series in case of internal OSC clock use.
 This command is reflected, synchronizing with a next PWM frame head.

And, LED port output is as follows

- INHb=“H” : LED port output LED driving signal.
- INHb=“L” : LED port output Hi-Z.

LED port operation does not affect Display ON/OFF state.



About the PWM frequency and PWM “H” width calculation

PWM cycle and PWM “H” width, decided by PWM clock cycle is described as follows.
 (PWM clock cycle is a minimum unit of PWM “H” width)

$$\begin{aligned} \text{PWM frequency} &= \text{PWM clock cycle} \times (\text{Number of the steps}(12\text{bit} = 4096, 8\text{bit} = 256) - 1) \\ \text{PWM H width} &= \text{PWM clock cycle} \times \text{Parameter set value}(12\text{bit}: 0 \text{ to } 4095, 8\text{bit}: 0 \text{ to } 255) \\ \text{PWM Duty} &= \text{PWM H width} / \text{PWM cycle} = \text{Parameter set value} / \text{Number of the steps} \end{aligned}$$

In case, PWM is generated from internal clock, the PWM cycle varies, according to OSC frequency.

LED2 to 3 Drive-Control (PWM2 “H” width control) Command (PWM2SET)

	MSB						LSB			Hex	Reset
	D/C	D6	D5	D4	D3	D2	D1	D0			
1 st byte Command	1	0	0	0	1	0	1	1	8Bh	-	
2 nd byte Command	0	0	P11	P10	P9	P8	P7	P6	-	00h	
3 rd byte Command	0	0	P5	P4	P3	P2	P1	P0	-	00h	

P7 to P0 data are able to set from 00h to 3Fh (described as 8bit binary data).
 In case, other value selected, sending command is ignored, and P7 to P0 data set 3Fh.
 In reset state, P7 to P0 data is 00h.
 In case, the command less than 3 byte, sending command are canceled.

According to PWM2SET command, LED2 driving signal, LED3 driving signal, and PWMOUT output “H” width are adjustable. PWM “H” width is adjustable by 12bit/8bit resolution.

Explanation about P11 to P6 data of 2nd byte command and P5 to P0 data of 3rd byte command as follows (The 2nd byte data are used as upper 6bit, and 3rd byte data are used as lower 6 bits.)

12bit mode : P11 data is used as MSB of 12 bits, and P0 data is used as LSB.
 8bit mode : P11 to P8 are used as invalid bit.
 P7 data is used as MSB of 8 bits, and P0 data is used LSB.

LED driving period is decided by the “H” width of PWM signal, generated by PWM generator circuit. (resolution : 8bit/12bit selectable)

Ex.1

In case of external PWM clock 2MHz, parameter setting value is 2047 (P11 to P0 data: 7FFh)
 1bit resolution: 500ns
 ALL HI setting: PWM signal frequency about 500Hz, H width about 2.00msec
 ALL Low setting: PWM signal frequency about 500Hz, H width 0us (In case of 12bit)

Ex.2

In case of internal PWM clock 40.96KHz(TYP), parameter 127 (P11 to P0 data: 7Fh)
 1bit resolution: 24.41us
 ALL HI setting: PWM signal frequency about 160Hz, H width about 6.20msec
 ALL Low setting: PWM signal frequency about 160Hz, H width 0us (In case of 8bit)

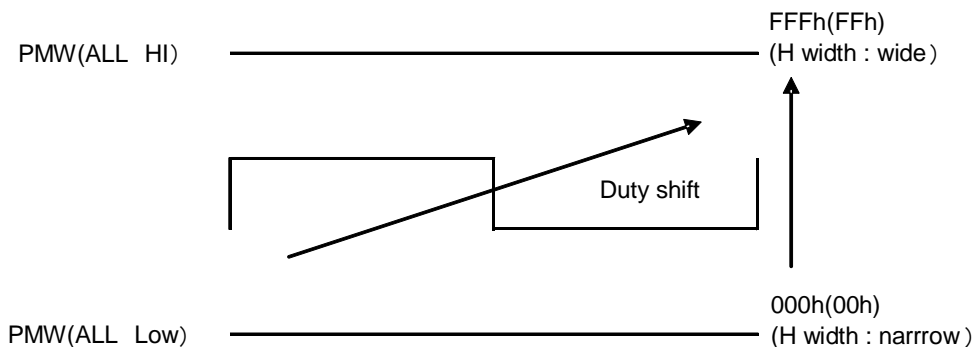
BU97981 PWM frequency is twice faster than BU9798 in case of internal OSC clock use.
 This command is reflected, synchronizing with a next PWM frame head.

And, LED port output is as follows

INHb=“H” : LED port output LED driving signal, PWMOUT port output PWM signal.

INHb=“L” : LED port output Hi-Z, PWMOUT port output “L”

LED port and PWMOUT port operation do not affect Display ON/OFF state.



About the PWM frequency and PWM “H” width calculation
 PWM cycle and PWM “H” width, decided by PWM clock cycle is described as follows.
 (PWM clock cycle is a minimum unit of PWM “H” width)

$$\text{PWM frequency} = \text{PWM clock cycle} \times (\text{Number of the steps (12bit} = 4096, \text{8bit} = 256) - 1)$$

$$\text{PWM H width} = \text{PWM clock cycle} \times \text{Parameter set value (12bit: 0 to 4095, 8bit: 0 to 255)}$$

$$\text{PWM Duty} = \text{PWM H width} / \text{PWM cycle} = \text{Parameter set value} / \text{Number of the steps}$$

In case, PWM is generated from internal clock, the PWM cycle varies, according to OSC frequency.

RAM WRITE (RAMWR)

	MSB							LSB			Reset
	D/C	D6	D5	D4	D3	D2	D1	D0	Hex		
1 st byte Command	1	0	1	0	0	0	0	0	A0h	-	
2 nd byte Command	Display data									Random	
										
N byte Command	Display data									Random	

Input data, sending after 1st byte command, are used as Display data. And display data are sent every 4bits. Please set this command after the ADSET command.

Blink RAM WRITE (BLKWR)

	MSB							LSB			Reset
	D/C	D6	D5	D4	D3	D2	D1	D0	Hex		
1 st byte Command	1	1	0	0	0	0	0	0	C0h	-	
2 nd byte Command	Blink data									Random	
										
N byte Command	Blink data									Random	

Input data, sending after 1st byte command, are used as Display data. And display data are sent every 4bits. Please set this command after the BLKADSET command.

All Pixel ON (APON)

	MSB							LSB			Reset
	D/C	D6	D5	D4	D3	D2	D1	D0	Hex		
1 st byte Command	1	0	0	1	0	0	0	1	91h	-	

After sending the command, all SEG output set display on state regardless of the DDRAM data.
(This command affect to the SEG output terminal only (except GPO and LED output))

All Pixel OFF (APOFF)

	MSB							LSB			Reset
	D/C	D6	D5	D4	D3	D2	D1	D0	Hex		
1 st byte Command	1	0	0	1	0	0	0	0	90h	-	

After sending the command, all SEG output set display off state regardless of the DDRAM data.
(This command affect to the SEG output terminal only (except GPO and LED output))

All Pixel ON/OFF mode off (NORON)

	MSB							LSB			Reset
	D/C	D6	D5	D4	D3	D2	D1	D0	Hex		
1 st byte Command	1	0	0	1	0	0	1	1	93h	-	

After sending the command, all SEG output released from APON/APOFF state.
And SEG port output signal according to DDRAM data.
(This command affect to the SEG output terminal only (except GPO and LED output))
After reset sequence or SWRST, all output set NORON state.

Software Reset (SWRST)

	MSB							LSB			Reset
	D/C	D6	D5	D4	D3	D2	D1	D0	Hex		
1 st byte Command	1	0	0	1	0	0	1	0	92h	-	

After sending the command, device set the reset state.

OSC External Input Command (OSCSET)

	MSB							LSB		Hex	Reset
	D/C	D6	D5	D4	D3	D2	D1	D0			
1 st byte Command	1	0	0	1	1	0	0	0	98h	-	
2 nd byte Command	0	0	0	0	0	P2	P1	P0	-	00h	

According to the command, 4 type of clock mode selectable include external clock input mode.
Detail of this command function as follows.

Condition	P2	P1	P0	Reset state
Internal CLK (PWM generation OFF)	0	0	0	○
External CLK input for PWM (PWM generation OFF)	0	0	1	
Internal CLK (PWM generation ON)	0	1	0	
External CLK input for PWM (PWM generation ON)	0	1	1	
External CLK input for Display (ROHM use only)	1	*	*	

*: Don't care

- (P2,P1,P0)=(0,0,1) : External PWM input mode
CLKIN : external PWM input available.
PWMOUT: "L" Output
*under the (P2,P1,P0)=(0,0,0) condition PWMOUT into same state
- (P2,P1,P0)=(0,1,0) : PWM is made from integrated oscillation frequency
PWM width is set up by PWM1SET and PWM2SET command.
PWM waveform output from PWMOUT is set up by PWM2SET command.
- (P2,P1,P0)=(0,1,1) : PWM is made from External CLK input from CLKIN
PWM width is set up by PWM1SET and PWM2SET command.
PWM waveform output from PWMOUT is set up by PWM2SET command.

The relation of OSC function control by each command is as follows

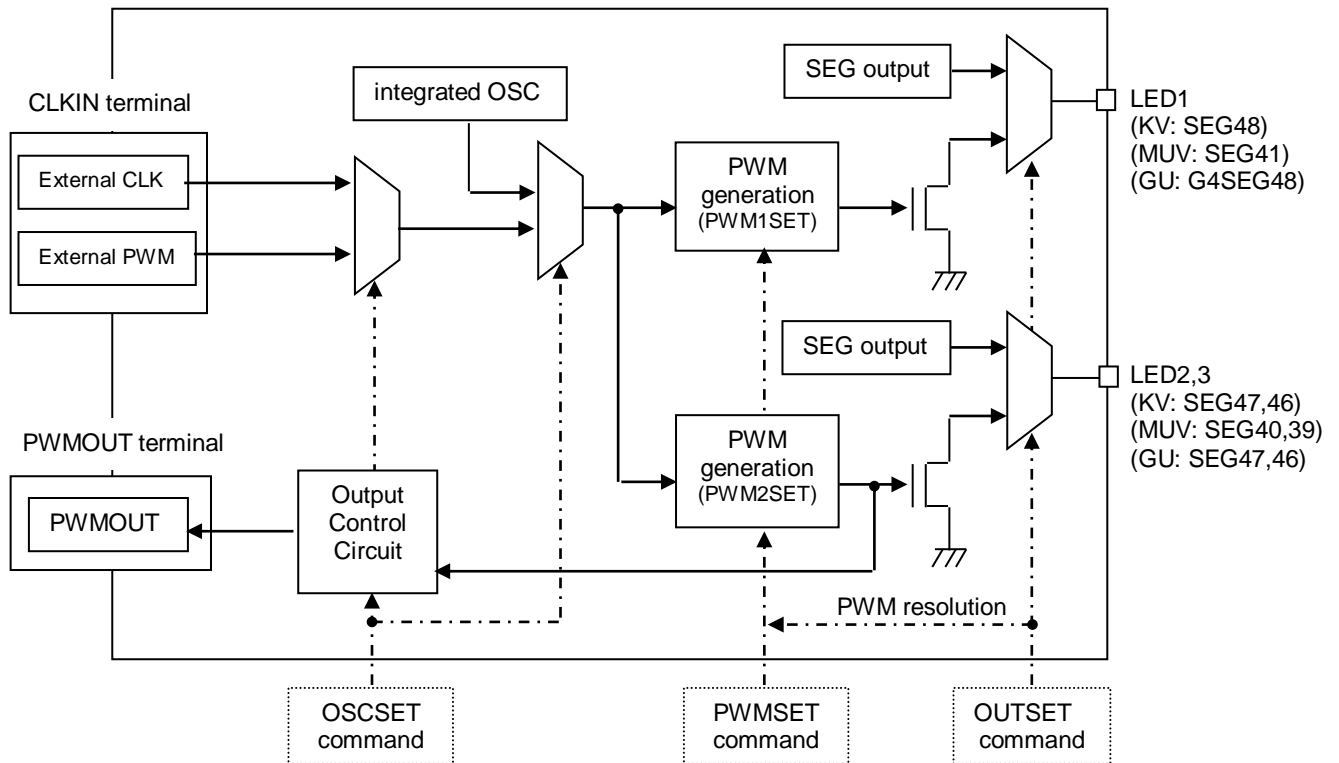


Figure 18. OSC External Input

Integrated Regulator Setting (REGSET)

	MSB							LSB			Hex	Reset
	D/C	D6	D5	D4	D3	D2	D1	D0				
1 st byte Command	1	0	0	1	1	0	0	1	99h	-		
2 nd byte Command	0	0	0	0	0	P2	P1	P0	-	00h		

Set integrated regulator output voltage (Vreg).

Integrated regulator is turned ON/OFF according to DISPON/OFF state that controlled by MODESET command.

Setting	P2	P1	P0	Reset state
OFF (VLCD voltage)	0	0	0	○
5.0V	0	0	1	
4.6V	0	1	0	
4.5V	0	1	1	
4.4V	1	0	0	
3.4V	1	0	1	
3.3V	1	1	0	
3.2V	1	1	1	

Please satisfy condition that REG voltage \leq VLCD-0.5V.

GPO Output Set Command (GPOSET)

	MSB							LSB		Hex	Reset
	D/C	D6	D5	D4	D3	D2	D1	D0			
1 st byte Command	1	0	0	1	1	0	1	0	9Ah	-	
2 nd byte Command	GPO output data: P7 to P0								-	00h	
3 rd byte Command	GPO output data: P15 to P8								-	00h	
4 th byte Command	GPO output data: P23 to 16								-	00h	
5 th byte Command	*	GPO output data: P30 to 24							-	00h	

*: Don't care

Set GPO output data.

The relation between SEG port (GPO port) and data is below.

(BU97981KV, BU97981GU)

GPOSET data	GPO port	SEG port	GPOSET data	GPO port	SEG port	GPOSET data	GPO port	SEG port
P0	GPO1	SEG45	P10	GPO11	SEG35	P20	GPO21	SEG25
P1	GPO2	SEG44	P11	GPO12	SEG34	P21	GPO22	SEG24
P2	GPO3	SEG43	P12	GPO13	SEG33	P22	GPO23	SEG23
P3	GPO4	SEG42	P13	GPO14	SEG32	P23	GPO24	SEG22
P4	GPO5	SEG41	P14	GPO15	SEG31	P24	GPO25	SEG21
P5	GPO6	SEG40	P15	GPO16	SEG30	P25	GPO26	SEG20
P6	GPO7	SEG39	P16	GPO17	SEG29	P26	GPO27	SEG19
P7	GPO8	SEG38	P17	GPO18	SEG28	P27	GPO28	SEG18
P8	GPO9	SEG37	P18	GPO19	SEG27	P28	GPO29	SEG17
P9	GPO10	SEG36	P19	GPO20	SEG26	P29	GPO30	SEG16
						P30	GPO31	SEG15

(BU97981MUV)

GPOSET data	GPO port	SEG port	GPOSET data	GPO port	SEG port	GPOSET data	GPO port	SEG port
P0	GPO1	SEG38	P10	GPO11	SEG28	P20	GPO21	SEG18
P1	GPO2	SEG37	P11	GPO12	SEG27	P21	GPO22	SEG17
P2	GPO3	SEG36	P12	GPO13	SEG26	P22	GPO23	SEG16
P3	GPO4	SEG35	P13	GPO14	SEG25	P23	GPO24	SEG15
P4	GPO5	SEG34	P14	GPO15	SEG24	P24	GPO25	SEG14
P5	GPO6	SEG33	P15	GPO16	SEG23	P25	GPO26	SEG13
P6	GPO7	SEG32	P16	GPO17	SEG22	P26	GPO27	SEG12
P7	GPO8	SEG31	P17	GPO18	SEG21	P27	-	-
P8	GPO9	SEG30	P18	GPO19	SEG20	P28	-	-
P9	GPO10	SEG29	P19	GPO20	SEG19	P29	-	-
						P30	-	-

GPO data is transmitted for every 1byte, and GPO data output is asynchronous from frame cycle.

In case INHb="H", GPO output signal according to GPOSET data, on the other hand, in case INHb="L" GPO output GND level. GPO output does not influence by Display ON/OFF state.

LCD Driving Waveform

1/4Duty

Line inversion

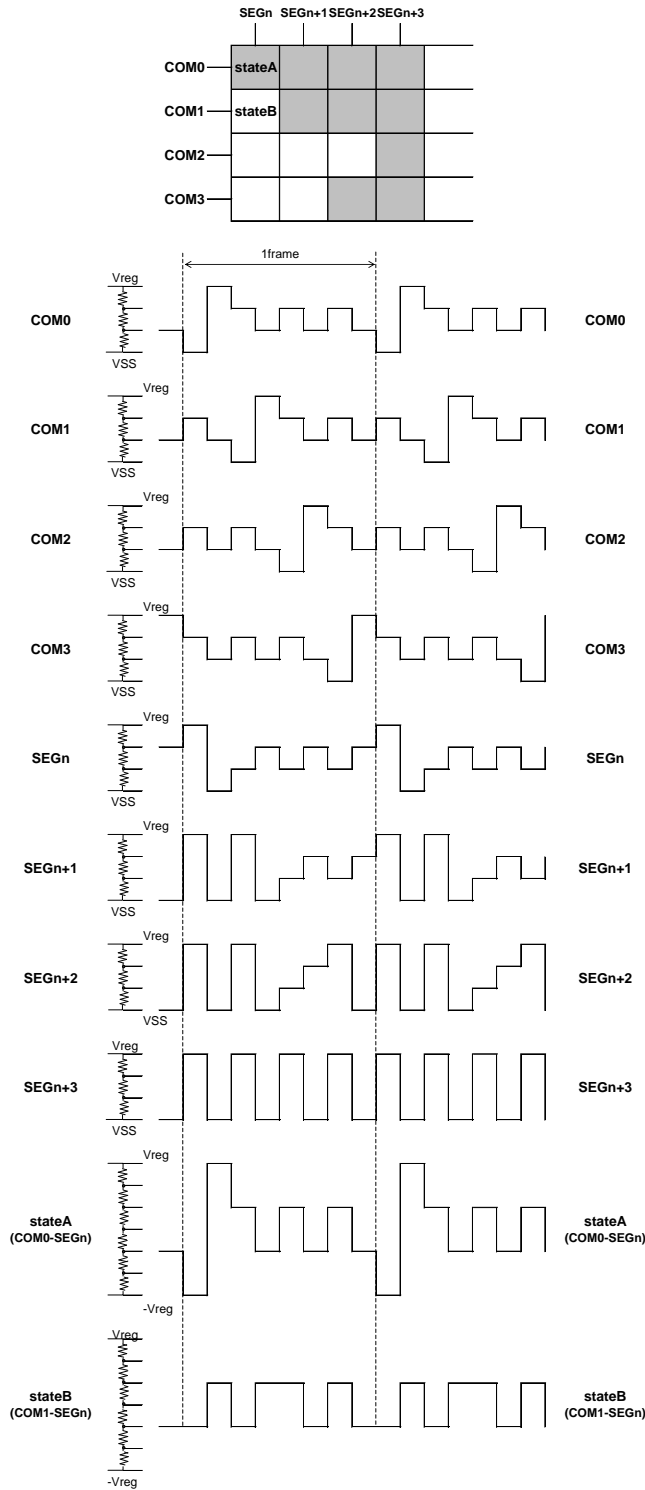


Figure 19. Waveform of Line Inversion

Frame inversion

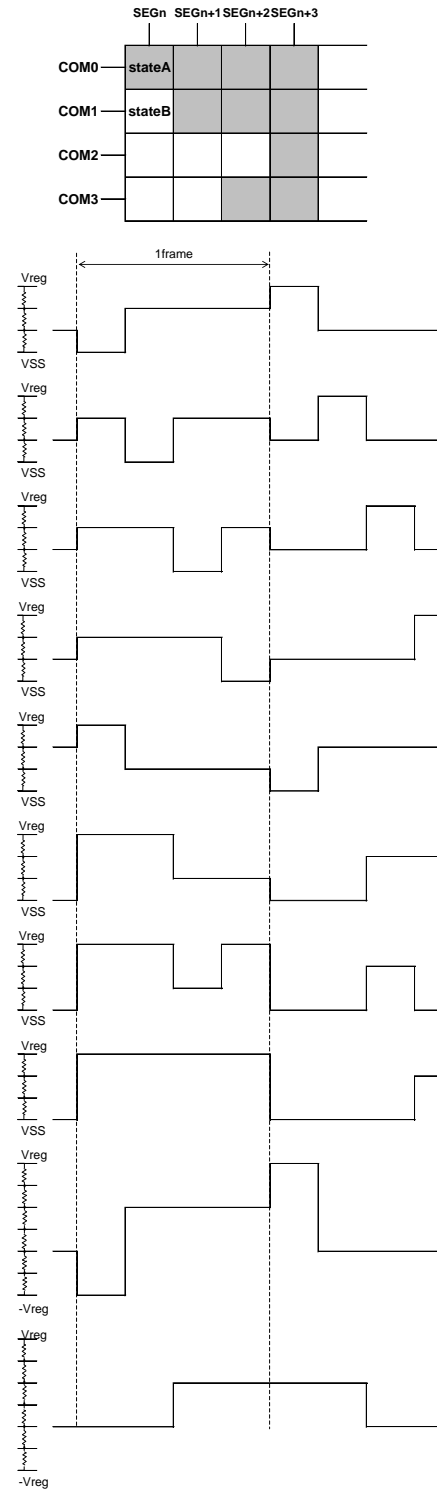


Figure 20. Waveform of Frame Inversion

1/3Duty

Line inversion

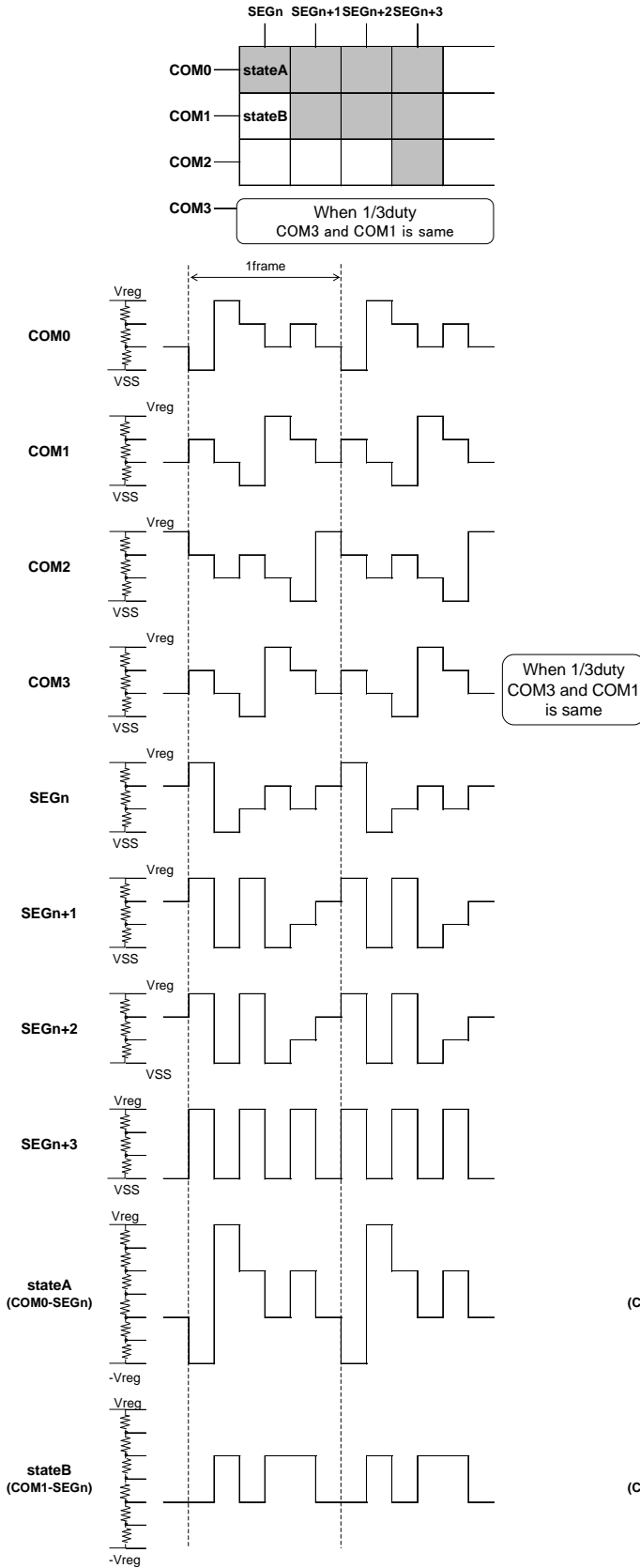


Figure 21. Waveform of Line Inversion

Frame inversion

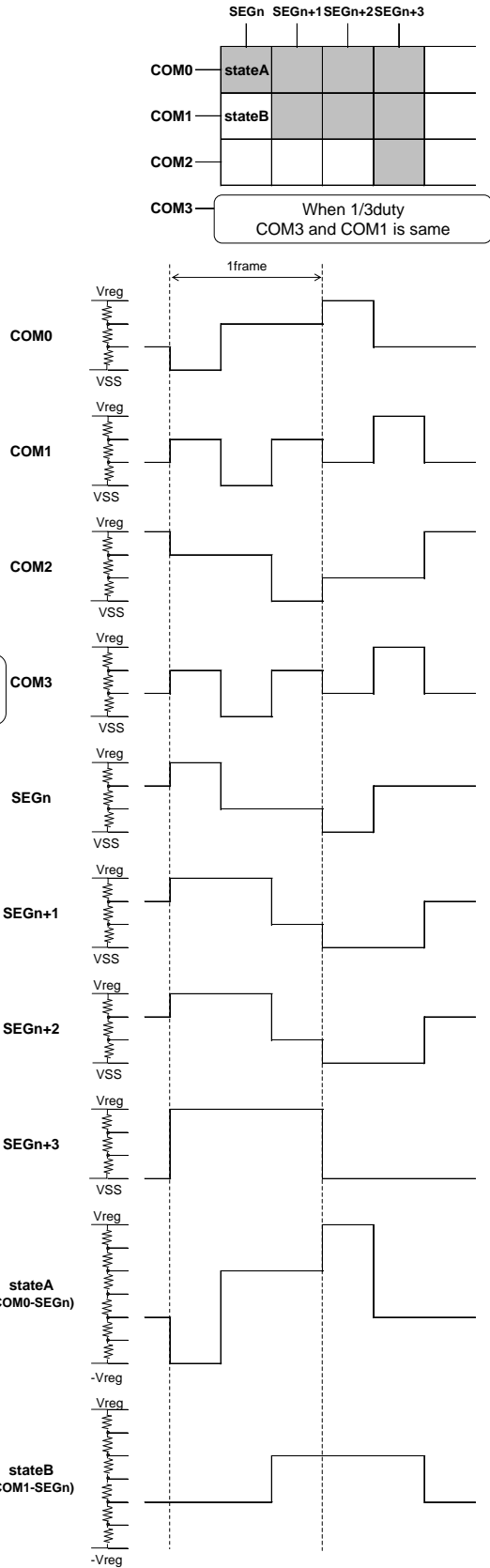


Figure 22. Waveform of Frame Inversion

1/1Duty (Static)

Line inversion

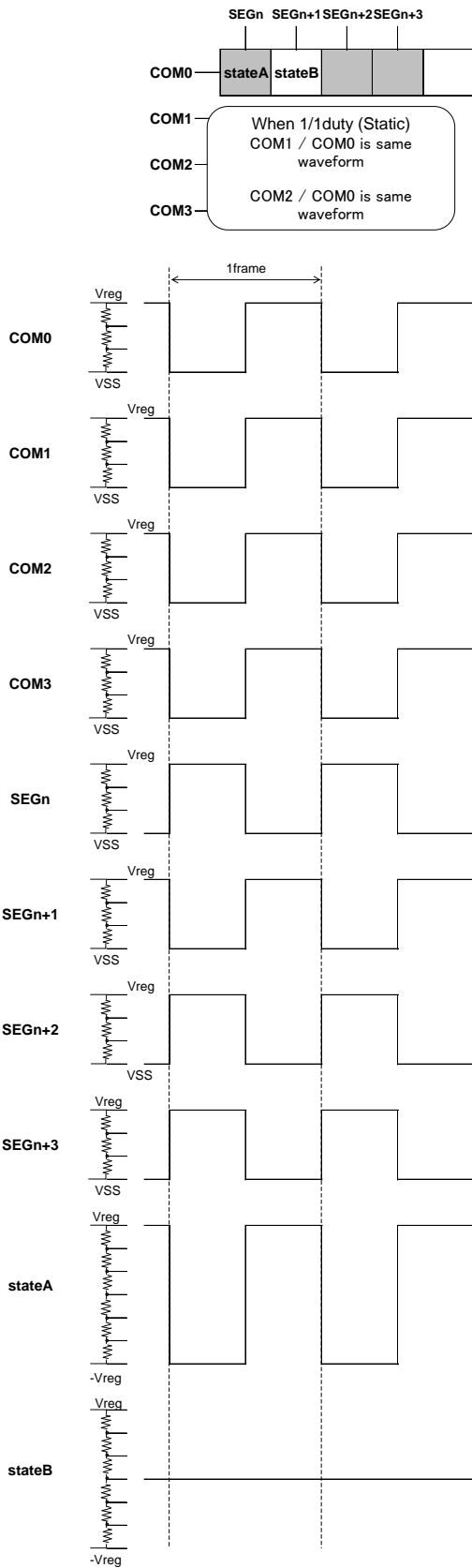


Figure 23. Waveform of Line Inversion

Frame inversion

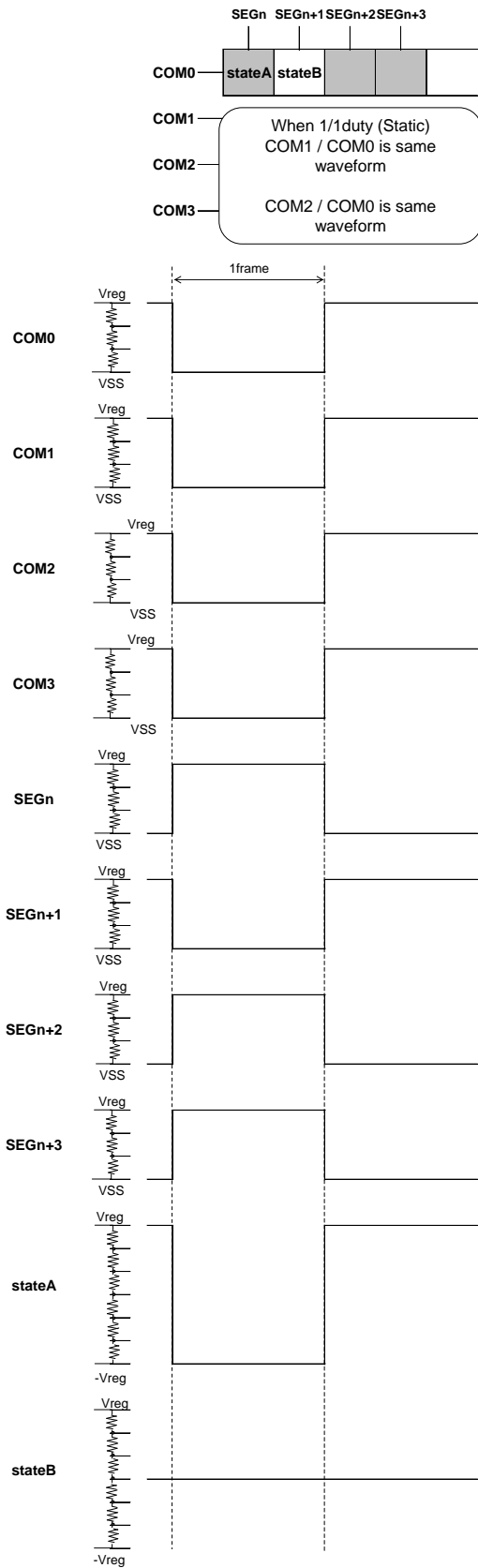
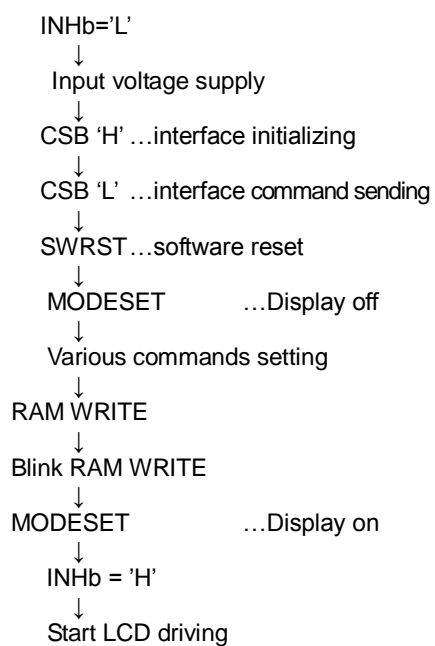


Figure 24. Waveform of Frame Inversion

Initialize Sequence

Please input sequence listed below, before start LCD driving.
(Refer to Power ON/OFF sequence)



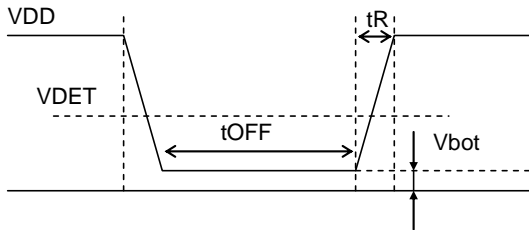
Before initialize sequence, DDRAM address, DDRAM data, Blink address and Blink data are random condition.

Cautions of Power-On/ Power-Off condition

POR circuit

This LSI has "P.O.R" (Power-On Reset) circuit and Software Reset function.
Please keep the following recommended Power-On conditions in order to power up properly.

1. Please set power up conditions to meet the recommended t_R , t_F , t_{OFF} , and V_{bot} spec below in order to ensure P.O.R operation.
(The detection voltage of POR varies because of environment etc. To operate POR surely, Please satisfy V_{bot} lower than 0.5V condition.)



Recommendation condition of t_R , t_F , t_{OFF} , V_{bot}

t_R	t_{OFF}	V_{bot}	V_{DET}
less than 10ms	Over 1ms	less than 0.5V	TYP 1.2V

* V_{DET} : POR detect level

Figure 25. Power ON/OFF Wave

2. If it is difficult to meet above conditions, execute the following sequence after Power-On.

- (1) CSB="L" → "H" condition
- (2) After CSB"H" → "L", execute SWRST command.

In addition, in order to the SWRST command certainly, please wait 1ms after a VDD level reaches to 90% and CSB="L" → "H".

Before SWRST command input device will be in unstable state, since SWRST command does not operate perfect substitution of a POR function.

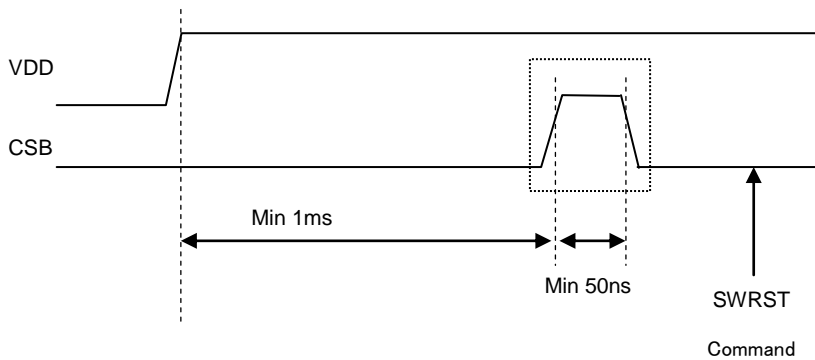


Figure 26. SWRST Command Sequence

Power ON/OFF Sequence

Display ON/OFF control by INHb terminal is not asynchronous frame cycle.
 To prevent incorrect display, malfunction and abnormal current,
 VDD must be turned on before VLCD in power up sequence.
 VDD must be turned off after VLCD in power down sequence.
 Please set INHb terminal = "L" during Power ON/OFF sequence.
 Please satisfies VLCD Please satisfies VLCD ≥ VDD, t1 > 0ns, t2 > 0ns

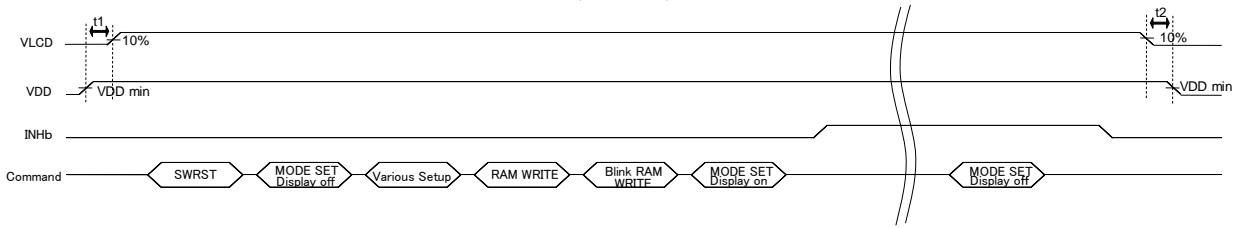


Figure 27. Power On/Off Sequence

Integrated Regulator Start-up Sequence

BU97981KV/MUV do not support integrated regulator start-up, during the normal (Vreg unused) display operation.
 So, in case, LCD power supply change to Vreg output under the normal operation period, display flickering will occur.
 In order to prevent this phenomenon please send MODESET command (Disp on) after REGSET command.
 Please satisfies VLCD Please satisfies VLCD ≥ VDD, t1 > 0ns, t2 > 0ns
 After SWRST command sending, please send same sequence.

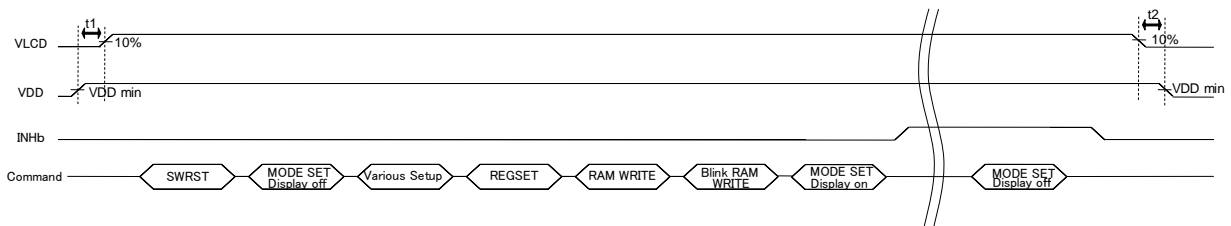


Figure 28. Integrated Regulator Start-up Sequence

LED Power Supply On/Off Sequence

In order to prevent irregular current, please start LED power supply after VLCD input and OUTSET2 command sending.
 Please satisfies VLCD Please satisfies VLCD ≥ VDD, t1 > 0ns, t2 > 0ns

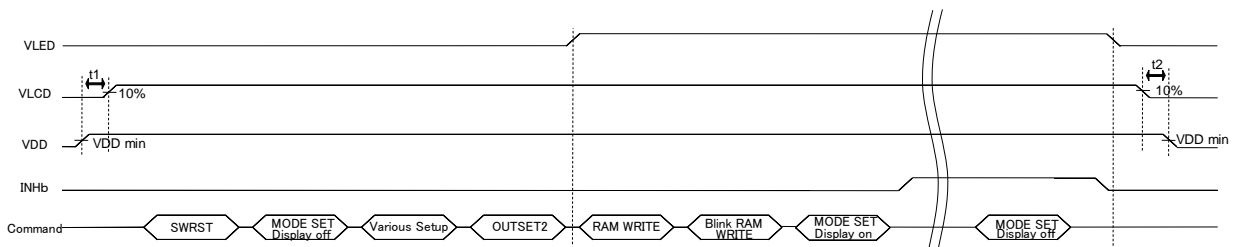


Figure 29. LED Power Supply On/Off Sequence

Attention About Input Port Pull Down

Satisfy the following sequence if input terminals are pulled down by external resistors (In case MPU output Hi-Z).

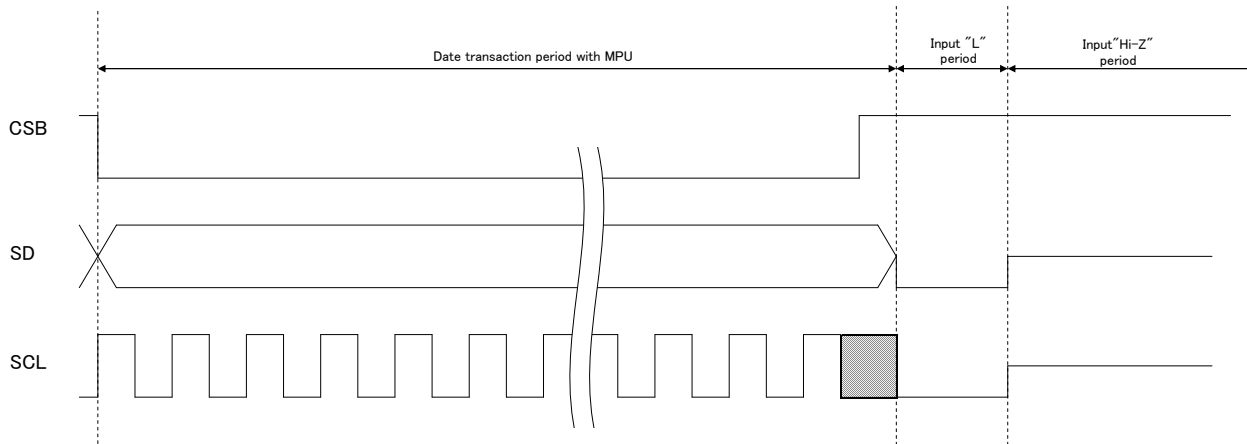


Figure 30. Recommended Sequence When Input Ports are Pulled Down

BU97981KV / BU9798MUV /BU97981GU adopts a 5V tolerant I/O for the digital input. This circuit includes a bus-hold function to keep the level of HIGH. A pull down resistor of below 10K ω shall be connected to the input terminals to transit from HIGH to LOW because the bus-hold transistor turns on during the input's HIGH level. (Refer to the **Figure 7, Figure 8; I/O Equivalent Circuit**)

A higher resistor than approximate 10K ω causes input terminals being steady by intermediate potential between HIGH and LOW level so unexpected current is consumed by the system.

The potential depends on the pull down resistance and bus-hold transistor's resistance.

As the bus-hold transistor turns off upon the input level cleared to LOW a higher resistor can be used as a pull down resistor if a MPU set SD and SCL lines to LOW before it releases the lines.

The LOW period preceding MPU's bus release shall be at least 50ns as same as a minimum CLK width (tSLW).

Operational Notes**1. Reverse Connection of Power Supply**

Connecting the power supply in reverse polarity can damage the IC. Take precautions against reverse polarity when connecting the power supply, such as mounting an external diode between the power supply and the IC's power supply pins.

2. Power Supply Lines

Design the PCB layout pattern to provide low impedance supply lines. Separate the ground and supply lines of the digital and analog blocks to prevent noise in the ground and supply lines of the digital block from affecting the analog block. Furthermore, connect a capacitor to ground at all power supply pins. Consider the effect of temperature and aging on the capacitance value when using electrolytic capacitors.

3. Ground Voltage

Ensure that no pins are at a voltage below that of the ground pin at any time, even during transient condition.

4. Ground Wiring Pattern

When using both small-signal and large-current ground traces, the two ground traces should be routed separately but connected to a single ground at the reference point of the application board to avoid fluctuations in the small-signal ground caused by large currents. Also ensure that the ground traces of external components do not cause variations on the ground voltage. The ground lines must be as short and thick as possible to reduce line impedance.

5. Thermal Consideration

Should by any chance the power dissipation rating be exceeded the rise in temperature of the chip may result in deterioration of the properties of the chip. The absolute maximum rating of the Pd stated in this specification is when the IC is mounted on a 70mm x 70mm x 1.6mm glass epoxy board. In case of exceeding this absolute maximum rating, increase the board size and copper area to prevent exceeding the Pd rating.

6. Recommended Operating Conditions

These conditions represent a range within which the expected characteristics of the IC can be approximately obtained. The electrical characteristics are guaranteed under the conditions of each parameter.

7. Inrush Current

When power is first supplied to the IC, it is possible that the internal logic may be unstable and inrush current may flow instantaneously due to the internal powering sequence and delays, especially if the IC has more than one power supply. Therefore, give special consideration to power coupling capacitance, power wiring, width of ground wiring, and routing of connections.

8. Operation Under Strong Electromagnetic Field

Operating the IC in the presence of a strong electromagnetic field may cause the IC to malfunction.

9. Testing on Application Boards

When testing the IC on an application board, connecting a capacitor directly to a low-impedance output pin may subject the IC to stress. Always discharge capacitors completely after each process or step. The IC's power supply should always be turned off completely before connecting or removing it from the test setup during the inspection process. To prevent damage from static discharge, ground the IC during assembly and use similar precautions during transport and storage.

10. Inter-pin Short and Mounting Errors

Ensure that the direction and position are correct when mounting the IC on the PCB. Incorrect mounting may result in damaging the IC. Avoid nearby pins being shorted to each other especially to ground, power supply and output pin. Inter-pin shorts could be due to many reasons such as metal particles, water droplets (in very humid environment) and unintentional solder bridge deposited in between pins during assembly to name a few.

Operational Notes – continued**11. Unused Input Pins**

Input pins of an IC are often connected to the gate of a MOS transistor. The gate has extremely high impedance and extremely low capacitance. If left unconnected, the electric field from the outside can easily charge it. The small charge acquired in this way is enough to produce a significant effect on the conduction through the transistor and cause unexpected operation of the IC. So unless otherwise specified, unused input pins should be connected to the power supply or ground line.

12. Regarding the Input Pin of the IC

In the construction of this IC, P-N junctions are inevitably formed creating parasitic diodes or transistors. The operation of these parasitic elements can result in mutual interference among circuits, operational faults, or physical damage. Therefore, conditions which cause these parasitic elements to operate, such as applying a voltage to an input pin lower than the ground voltage should be avoided. Furthermore, do not apply a voltage to the input pins when no power supply voltage is applied to the IC. Even if the power supply voltage is applied, make sure that the input pins have voltages within the values specified in the electrical characteristics of this IC.

13. Data transmission

To refrain from data transmission is strongly recommended while power supply is rising up or falling down to prevent from the occurrence of disturbances on transmission and reception.

Ordering Information

B U 9 7 9 8 1 x x x	-	E 2
Part Number	Package KV : VQFP64 MUV : VQFN56AV8080	Packaging and forming specification E2: Embossed tape and reel (VQFP64, VQFN56AV8080)

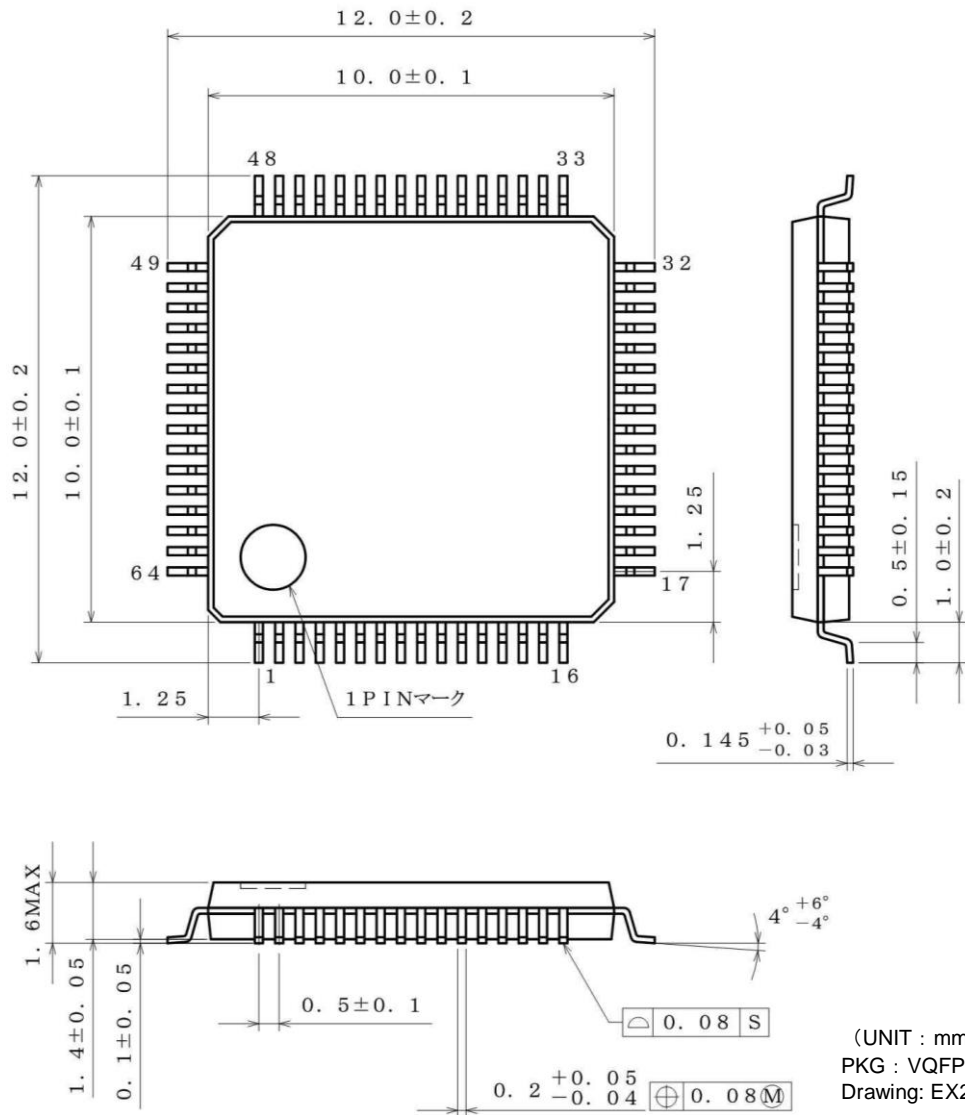
B U 9 7 9 8 1 G U	-	ZE 2
Part Number	Package GU : VBGA064T050A	Packaging and forming specification E2: Embossed tape and reel (VBGA064T050A)

Lineup

Package		Orderable Part Number
VQFP64	Reel of 1000	BU97981KV-E2
VQFN56AV8080	Reel of 1000	BU97981MUV-E2
VBGA064T050A	Reel of 2500	BU97981GU-ZE2

Physical Dimension, Tape and Reel Information

Package Name	VQFP64
--------------	--------



(UNIT : mm)
 PKG : VQFP64
 Drawing: EX252-5001-1

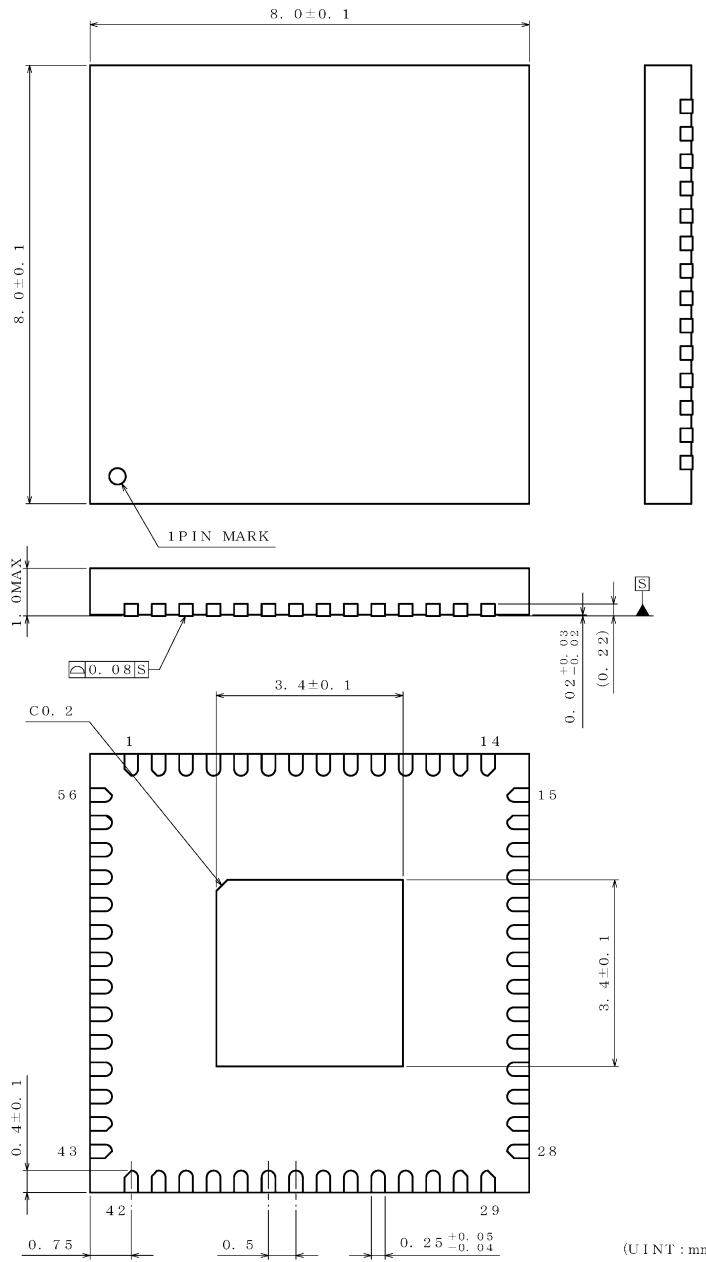
<Tape and Reel information>

Tape	Embossed carrier tape (with dry pack)
Quantity	1000pcs
Direction of feed	E2 (The direction is the 1pin of product is at the upper left when you hold reel on the left hand and you pull out the tape on the right hand)

*Order quantity needs to be multiple of the minimum quantity.

Package Name

VQFN56AV8080

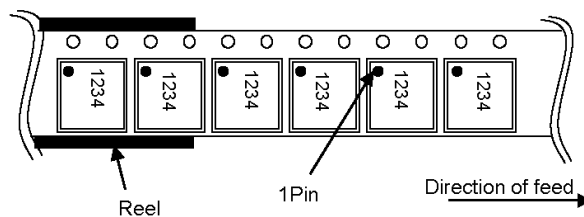


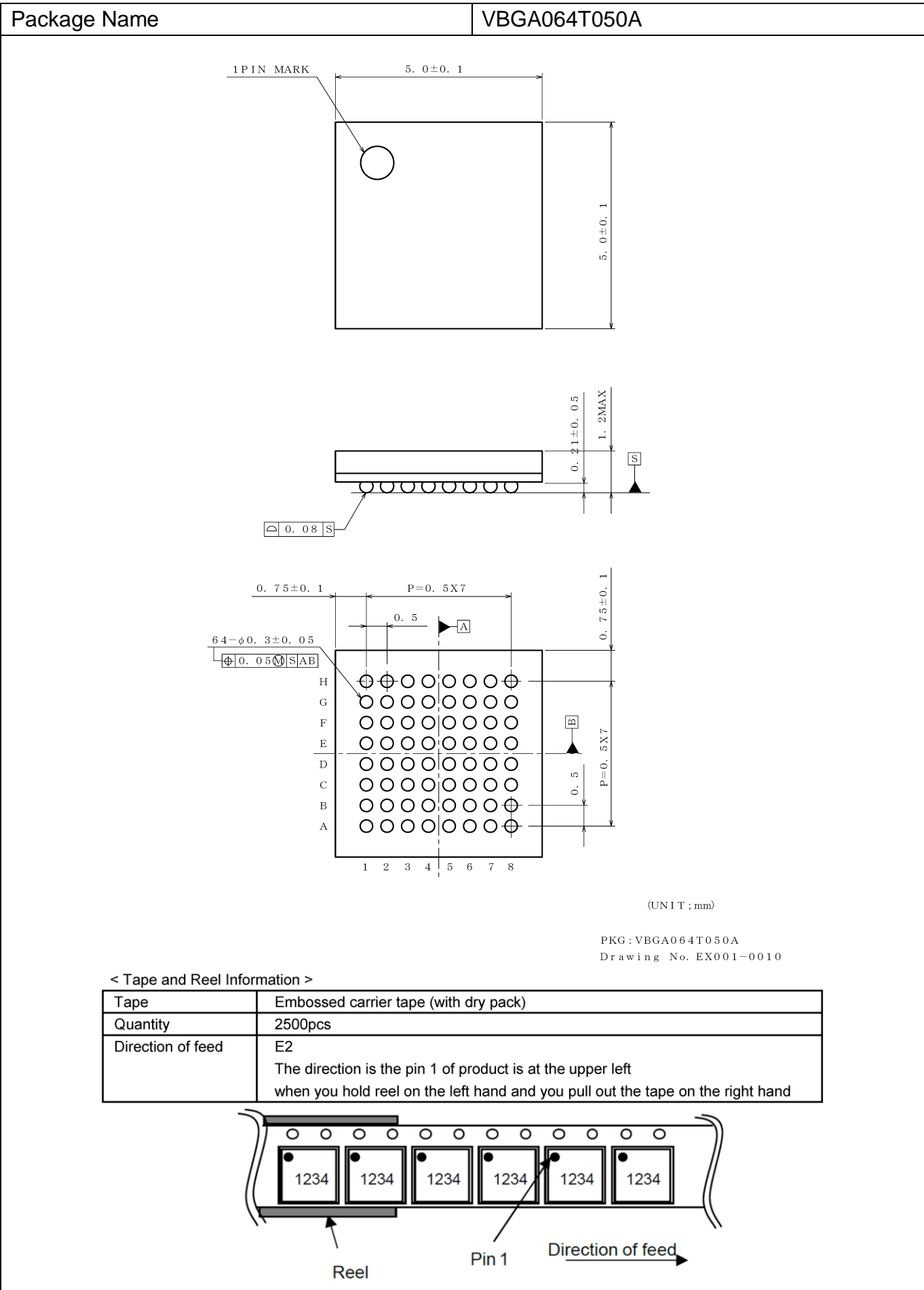
(UNIT : mm)

PKG : VQFN56AV8080
Drawing No. EX494-5001-1

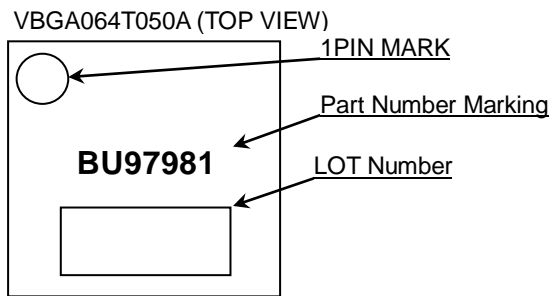
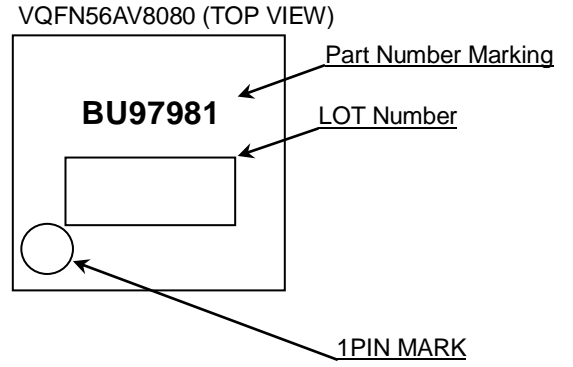
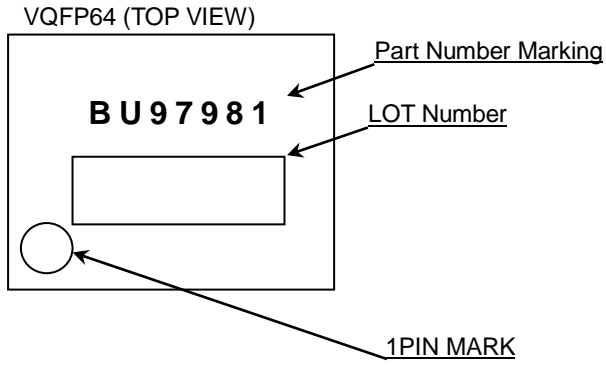
< Tape and Reel Information >

Tape	Embossed carrier tape
Quantity	1000pcs
Direction of feed	E2 (The direction is the 1 pin of product is at the upper left when you hold) reel on the left hand and you pull out the tape on the right hand





Marking Diagrams



Part Number	Package	Part Number Marking
BU97981KV	VQFP64	BU97981
BU97981MUV	VQFN56AV8080	BU97981
BU97981GU	VBGA064T050A	BU97981

Revision History

Date	Revision	Changes
31.Aug.2012	001	New Release
10.Oct.2012	002	P.7 (BU97981MUV) Output voltage1 MIN: 4.35 -> 4.25, MAX:4.65 -> 4.70 Output voltage2 MIN:4.42 -> 4.38, MAX:4.58 -> 4.62 P.10, P.11 Example of recommended circuit seg -> segments
21.Aug.2013	003	Change to New Style P.7 (BU97981MUV) Output voltage1 MIN: 4.25 -> 4.30
17.Dec.2014	004	Add GU Package P.1 Delete Package figure P.41 Add "Z" character in Ordering information
04.Feb.2015	005	P.37 Add the condition when power supply
10.Apr.2015	006	P.37 Modified and add the Figure of Power ON/OFF Sequence
04.Feb.2019	007	P.43 Correct error in Physical Dimension

Notice

Precaution on using ROHM Products

- Our Products are designed and manufactured for application in ordinary electronic equipment (such as AV equipment, OA equipment, telecommunication equipment, home electronic appliances, amusement equipment, etc.). If you intend to use our Products in devices requiring extremely high reliability (such as medical equipment ^(Note 1), transport equipment, traffic equipment, aircraft/spacecraft, nuclear power controllers, fuel controllers, car equipment including car accessories, safety devices, etc.) and whose malfunction or failure may cause loss of human life, bodily injury or serious damage to property ("Specific Applications"), please consult with the ROHM sales representative in advance. Unless otherwise agreed in writing by ROHM in advance, ROHM shall not be in any way responsible or liable for any damages, expenses or losses incurred by you or third parties arising from the use of any ROHM's Products for Specific Applications.

(Note1) Medical Equipment Classification of the Specific Applications

JAPAN	USA	EU	CHINA
CLASS III	CLASS III	CLASS II b	CLASS III
CLASS IV		CLASS III	

- ROHM designs and manufactures its Products subject to strict quality control system. However, semiconductor products can fail or malfunction at a certain rate. Please be sure to implement, at your own responsibilities, adequate safety measures including but not limited to fail-safe design against the physical injury, damage to any property, which a failure or malfunction of our Products may cause. The following are examples of safety measures:
 - Installation of protection circuits or other protective devices to improve system safety
 - Installation of redundant circuits to reduce the impact of single or multiple circuit failure
- Our Products are designed and manufactured for use under standard conditions and not under any special or extraordinary environments or conditions, as exemplified below. Accordingly, ROHM shall not be in any way responsible or liable for any damages, expenses or losses arising from the use of any ROHM's Products under any special or extraordinary environments or conditions. If you intend to use our Products under any special or extraordinary environments or conditions (as exemplified below), your independent verification and confirmation of product performance, reliability, etc. prior to use, must be necessary:
 - Use of our Products in any types of liquid, including water, oils, chemicals, and organic solvents
 - Use of our Products outdoors or in places where the Products are exposed to direct sunlight or dust
 - Use of our Products in places where the Products are exposed to sea wind or corrosive gases, including Cl₂, H₂S, NH₃, SO₂, and NO₂
 - Use of our Products in places where the Products are exposed to static electricity or electromagnetic waves
 - Use of our Products in proximity to heat-producing components, plastic cords, or other flammable items
 - Sealing or coating our Products with resin or other coating materials
 - Use of our Products without cleaning residue of flux (Exclude cases where no-clean type fluxes is used. However, recommend sufficiently about the residue.) ; or Washing our Products by using water or water-soluble cleaning agents for cleaning residue after soldering
 - Use of the Products in places subject to dew condensation
- The Products are not subject to radiation-proof design.
- Please verify and confirm characteristics of the final or mounted products in using the Products.
- In particular, if a transient load (a large amount of load applied in a short period of time, such as pulse, is applied, confirmation of performance characteristics after on-board mounting is strongly recommended. Avoid applying power exceeding normal rated power; exceeding the power rating under steady-state loading condition may negatively affect product performance and reliability.
- De-rate Power Dissipation depending on ambient temperature. When used in sealed area, confirm that it is the use in the range that does not exceed the maximum junction temperature.
- Confirm that operation temperature is within the specified range described in the product specification.
- ROHM shall not be in any way responsible or liable for failure induced under deviant condition from what is defined in this document.

Precaution for Mounting / Circuit board design

- When a highly active halogenous (chlorine, bromine, etc.) flux is used, the residue of flux may negatively affect product performance and reliability.
- In principle, the reflow soldering method must be used on a surface-mount products, the flow soldering method must be used on a through hole mount products. If the flow soldering method is preferred on a surface-mount products, please consult with the ROHM representative in advance.

For details, please refer to ROHM Mounting specification

Precautions Regarding Application Examples and External Circuits

1. If change is made to the constant of an external circuit, please allow a sufficient margin considering variations of the characteristics of the Products and external components, including transient characteristics, as well as static characteristics.
2. You agree that application notes, reference designs, and associated data and information contained in this document are presented only as guidance for Products use. Therefore, in case you use such information, you are solely responsible for it and you must exercise your own independent verification and judgment in the use of such information contained in this document. ROHM shall not be in any way responsible or liable for any damages, expenses or losses incurred by you or third parties arising from the use of such information.

Precaution for Electrostatic

This Product is electrostatic sensitive product, which may be damaged due to electrostatic discharge. Please take proper caution in your manufacturing process and storage so that voltage exceeding the Products maximum rating will not be applied to Products. Please take special care under dry condition (e.g. Grounding of human body / equipment / solder iron, isolation from charged objects, setting of Ionizer, friction prevention and temperature / humidity control).

Precaution for Storage / Transportation

1. Product performance and soldered connections may deteriorate if the Products are stored in the places where:
 - [a] the Products are exposed to sea winds or corrosive gases, including Cl₂, H₂S, NH₃, SO₂, and NO₂
 - [b] the temperature or humidity exceeds those recommended by ROHM
 - [c] the Products are exposed to direct sunshine or condensation
 - [d] the Products are exposed to high Electrostatic
2. Even under ROHM recommended storage condition, solderability of products out of recommended storage time period may be degraded. It is strongly recommended to confirm solderability before using Products of which storage time is exceeding the recommended storage time period.
3. Store / transport cartons in the correct direction, which is indicated on a carton with a symbol. Otherwise bent leads may occur due to excessive stress applied when dropping of a carton.
4. Use Products within the specified time after opening a humidity barrier bag. Baking is required before using Products of which storage time is exceeding the recommended storage time period.

Precaution for Product Label

A two-dimensional barcode printed on ROHM Products label is for ROHM's internal use only.

Precaution for Disposition

When disposing Products please dispose them properly using an authorized industry waste company.

Precaution for Foreign Exchange and Foreign Trade act

Since concerned goods might be fallen under listed items of export control prescribed by Foreign exchange and Foreign trade act, please consult with ROHM in case of export.

Precaution Regarding Intellectual Property Rights

1. All information and data including but not limited to application example contained in this document is for reference only. ROHM does not warrant that foregoing information or data will not infringe any intellectual property rights or any other rights of any third party regarding such information or data.
2. ROHM shall not have any obligations where the claims, actions or demands arising from the combination of the Products with other articles such as components, circuits, systems or external equipment (including software).
3. No license, expressly or implied, is granted hereby under any intellectual property rights or other rights of ROHM or any third parties with respect to the Products or the information contained in this document. Provided, however, that ROHM will not assert its intellectual property rights or other rights against you or your customers to the extent necessary to manufacture or sell products containing the Products, subject to the terms and conditions herein.

Other Precaution

1. This document may not be reprinted or reproduced, in whole or in part, without prior written consent of ROHM.
2. The Products may not be disassembled, converted, modified, reproduced or otherwise changed without prior written consent of ROHM.
3. In no event shall you use in any way whatsoever the Products and the related technical information contained in the Products or this document for any military purposes, including but not limited to, the development of mass-destruction weapons.
4. The proper names of companies or products described in this document are trademarks or registered trademarks of ROHM, its affiliated companies or third parties.

General Precaution

1. Before you use our Products, you are requested to carefully read this document and fully understand its contents. ROHM shall not be in any way responsible or liable for failure, malfunction or accident arising from the use of any ROHM's Products against warning, caution or note contained in this document.
2. All information contained in this document is current as of the issuing date and subject to change without any prior notice. Before purchasing or using ROHM's Products, please confirm the latest information with a ROHM sales representative.
3. The information contained in this document is provided on an "as is" basis and ROHM does not warrant that all information contained in this document is accurate and/or error-free. ROHM shall not be in any way responsible or liable for any damages, expenses or losses incurred by you or third parties resulting from inaccuracy or errors of or concerning such information.