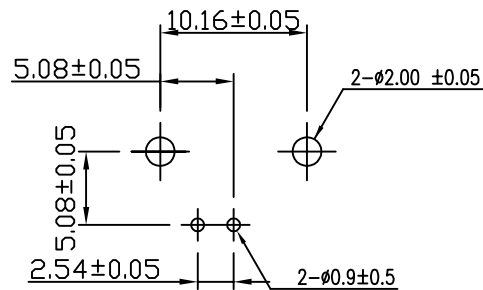
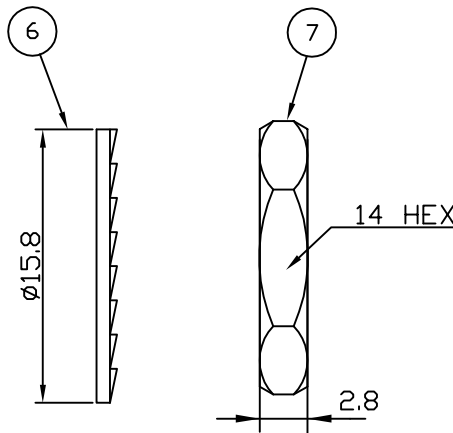
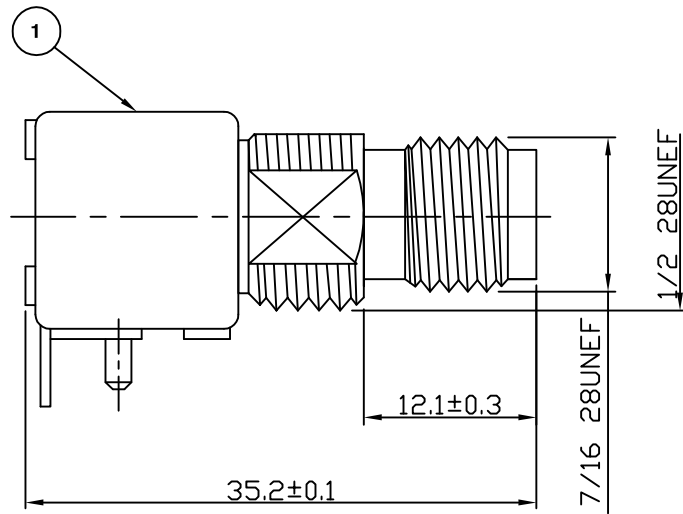
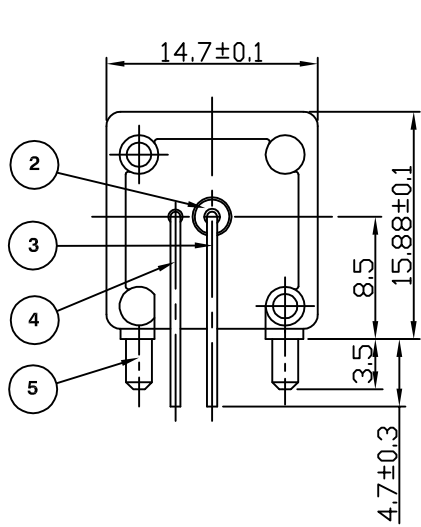
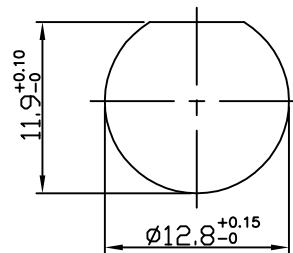


RoHS COMPLIANT



RECOMMENDED PCB LAYOUT



RECOMMENDED PANEL CUTOUT

Electrical Characteristics

Nominal Impedance:	50 ohms
Frequency Range:	DC to 11 GHz
Operating Voltage (rms):	500 V maximum at sea level
Dielectric Withstand Voltage (rms):	1500 V maximum at sea level
Contact Resistance:	1.5 milliohms maximum
Insulation Resistance:	5000 megohms minimum

Mechanical Characteristics

Mating Cycles:	500 cycles minimum
Interface Dimensions:	Conform to MIL-C-39012

Environmental Characteristics

Temperature Range:	-55 °C to +165 °C
--------------------	-------------------

PART	DESCRIPTION
1	Body Zinc alloy, nickel plated
2	Dielectric Polypropylene UL94V-0
3	Socket contact Phosphor bronze, gold plated
4	Ground terminal Copper-clad steel, tin plated
5	Mounting post Brass, tin plated
6	Lock Nut Brass, nickel plated
7	Washer Brass, nickel plated

Nut & Washer added, RoHS compliance	JW	3	26 Apr 06
CAD Issue	SN	2	8 Oct 01
First Issue	CBB	1	14 Jan 92
DESCRIPTION OF REVISION	APPVD	ISS	DATE



Cinch Connectivity Solutions
7-13 Russel Way,
Widford Industrial Estate,
Chelmsford,
Essex, CM1 3AA, UK
Tel: +44 (0) 1245 359515
Fax: +44 (0) 1245 358938

SCALE: Not To Scale

DIMENSIONS: mm

TOLERANCES:
± 0.2mm unless
otherwise stated

DRAWN BY:

J Williams

CHECKED BY:

M Terry

APPROVED BY:

A Tusi

DATE:

26 Apr 06

TITLE:

TNC Shielded Right Angle
PCB Mount Jack

PART NUMBER:

VTM201

PAGE: 1 of 1