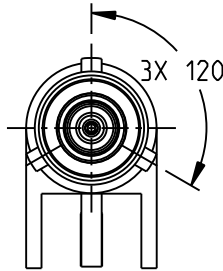
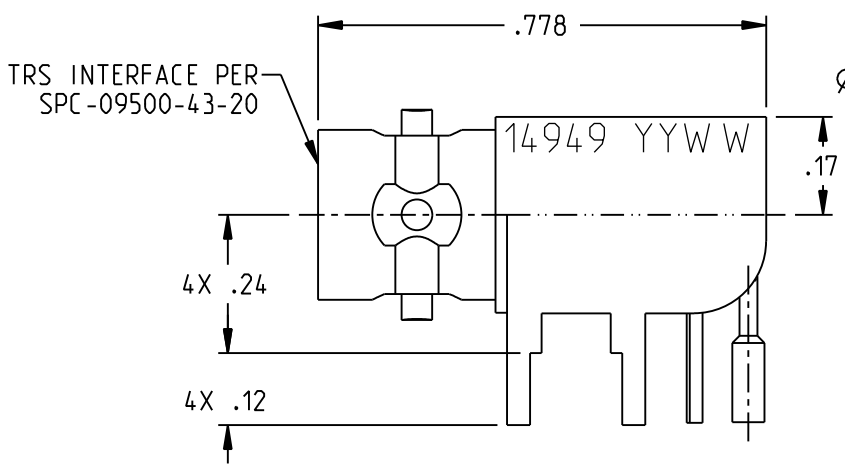


CBJR157FL

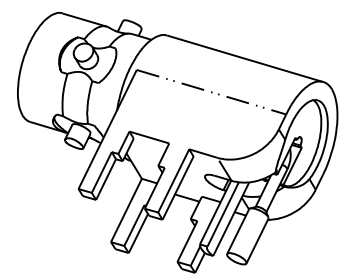
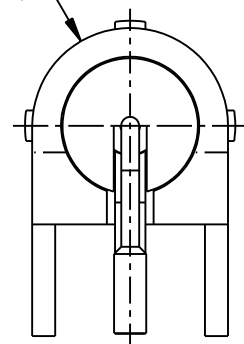


CBJR157



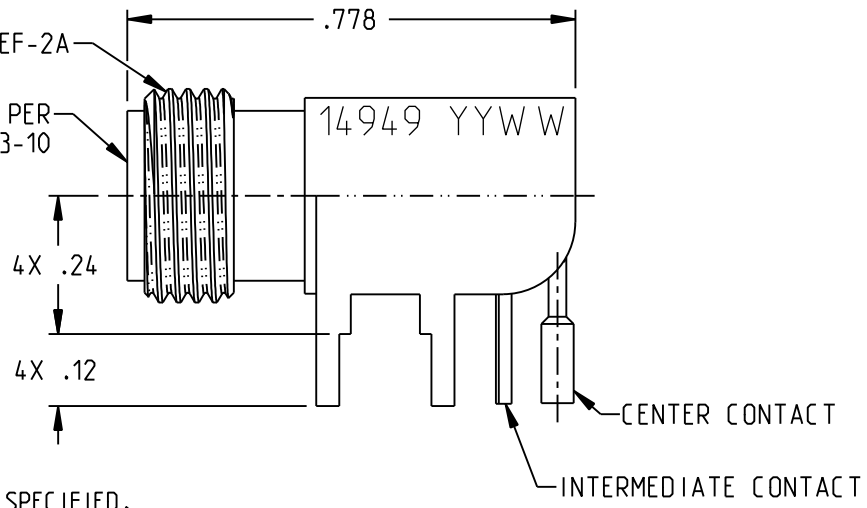
CBJR157FL SHOWN

Ø.340±.010



3/8-32 UNEF-2A

TTM INTERFACE PER SPC-09500-43-10



CBJR3157 SHOWN

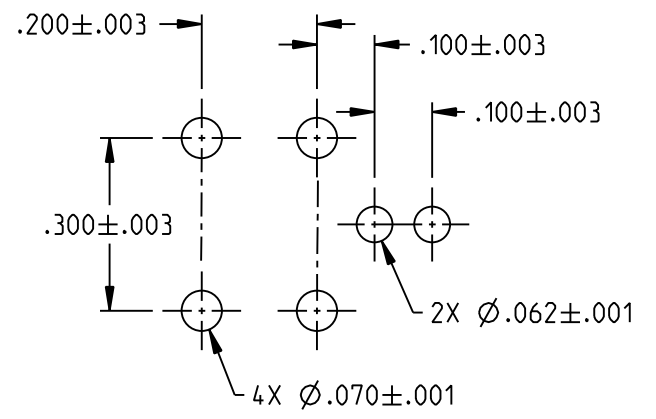
CENTER CONTACT

INTERMEDIATE CONTACT

NOTES: UNLESS OTHERWISE SPECIFIED.

1. MATERIAL & FINISH:
 - 1.1 BODY: TIN PLATED BRASS
 - 1.2 OUTER INSULATOR : PTFE (TEFLON)
 - 1.3 INTERMEDIATE CONTACT: GOLD PLATED BERYLLIUM COPPER
 - 1.4 DIELECTRIC: PTFE (TEFLON)
 - 1.5 CENTER CONTACT: GOLD PLATED BERYLLIUM COPPER

2. ELECTRICAL:
 - 2.1 FREQUENCY (MAX): 500 MHZ
 - 2.2 IMPEDANCE: NON-CONSTANT



RECOMMENDED MTG HOLE PATTERN

		<h1>TROMPETER</h1>	
	RoHS2 <input checked="" type="checkbox"/> 2015/863/EU	Title: TRS/TTM, PC, RIGHT ANGLE, JACK	
<small>NOTICE: The information in this drawing is PROPRIETARY and must not be used without the permission of Cinch Connectivity Solutions. It may contain data whose export is restricted. Verify status prior to exporting.</small>		Model No. CBJRX157XX	
<small>UNLESS OTHERWISE SPECIFIED UNITS: INCH</small>		Size A	Date: 10/5/2021
INTERPRET DRAWING IN ACCORDANCE WITH ASME Y14.5-2018		DO NOT SCALE DRAWING	Sheet 1 OF 1