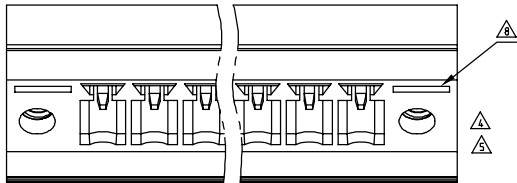


SIGN	DATE	DESCRIPTION	APPROVER
△	8/07'06	Added VDE standard	Liang ren song
△	1/27'07	Soldering temperature changed from 245° to 250°	Tony
△	6/19'08	Operating temperature is changed	Marvin
△	6/19'08	with flange is changed	Marvin
△	9/23'09	The design is changed from the round hole to hexagonal hole.	Jacke
△	10/26'09	The material is changed from Brass to Copper	Jacke
△	04/28'12	Flange Nut is changed	Guoxue
△	12/04'12	Update the drawing	Chen Bo

THIS IS CAD DRAWING, DO NOT REVISE MANUALLY!!!



Material:

- △ ● Item ㉑ Male contact pin: Copper Tin plated
- Item ㉒ Terminal(housing): Thermoplastic (UL94V-0)
- Item ㉓ With flange nut: Brass ,M2.5

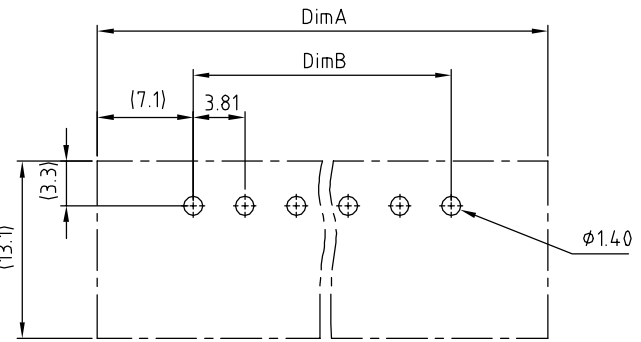
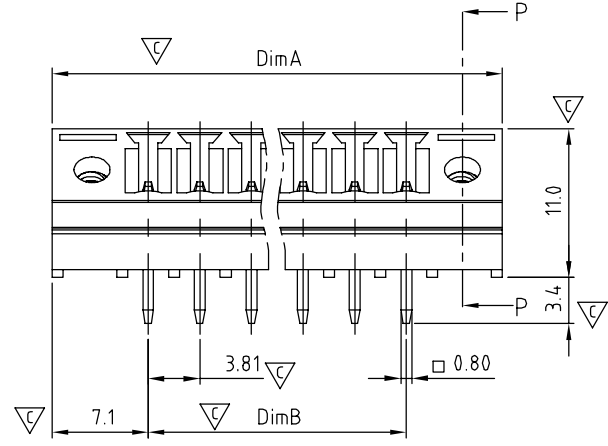
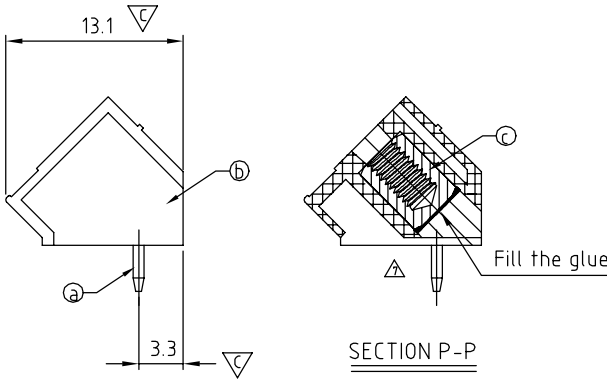
- △ Electrical: cULus /VDE
- Voltage rating: 300V/300V
- Current rating: 8A/10A
- Withstanding Voltage: 1.6 KV/2.5KV
- △ ● Operating temperature: -40°C to +115°C
- △ ● Soldering temperature: 260°C±5°C/5 Sec
- Safety Approval:
- Critical dimension:

VK xx 3 2 x 0 xxxx G

No. OF POLES
02: 2 POLES
:
:
24: 24 POLES

COLOR
0 Black (RAL9005)
2 Red (RAL3001/D)
3 Orange(RAL2011/P)
4 Yellow(RAL1018/A)
5 Green(RAL6018/T)
6 Blue (RAL5015/A)
8 Grey(RAL7035/D)

G RoHS compliant (lead<4%)
In copper Alloy
0000: "@ " Logo
000A: "ANYTEK" Logo
Any special item by customer request.
please contact sales department.



DimA=(N-1)×3.81+14.2
DimB=(N-1)×3.81
N=NUMBER OF POLES

POLES	TOL
2p-6p	+0.10/-0.10
7p-12p	+0.15/-0.15
13p-18p	+0.20/-0.20
19p-24p	+0.30/-0.30

ANYTEK		CUSTOMER COPY	
TITLE	VK -3.81mm Series (with flange)		
PART NO.	VKxx32x0xxxxG	DWG NO.	8VK0102
APPROVED	CHECKED	DESIGNED	DRAWN
		Chen Bo 12/04'12	Chen Bo 12/04'12
SHEET: 01/01		UNIT: mm	Tolerance
		SCALE: NONE	X. ±0.50
		REV.: J	X.X ±0.30
			X.XX ±0.10
			X° ±1°