

SIGN	DATE	DESCRIPTION	APPROVER

THIS IS CAD DRAWING, DO NOT REVISE MANUALLY!!!

- Material:
- Insulator(housing): Thermoplastic (UL94V-0)
 - Insulator(cover): Thermoplastic (UL94V-0)
 - Metal housing: Steel
 - Terminal screw: Steel Zinc plating "-" slot type.
 - Contact: Brass,Tin plated.

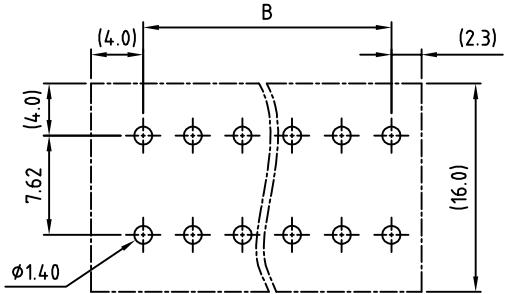
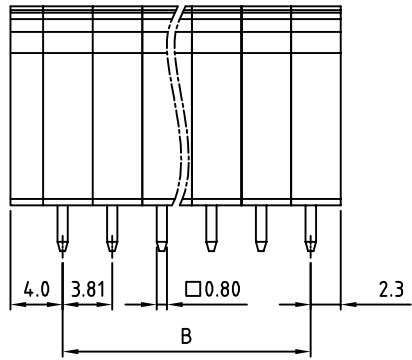
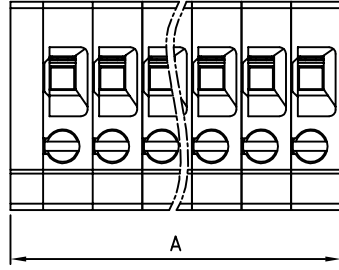
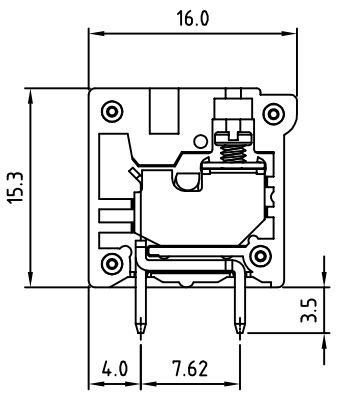
- Electrical:
- Voltage rating: 300V
 - Current rating: 8A
 - Wire range:
 - Solid wire(AWG): 16-28
 - Stranded wire(AWG): 16-28
 - Torque: 1.7 Lb-In.
 - Screw: M2
 - Wire strip length: 8-9mm
 - Withstanding Voltage: 1.6KV
 - Operating temperature: -40°C to +115°C

RoHS Compliant

PART NUMBER:

OSTTRXX3550

- No. of Poles
 - 02 2 Poles
 - 03 3 Poles
 -
 - 24 24 Poles
- COLOR
 - 0: Black
 - 5: Green (Standard)
 - 6: Blue
 - 8: Grey



PCB Layout

POLE		2	3	4	5	6	7	8	9	10	11	12	
A		10.12	13.93	17.74	21.55	25.36	29.17	32.98	36.79	40.60	44.41	48.22	
B		3.81	7.62	11.43	15.24	19.05	22.86	26.67	30.48	34.29	38.10	41.91	
Tol.		±0.10					±0.15						
POLE		13	14	15	16	17	18	19	20	21	22	23	24
A		52.03	55.84	59.65	63.46	67.27	71.08	74.89	78.70	82.51	86.32	90.13	93.94
B		45.72	49.53	53.34	57.15	60.96	64.77	68.58	72.39	76.20	80.01	83.82	87.63
Tol.		±0.20					±0.30						



TITLE	OSTTR 3.81mm 90D Series		
PART NO.	OSTTRXX3550	DWG NO.	OSTTRXX3550.DWG
APPROVED	CHECKED	DESIGNED	DRAWN
		Tony 2008.06.10	Tony 2008.06.10
		SHEET: 01/01	UNIT: mm SCALE: NONE REV.: B
			Tolerance
			X. ±0.50
			X.X ±0.30
			X.XX ±0.10
			X° ±1°