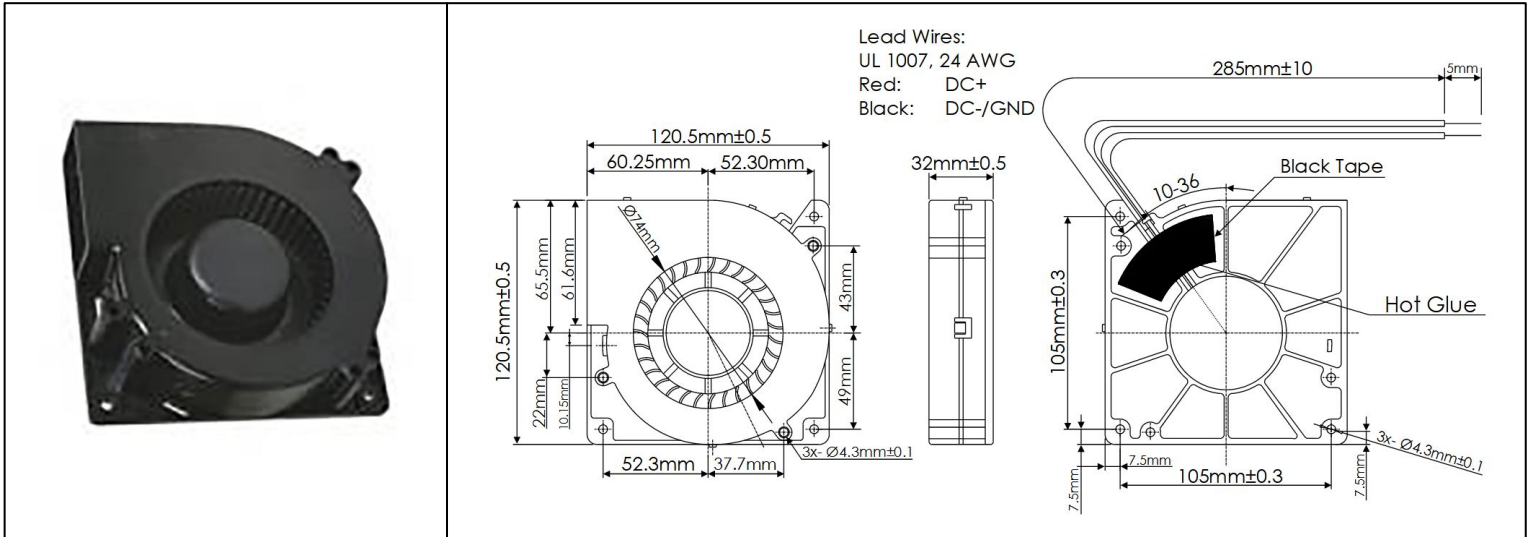


ODB1232 Series



DC Blowers, 12, 24V
120mm x 120mm x 32mm (4.7" x 1.3")



Frame	PBT, UL94 V-0 plastic	Operating Temperature -10°C ~ +70°C Storage Temperature -40°C ~ +70°C Life Expectancy 70,000 hours (L10 at 40°C) Available Options 48V Models PWM Speed Control Input Tachometer Output Alarm Output Weight: 0.55 lbs	
Impeller	PBT, UL94 V-0 plastic		
Connection	2x Lead wires, 24 AWG		
Motor	Brushless DC, Auto Cutoff, Auto Restart, Electronically Protected, Polarity Protected		
Bearing System	Dual Ball Bearings		
Dielectric Strength	500VAC/min, < 1mA		
Insulation Resistance	10M ohm between lead wires and frame (500 VDC)		

Part Number	Rated Voltage (Volts DC)	Voltage Range (Volts DC)	Input Power (Watts)	Rated Current (Amps)	Rated Speed (RPM)	Airflow (CFM)	Noise Level (dB)	Max. Static Pressure
ODB1232-12HB	12	8 ~ 13.8	10.7	0.89	2600	29.6	53.4	1.0" H ₂ O
ODB1232-12MB	12	8 ~ 13.8	6.7	0.56	2300	25.8	48.1	0.6" H ₂ O
ODB1232-12LB	12	8 ~ 13.8	5.4	0.45	2100	23.7	49.8	0.5" H ₂ O
ODB1232-24HHB	24	14 ~ 26.4	17.0	0.71	3100	32.3	59.7	1.4" H ₂ O
ODB1232-24HB	24	14 ~ 26.4	11.8	0.49	2600	29.6	53.4	1.0" H ₂ O
ODB1232-24MB	24	14 ~ 26.4	9.4	0.39	2300	25.8	48.1	0.6" H ₂ O
ODB1232-24LB	24	14 ~ 26.4	7.2	0.30	2100	23.7	49.8	0.5" H ₂ O