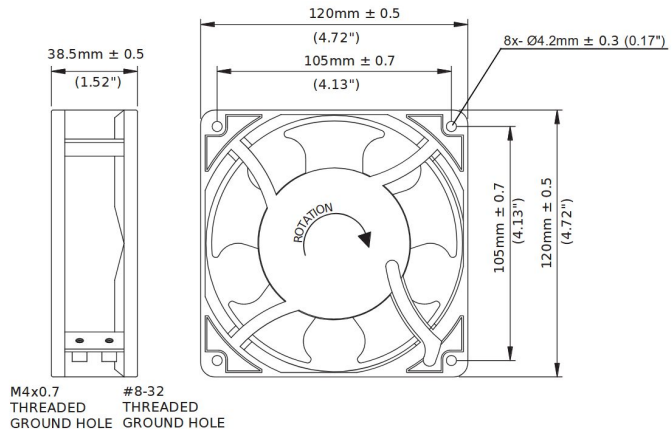


OA109AP Series



AC Fan, 115V, 230V
120x38mm (4.75"x1.5")



| | | | |
|-----------------------|--|--|--|
| Frame | Die Cast Aluminum | Operating Temperature -20°C ~ +75°C (Ball Bearing) -10°C ~ +45°C (Sleeve Bearing) Storage Temperature -40°C ~ +100°C Life Expectancy Ball Bearing: 70,000 hours (L10 at 40°C) Sleeve Bearing: 30,000 hours (L10 at 40°C) Weight: 1.19 lbs m0 | |
| Impeller | PBT, UL94 V-0 plastic | | |
| Power Connection | 2x Lead wires, 22 AWG 300mm, or Terminals | | |
| Motor | AC Shaded Pole, Impedance Protected | | |
| Bearing System | Dual Ball or Sleeve | | |
| Dielectric Strength | 1 minute at 1500VAC, < 1 mA | | |
| Insulation Resistance | >100 MΩ between lead wire and frame (500VDC) | | |

| Part Number | Rated Voltage | Frequency | Input Power | Rated Speed (RPM) | Airflow (CFM) | Noise Level (dB) | Max. Static Pressure |
|----------------|---------------|-----------|-------------|-------------------|---------------|------------------|------------------------|
| OA109AP-11-1 * | 115 VAC | 60 Hz | 15 W | 3000 | 104 | 42 | 0.29" H ₂ O |
| OA109AP-11-2 * | 115 VAC | 60 Hz | 11 W | 2300 | 70 | 35 | 0.18" H ₂ O |
| OA109AP-11-3 * | 115 VAC | 60 Hz | 8 W | 1600 | 52 | 25 | 0.13" H ₂ O |
| OA109AP-22-1 * | 230 VAC | 60 Hz | 15 W | 3000 | 104 | 42 | 0.29" H ₂ O |
| OA109AP-22-2 * | 230 VAC | 60 Hz | 11 W | 2300 | 70 | 35 | 0.18" H ₂ O |
| OA109AP-22-3 * | 230 VAC | 60 Hz | 8 W | 1600 | 52 | 25 | 0.13" H ₂ O |

* Indicate "TB" (Terminal Ball Bearing), "WB" (Wire Leads, Ball Bearing), "TS" (Terminal, Sleeve Bearing), "WS" (Wire Leads, Sleeve Bearing)