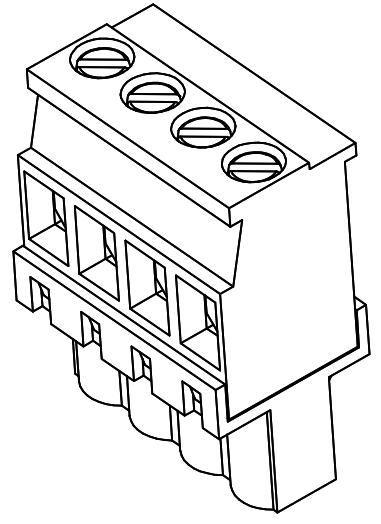
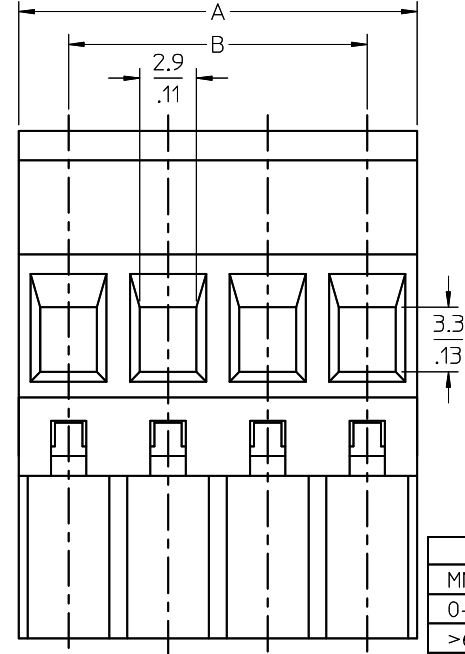
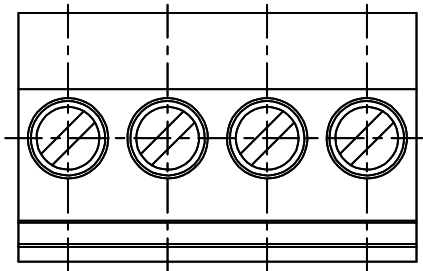
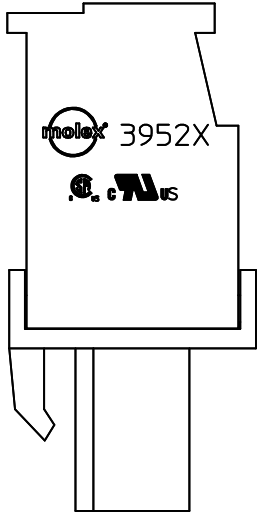
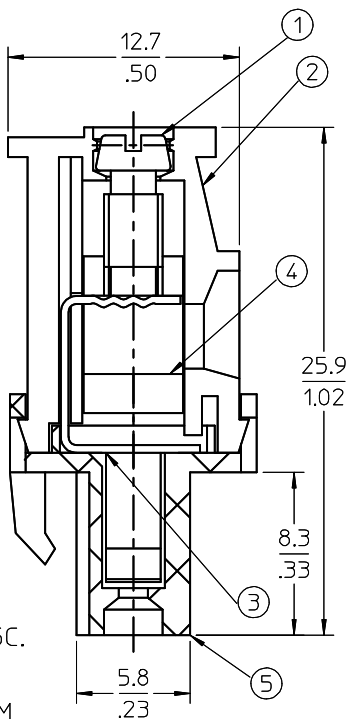


CIRCUITS	P/N	COLOR	IMPRINTING
2	395239000	GREEN	SEE SHEET 2
2	395239001	GREEN	SEE SHEET 2
4	395239002	GREEN	SEE SHEET 2
5	395239003	GREEN	SEE SHEET 2
6	395239004	GREEN	SEE SHEET 2
7	395239005	GREEN	SEE SHEET 2

CUSTOMER PRODUCTION APPROVAL
 APPROVED BY: _____
 DATE: _____
 MUST BE SIGNED AND RETURNED BEFORE
 PRODUCTION WILL BEGIN.



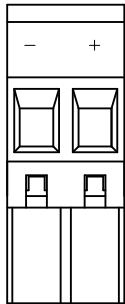
SPECIFICATIONS:

- Material:
 - Screw: Steel
 - Cover: PA66
 - Terminal: Phosphor Bronze
 - Cage: Brass
 - Body: PA66
- Wire range: 12 - 26 AWG
- Electrical rating: 300V, 15A.
- Wire strip length: 5.0mm.
- Operating temperature: -40C to +105C.
- Max torque: 5 In Lbs.
- Insulation resistance: DC 500V, 500M.
- Dielectric withstand: AC 2500V for 1 minute.
- Breakdown voltage: 4000V.
- Contact resistance: <10 mW.
- A = (N x P)
- B = (N - 1) x P
- P (PITCH) = 5.0mm (.197").
- N = Number of positions available 2 through 24.

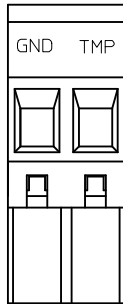
TOLERANCES			
MM	TOL	INCH	TOL
0-6	±0.25	0-.24	±.010
>6-30	±0.40	.24-1.18	±.016
>30-120	±0.50	1.18-4.76	±.020
>120	±0.80	>4.76	±.031

IRPM-T201741599 EC NO: IPG2018-0096 DRWN: ABENJAMINLW 2017/08/23 CHKD: APPR: BRUPERT 2017/08/30 REV DESCRIPTION	QUALITY SYMBOLS	GENERAL TOLERANCES (UNLESS SPECIFIED)	DIMENSION STYLE	SCALE	DESIGN UNITS	THIRD ANGLE PROJECTION										
	$\nabla=0$ $\nabla=0$	<table border="1"> <tr> <th>mm</th> <th>INCH</th> </tr> <tr> <td>4 PLACES ±---</td> <td>±---</td> </tr> <tr> <td>3 PLACES ±---</td> <td>±---</td> </tr> <tr> <td>2 PLACES ±---</td> <td>±---</td> </tr> <tr> <td>1 PLACE ±---</td> <td>±---</td> </tr> </table>	mm	INCH	4 PLACES ±---	±---	3 PLACES ±---	±---	2 PLACES ±---	±---	1 PLACE ±---	±---	MM/IN	4:1	INCH	
	mm	INCH														
	4 PLACES ±---	±---														
3 PLACES ±---	±---															
2 PLACES ±---	±---															
1 PLACE ±---	±---															
DRAFT WHERE APPLICABLE MUST REMAIN WITHIN DIMENSIONS	DRAWN BY: ABENJAMINLW DATE: 2017/08/23 CHECKED BY: _____ DATE: _____ APPROVED BY: BRUPERT DATE: 2017/08/30 MATERIAL NO.	SEE CHART SIZE B	TITLE: 5.0MM, EURO PLUG, VERT, REAR WIRE ENTRY W/ SPCL IMPRINTING Molex MOLEX INCORPORATED DOCUMENT NO. RSD-39523-001	SHEET NO. 1 OF 2												

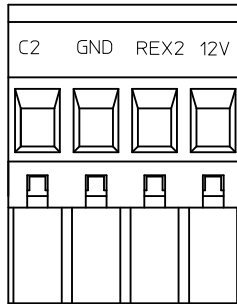
IMPRINTING CHART



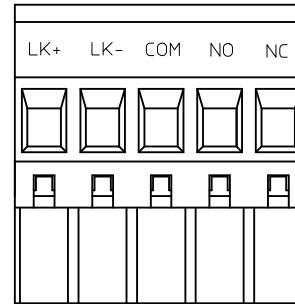
395239000



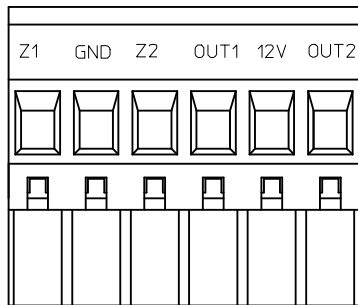
395239001



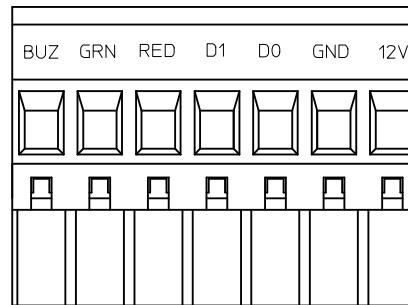
395239002



395239003



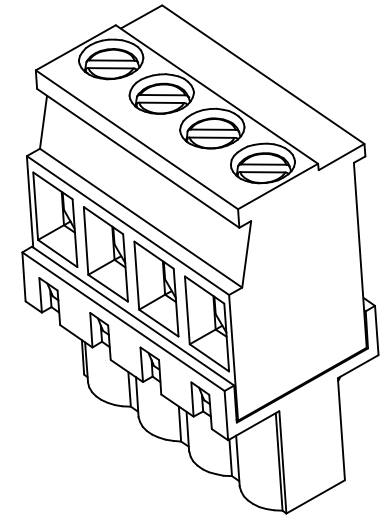
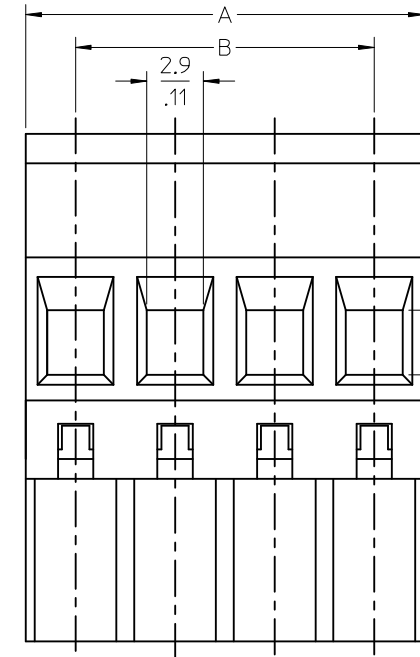
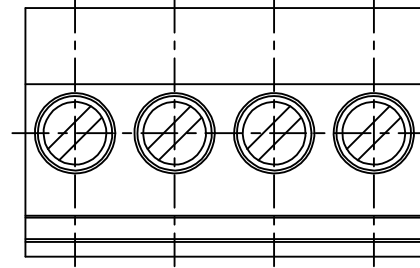
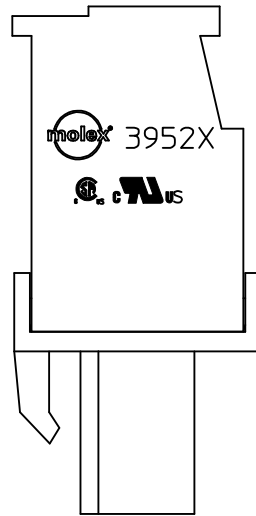
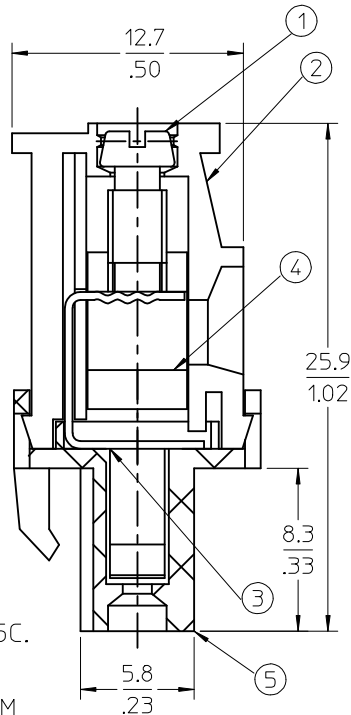
395239004



395239005

RPM-T201741599 EC NO: IPG2018-0096 DRWN: ABENJAMINLW 2017/08/23 CHKD: APPR: BRUPERT 2017/08/30 REV A	QUALITY SYMBOLS $F_A=0$ $F_G=0$ $F_P=0$	GENERAL TOLERANCES (UNLESS SPECIFIED) mm INCH 4 PLACES ± --- ± --- 3 PLACES ± --- ± --- 2 PLACES ± --- ± --- 1 PLACE ± --- ± --- 0 PLACE ± ±	DIMENSION STYLE MM/IN DRAWN BY ABENJAMINLW DATE 2017/08/23 CHECKED BY DATE	SCALE 2:1 DESIGN UNITS INCH THIRD ANGLE PROJECTION	TITLE 5.0MM, EURO PLUG, VERT, REAR WIRE ENTRY W/ SPCL IMPRINTING molex	SHEET NO. 2 OF 2
	DRAFT WHERE APPLICABLE MUST REMAIN WITHIN DIMENSIONS	APPROVED BY BRUPERT DATE 2017/08/30 MATERIAL NO.	SEE CHART	DOCUMENT NO. RSD-39523-001		
	THIS DRAWING CONTAINS INFORMATION THAT IS PROPRIETARY TO MOLEX INCORPORATED AND SHOULD NOT BE USED WITHOUT WRITTEN PERMISSION					

10 9 8 7 6 5 4 3 2 1



SPECIFICATIONS:

1. Material:
 - (1). Screw: Steel
 - (2). Cover: PA66
 - (3). Terminal: Phosphor Bronze
 - (4). Cage: Brass
 - (5). Body: PA66
2. Wire range: 12 - 26 AWG
3. Electrical rating: 300V, 15A.
4. Wire strip length: 5.0mm.
5. Operating temperature: -40C to +105C.
6. Max torque: 5 In Lbs.
7. Insulation resistance: DC 500V, 500M.
8. Dielectric withstand: AC 2500V for 1 minute.
9. Breakdown voltage: 4000V.
10. Contact resistance: <10 mW.
11. A = (N x P)
12. B = (N - 1) x P
13. P (PITCH) = 5.0mm (.197").
14. N = Number of positions available 2 through 24.

TOLERANCES			
MM	TOL	INCH	TOL
0-6	±0.25	0-.24	±.010
>6-30	±0.40	.24-1.18	±.016
>30-120	±0.50	1.18-4.76	±.020
>120	±0.80	>4.76	±.031

REVISED DOC TITLE EC NO: IPG2018-0122 2017/08/22 DR/MNRKIVADAR CHKD: APPR:BRUPERT 2017/08/24 REV DESCRIPTION	QUALITY SYMBOLS ▽=0 ▽=0	GENERAL TOLERANCES (UNLESS SPECIFIED) mm INCH 4 PLACES ±--- ±--- 3 PLACES ±--- ±--- 2 PLACES ±--- ±--- 1 PLACE ±--- ±--- ANGULAR ±---°	DIMENSION STYLE MM/IN DRAWN BY LROTHAUS DATE 12/6/05 CHECKED BY C. YORK DATE 01/06/06 APPROVED BY DATE	SCALE 4:1 DESIGN UNITS INCH THIRD ANGLE PROJECTION
	DRAFT WHERE APPLICABLE MUST REMAIN WITHIN DIMENSIONS		MATERIAL NO. SEE CHART SIZE B	TITLE 5.0MM, EURO PLUG, VERTICAL, REAR WIRE ENTRY MOLEX MOLEX INCORPORATED DOCUMENT NO. SD-39523-002 SHEET NO. 1 OF 1
	THIS DRAWING CONTAINS INFORMATION THAT IS PROPRIETARY TO MOLEX INCORPORATED AND SHOULD NOT BE USED WITHOUT WRITTEN PERMISSION			
	A3			

9 8 7 6 5 4 3 2 1

Description	Circuit Size	Material Numbers												Dimensional Information				
		Black						Green						Dim. A		Dim. B		
		100% Tin			30 u" Gold			100% Tin			30 u" Gold			mm	inch	mm	inch	
		None	10AV	11AV	None	10AV	11AV	None	10AV	11AV	None	10AV	11AV					
5.0mm Euro Plug, Vertical, Front Wire Entry	2	395232002	395232012	395232402	395232502	395232602	395232702	395232802	395232902	395233002	395233102	395233202	395233302	395233402	10.00	0.394	5.00	0.197
5.0mm Euro Plug, Vertical, Front Wire Entry	3	395232003	395232303	395232403	395232503	395232603	395232703	395232803	395232903	395233003	395233103	395233203	395233303	395233403	15.00	0.591	10.00	0.394
5.0mm Euro Plug, Vertical, Front Wire Entry	4	395232004	395232304	395232404	395232504	395232604	395232704	395232804	395232904	395233004	395233104	395233204	395233304	395233404	20.00	0.787	15.00	0.591
5.0mm Euro Plug, Vertical, Front Wire Entry	5	395232005	395232305	395232405	395232505	395232605	395232705	395232805	395232905	395233005	395233105	395233205	395233305	395233405	25.00	0.984	20.00	0.787
5.0mm Euro Plug, Vertical, Front Wire Entry	6	395232006	395232306	395232406	395232506	395232606	395232706	395232806	395232906	395233006	395233106	395233206	395233306	395233406	30.00	1.181	25.00	0.984
5.0mm Euro Plug, Vertical, Front Wire Entry	7	395232007	395232307	395232407	395232507	395232607	395232707	395232807	395232907	395233007	395233107	395233207	395233307	395233407	35.00	1.378	30.00	1.181
5.0mm Euro Plug, Vertical, Front Wire Entry	8	395232008	395232308	395232408	395232508	395232608	395232708	395232808	395232908	395233008	395233108	395233208	395233308	395233408	40.00	1.575	35.00	1.378
5.0mm Euro Plug, Vertical, Front Wire Entry	9	395232009	395232309	395232409	395232509	395232609	395232709	395232809	395232909	395233009	395233109	395233209	395233309	395233409	45.00	1.772	40.00	1.575
5.0mm Euro Plug, Vertical, Front Wire Entry	10	395232010	395232310	395232410	395232510	395232610	395232710	395232810	395232910	395233010	395233110	395233210	395233310	395233410	50.00	1.969	45.00	1.772
5.0mm Euro Plug, Vertical, Front Wire Entry	11	395232011	395232311	395232411	395232511	395232611	395232711	395232811	395232911	395233011	395233111	395233211	395233311	395233411	55.00	2.166	50.00	1.969
5.0mm Euro Plug, Vertical, Front Wire Entry	12	395232012	395232312	395232412	395232512	395232612	395232712	395232812	395232912	395233012	395233112	395233212	395233312	395233412	60.00	2.362	55.00	2.166
5.0mm Euro Plug, Vertical, Front Wire Entry	13	395232013	395232313	395232413	395232513	395232613	395232713	395232813	395232913	395233013	395233113	395233213	395233313	395233413	65.00	2.559	60.00	2.362
5.0mm Euro Plug, Vertical, Front Wire Entry	14	395232014	395232314	395232414	395232514	395232614	395232714	395232814	395232914	395233014	395233114	395233214	395233314	395233414	70.00	2.756	65.00	2.559
5.0mm Euro Plug, Vertical, Front Wire Entry	15	395232015	395232315	395232415	395232515	395232615	395232715	395232815	395232915	395233015	395233115	395233215	395233315	395233415	75.00	2.953	70.00	2.756
5.0mm Euro Plug, Vertical, Front Wire Entry	16	395232016	395232316	395232416	395232516	395232616	395232716	395232816	395232916	395233016	395233116	395233216	395233316	395233416	80.00	3.150	75.00	2.953
5.0mm Euro Plug, Vertical, Front Wire Entry	17	395232017	395232317	395232417	395232517	395232617	395232717	395232817	395232917	395233017	395233117	395233217	395233317	395233417	85.00	3.348	80.00	3.150
5.0mm Euro Plug, Vertical, Front Wire Entry	18	395232018	395232318	395232418	395232518	395232618	395232718	395232818	395232918	395233018	395233118	395233218	395233318	395233418	90.00	3.545	85.00	3.348
5.0mm Euro Plug, Vertical, Front Wire Entry	19	395232019	395232319	395232419	395232519	395232619	395232719	395232819	395232919	395233019	395233119	395233219	395233319	395233419	95.00	3.742	90.00	3.545
5.0mm Euro Plug, Vertical, Front Wire Entry	20	395232020	395232320	395232420	395232520	395232620	395232720	395232820	395232920	395233020	395233120	395233220	395233320	395233420	100.00	3.939	95.00	3.742
5.0mm Euro Plug, Vertical, Front Wire Entry	21	395232021	395232321	395232421	395232521	395232621	395232721	395232821	395232921	395233021	395233121	395233221	395233321	395233421	105.00	4.136	100.00	3.939
5.0mm Euro Plug, Vertical, Front Wire Entry	22	395232022	395232322	395232422	395232522	395232622	395232722	395232822	395232922	395233022	395233122	395233222	395233322	395233422	110.00	4.333	105.00	4.136
5.0mm Euro Plug, Vertical, Front Wire Entry	23	395232023	395232323	395232423	395232523	395232623	395232723	395232823	395232923	395233023	395233123	395233223	395233323	395233423	115.00	4.529	110.00	4.333
5.0mm Euro Plug, Vertical, Front Wire Entry	24	395232024	395232324	395232424	395232524	395232624	395232724	395232824	395232924	395233024	395233124	395233224	395233324	395233424	120.00	4.726	115.00	4.529

TOLERANCES			
MM	TOL	INCH	TOL
0-6	±0.25	0-.24	±.010
>6-30	±0.40	.24-1.18	±.016
>30-120	±0.50	1.18-4.76	±.020
>120	±0.80	>4.76	±.031

REVISED DOC TITLE
 EC NO: PG2018-0122
 DR: MARIK IVADAR 2017/08/22
 CHKD:
 APPR: BRUPERT 2017/08/24

QUALITY SYMBOLS
 ▽=0
 ▽=0
 A3

GENERAL TOLERANCES (UNLESS SPECIFIED)
 mm INCH
 4 PLACES ± --- ± ---
 3 PLACES ± --- ± ---
 2 PLACES ± --- ± ---
 1 PLACE ± --- ± ---
 ANGULAR ± ---°
 DRAFT WHERE APPLICABLE
 MUST REMAIN WITHIN DIMENSIONS

DIMENSION STYLE
 MM/IN
 DRAWN BY DATE
 LROTHAUS 12/6/05
 CHECKED BY DATE
 C. YORK 01/06/06
 APPROVED BY DATE

SCALE
 DESIGN UNITS
 INCH
 THIRD ANGLE PROJECTION
 5.0MM, EURO PLUG, VERTICAL, REAR WIRE ENTRY
 molex MOLEX INCORPORATED
 MATERIAL NO.
 SEE CHART
 DOCUMENT NO.
 SD-39523-002
 SHEET NO.
 2 OF 2
 THIS DRAWING CONTAINS INFORMATION THAT IS PROPRIETARY TO MOLEX INCORPORATED AND SHOULD NOT BE USED WITHOUT WRITTEN PERMISSION